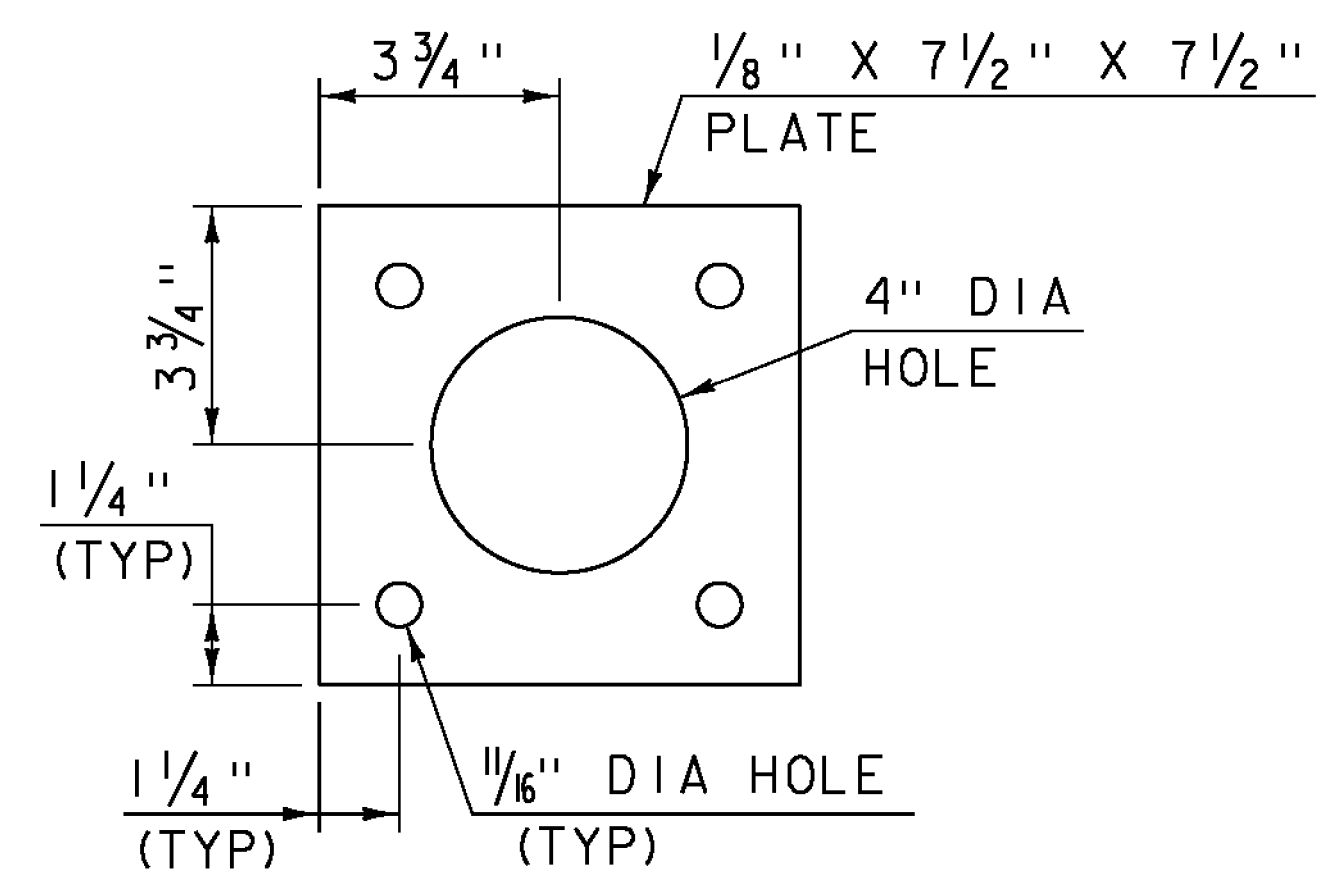
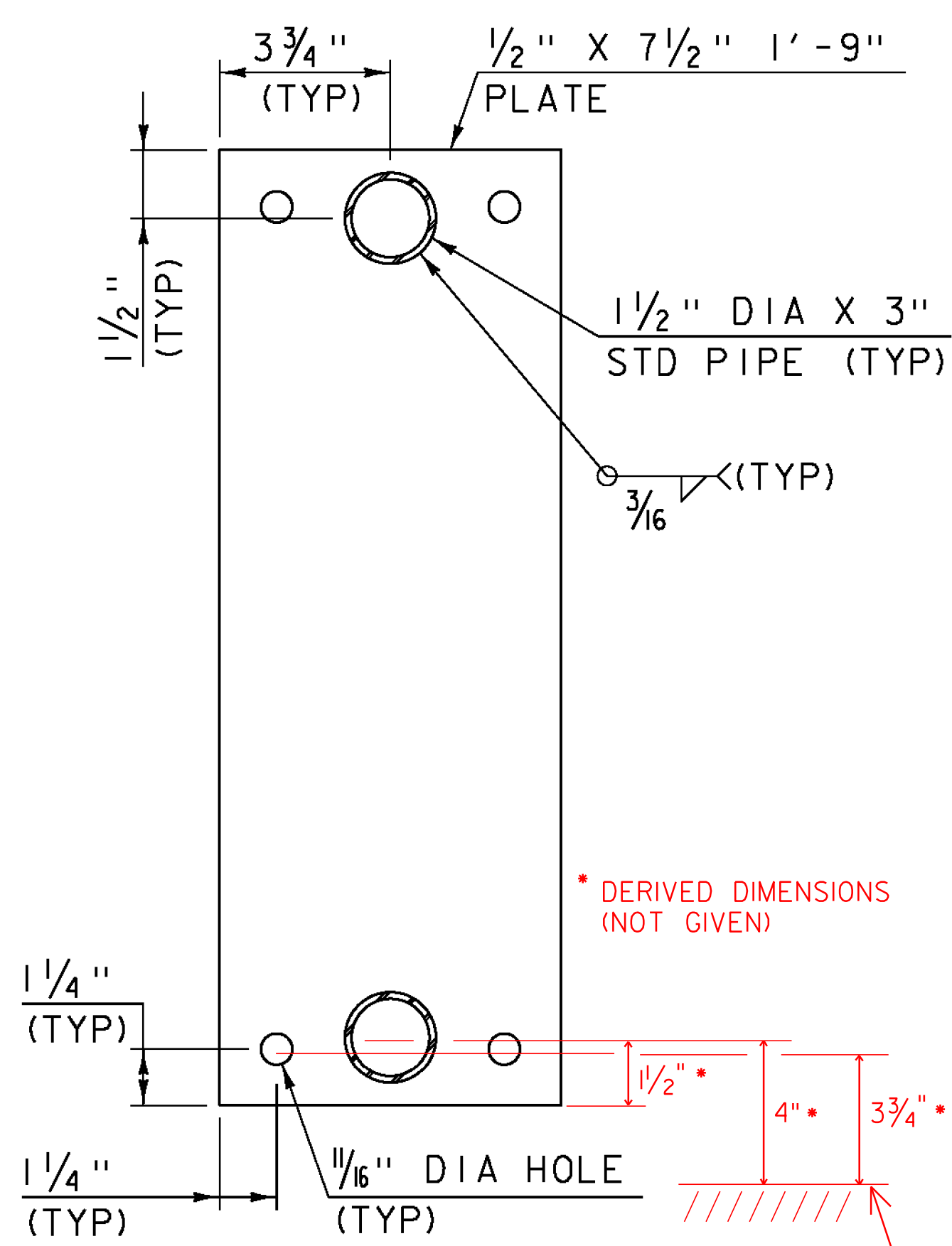


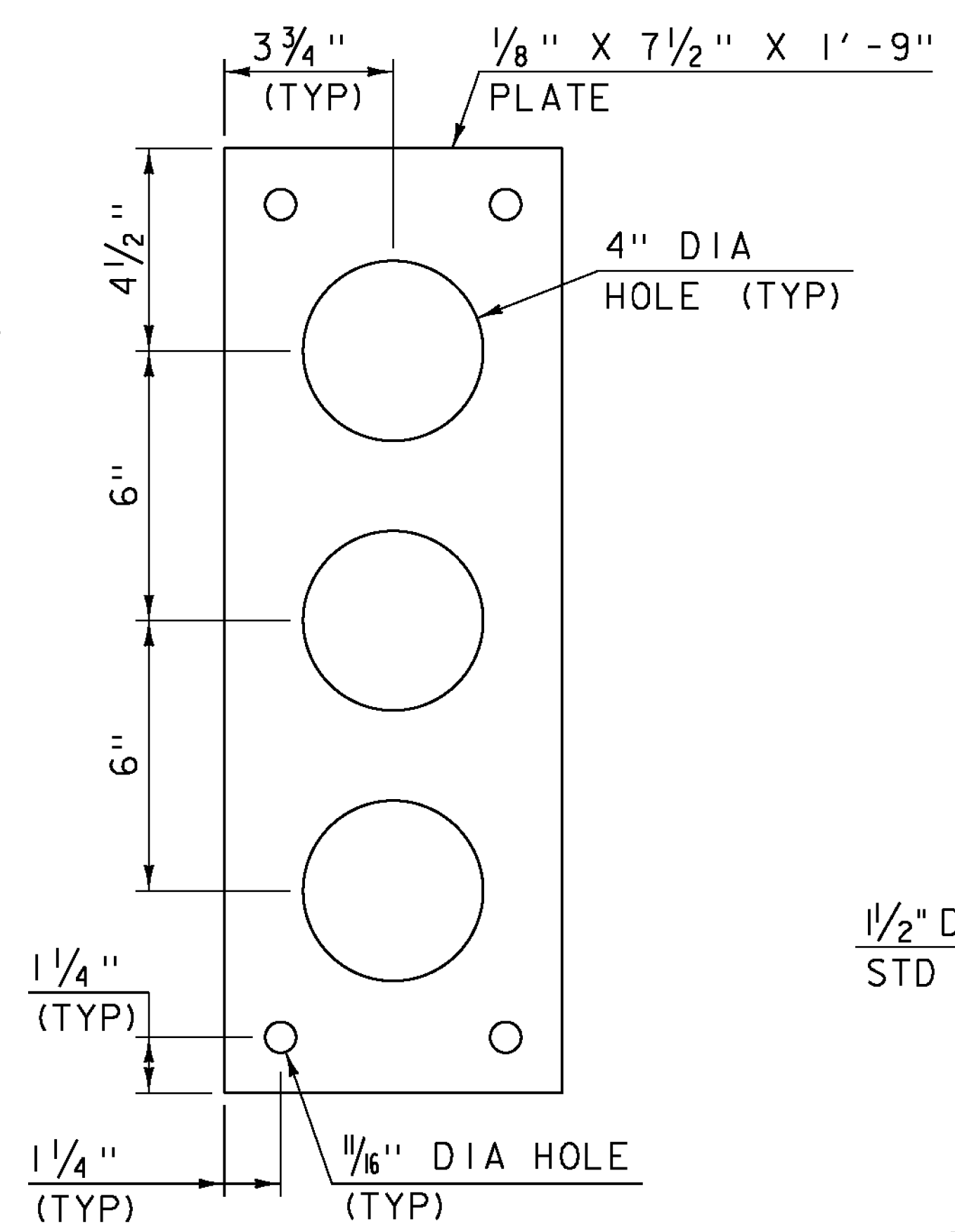
**POST BASE PLATE**  
SCALE: 3" = 1'-0"



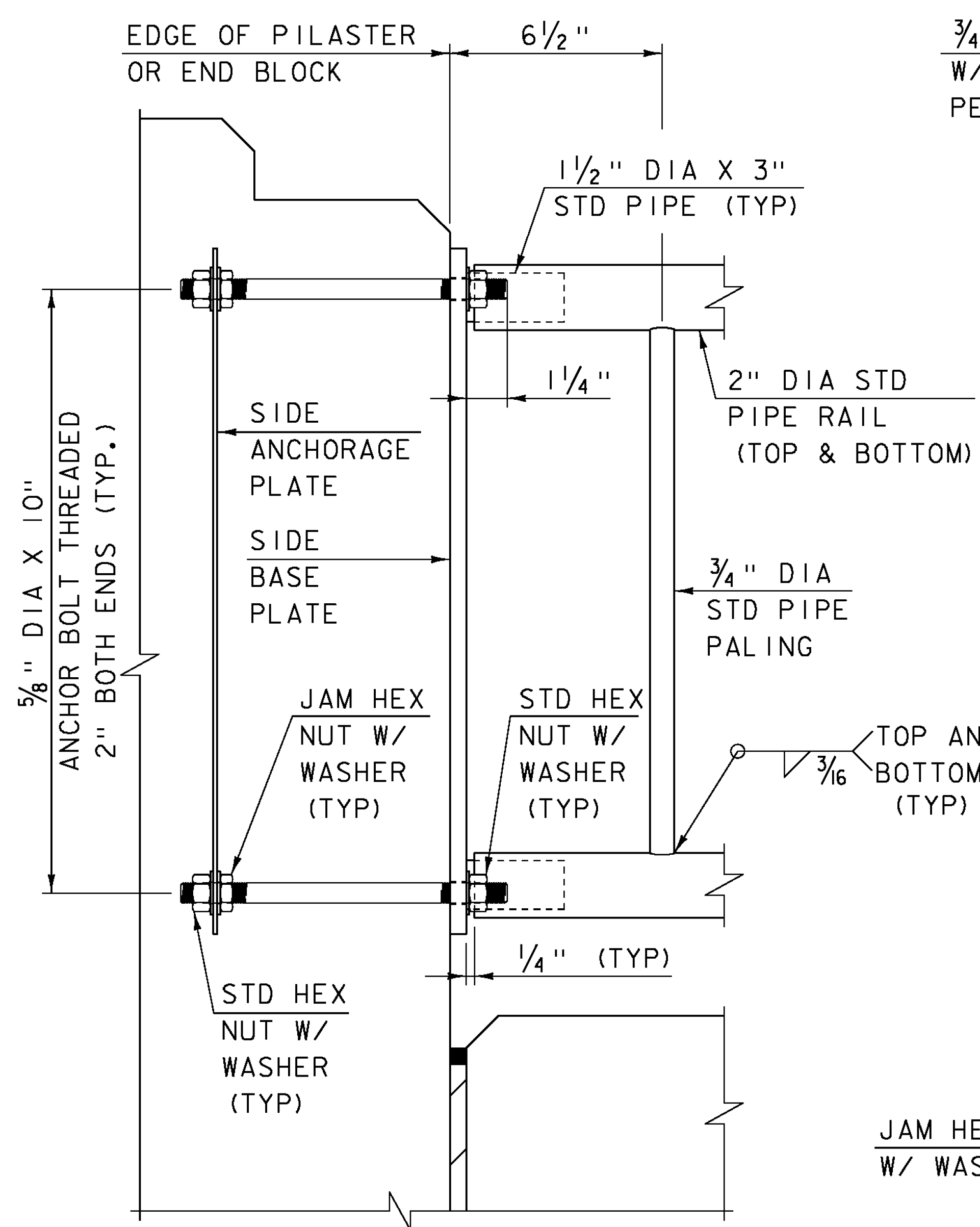
**POST ANCHORAGE PLATE**  
SCALE: 3" = 1'-0"



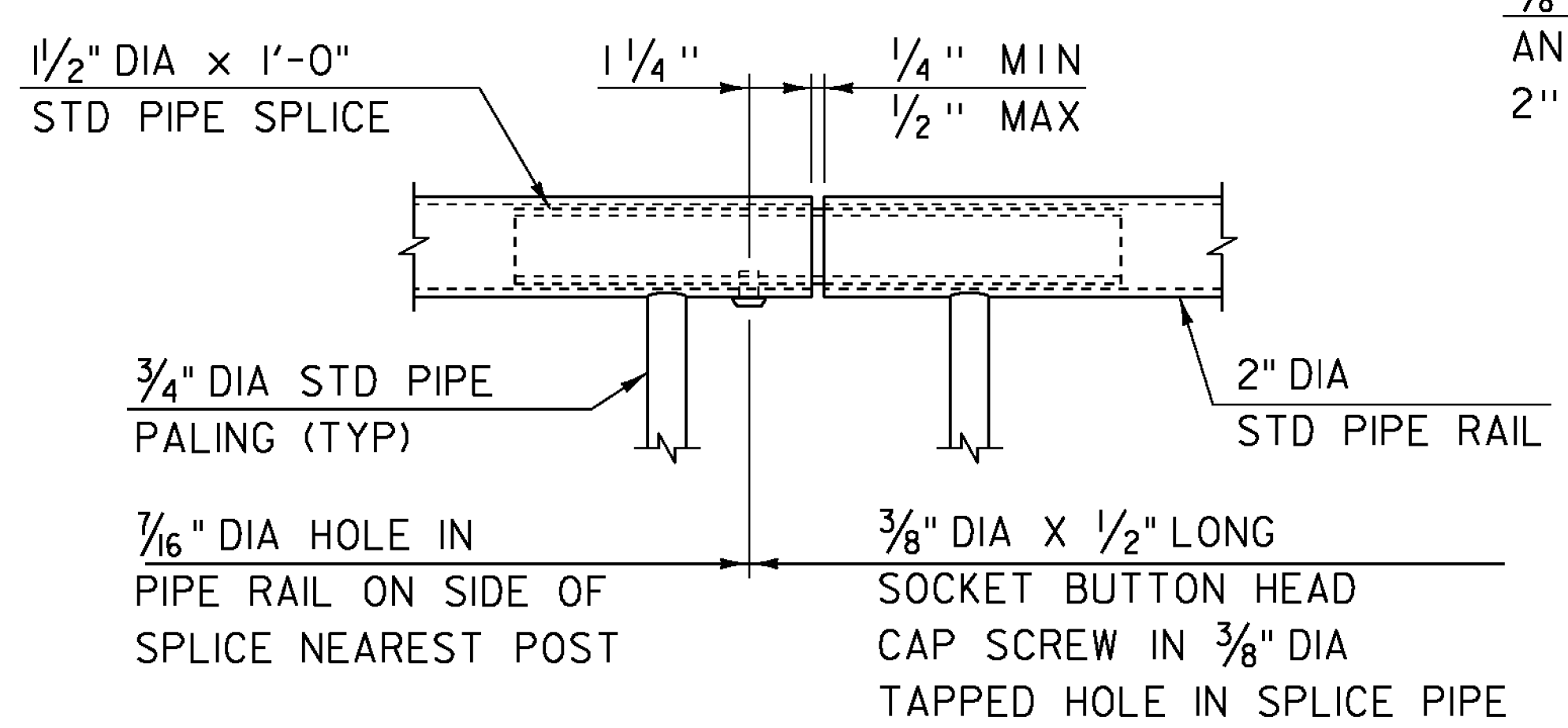
**SIDE BASE PLATE**  
SCALE: 3" = 1'-0"



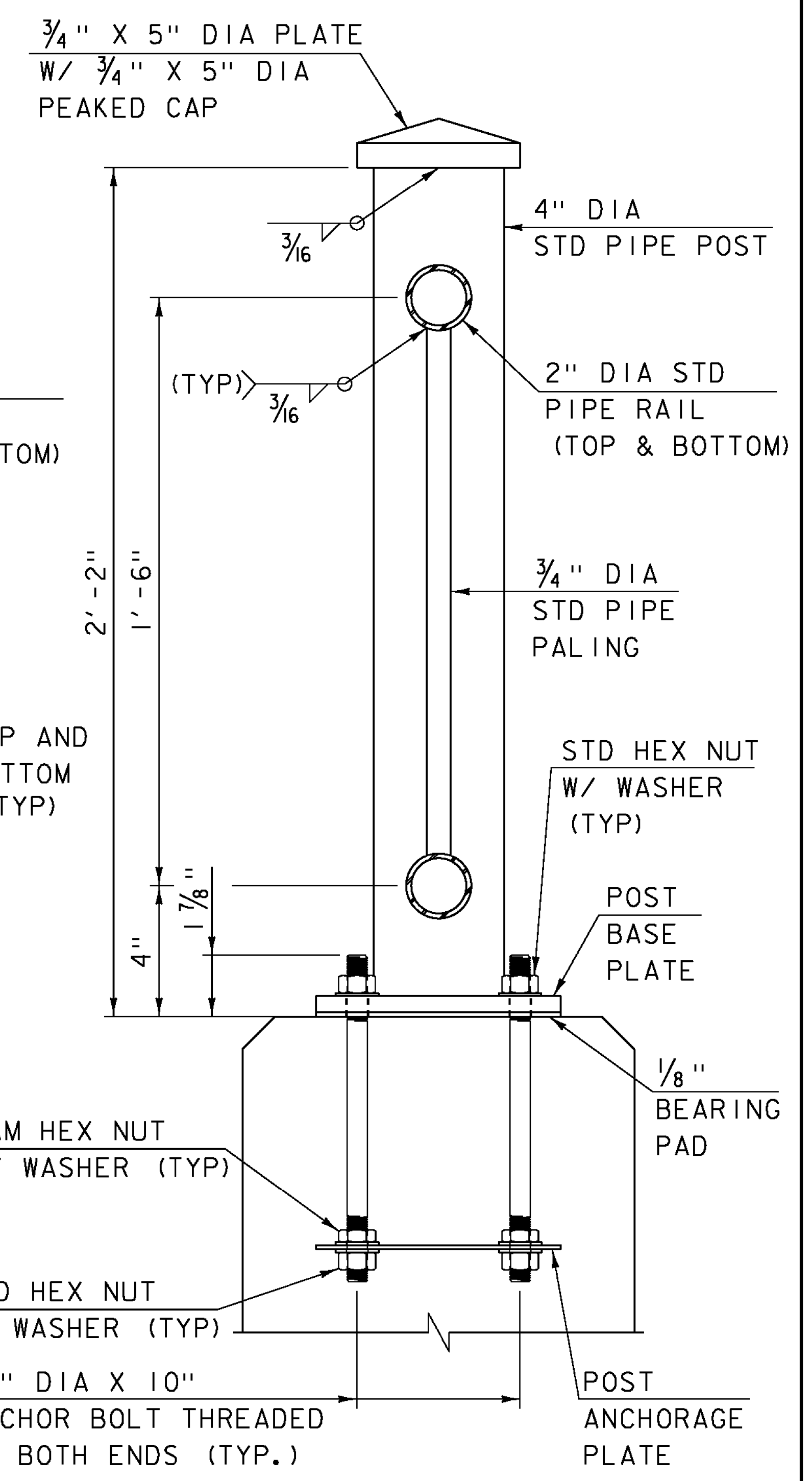
**SIDE ANCHORAGE PLATE**  
SCALE: 3" = 1'-0"



**SIDE PLATE CONNECTION DETAIL**  
SCALE: 3" = 1'-0"



**RAIL SPLICE DETAIL**  
SCALE: 3" = 1'-0"



**METAL RAILING DETAIL**  
SCALE: 3" = 1'-0"

PROJECT NAME: BARRE TOWN	PLOT DATE: 27-SEP-2012
PROJECT NUMBER: BRF 6100(7)	DRAWN BY: G. ROY
FILE NAME: s06j002raildet.dgn	CHECKED BY: J. SALVATORI
PROJECT LEADER: J. LACROIX	SHEET 32 OF 70
DESIGNED BY: G. ROY	
METAL HAND RAILING DETAILS	