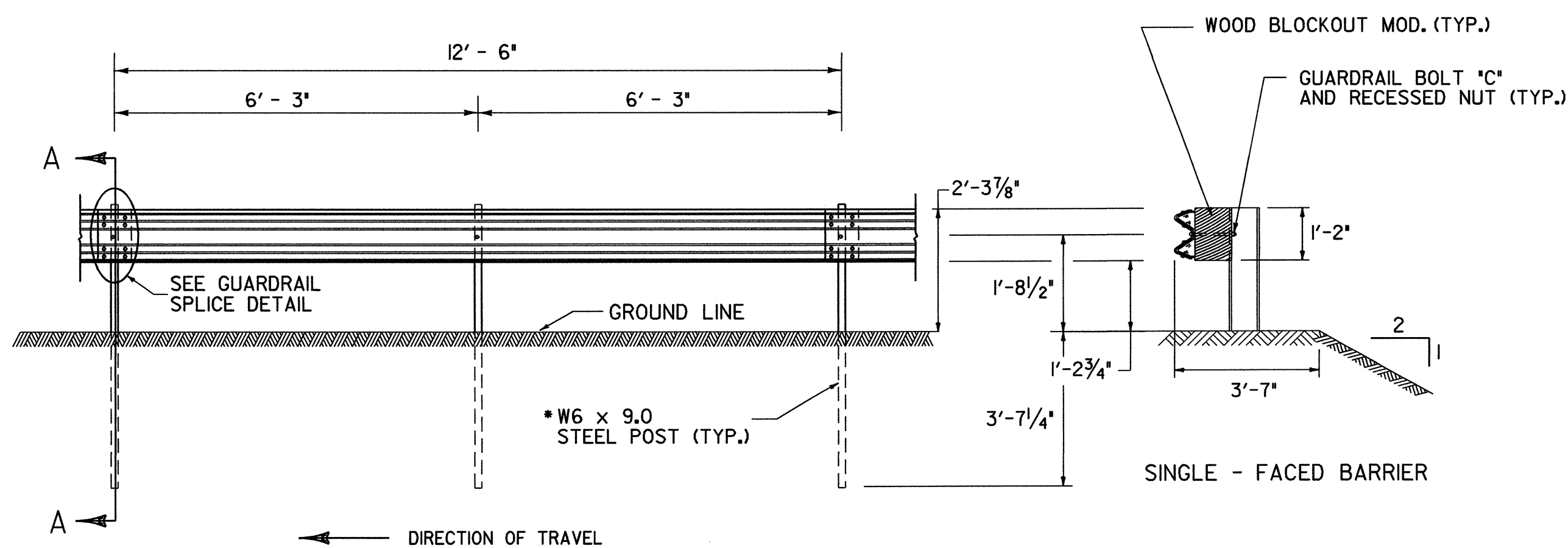
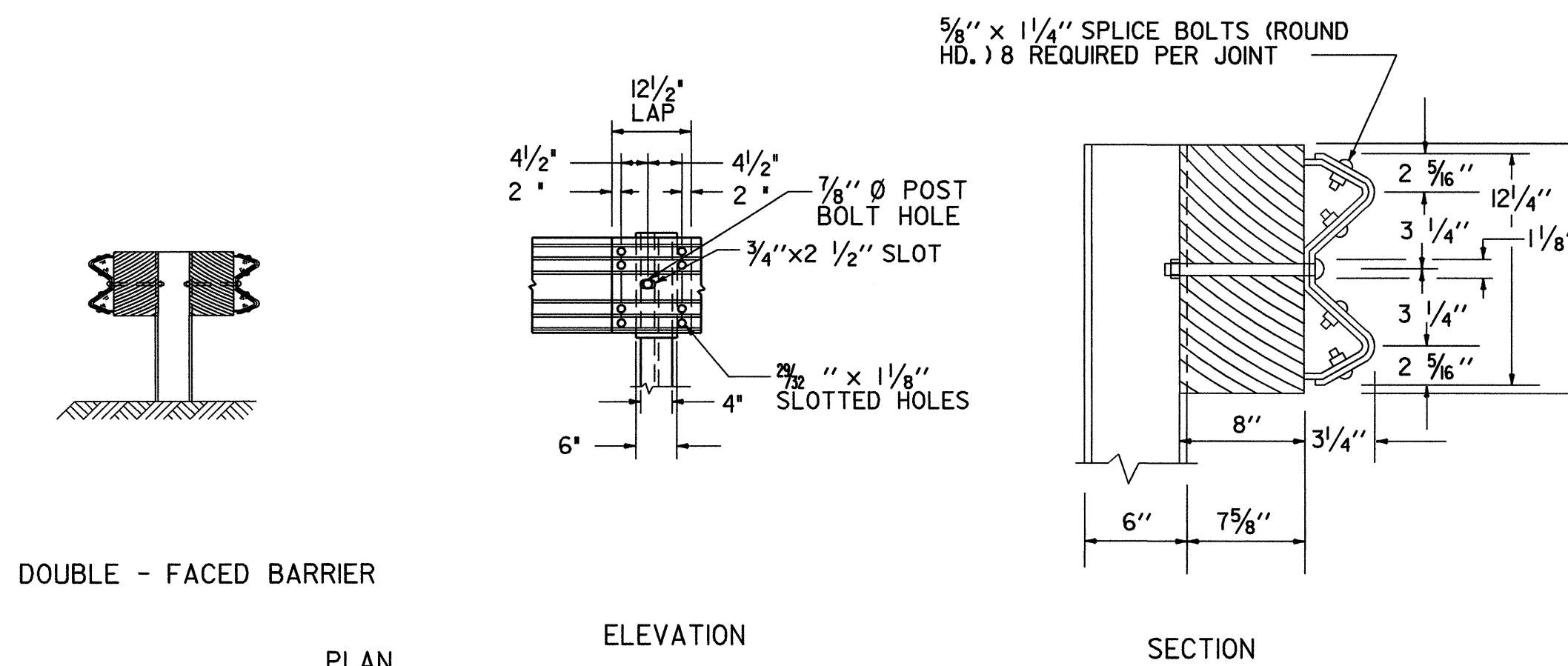


"W" BEAM GUARDRAIL WITH STEEL POSTS

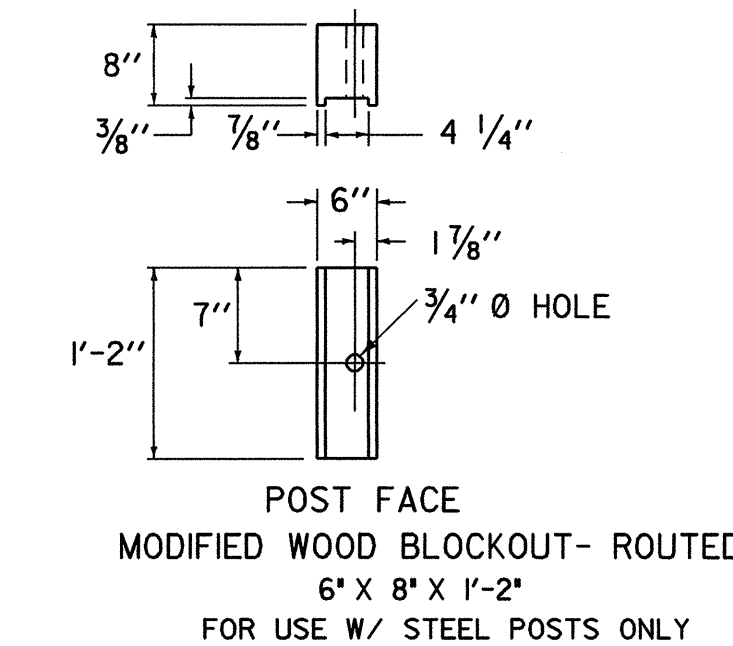


ELEVATION FROM CL OF ROAD

SECTION A - A

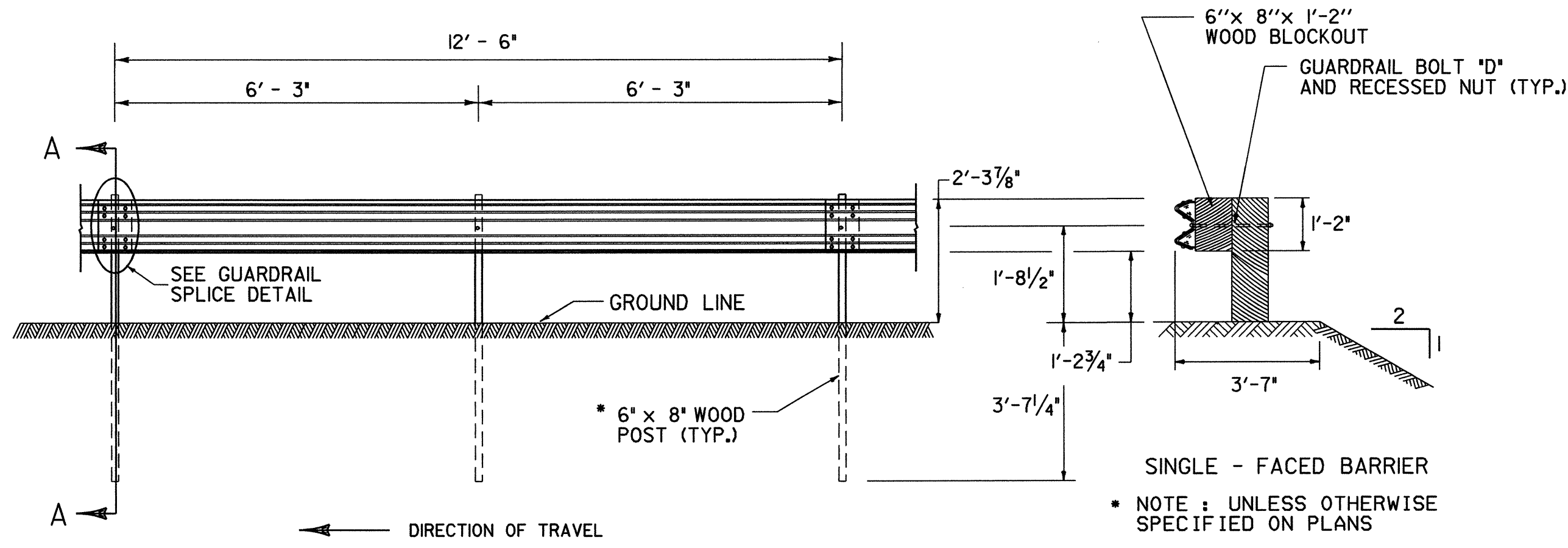


GUARDRAIL SPLICE DETAIL



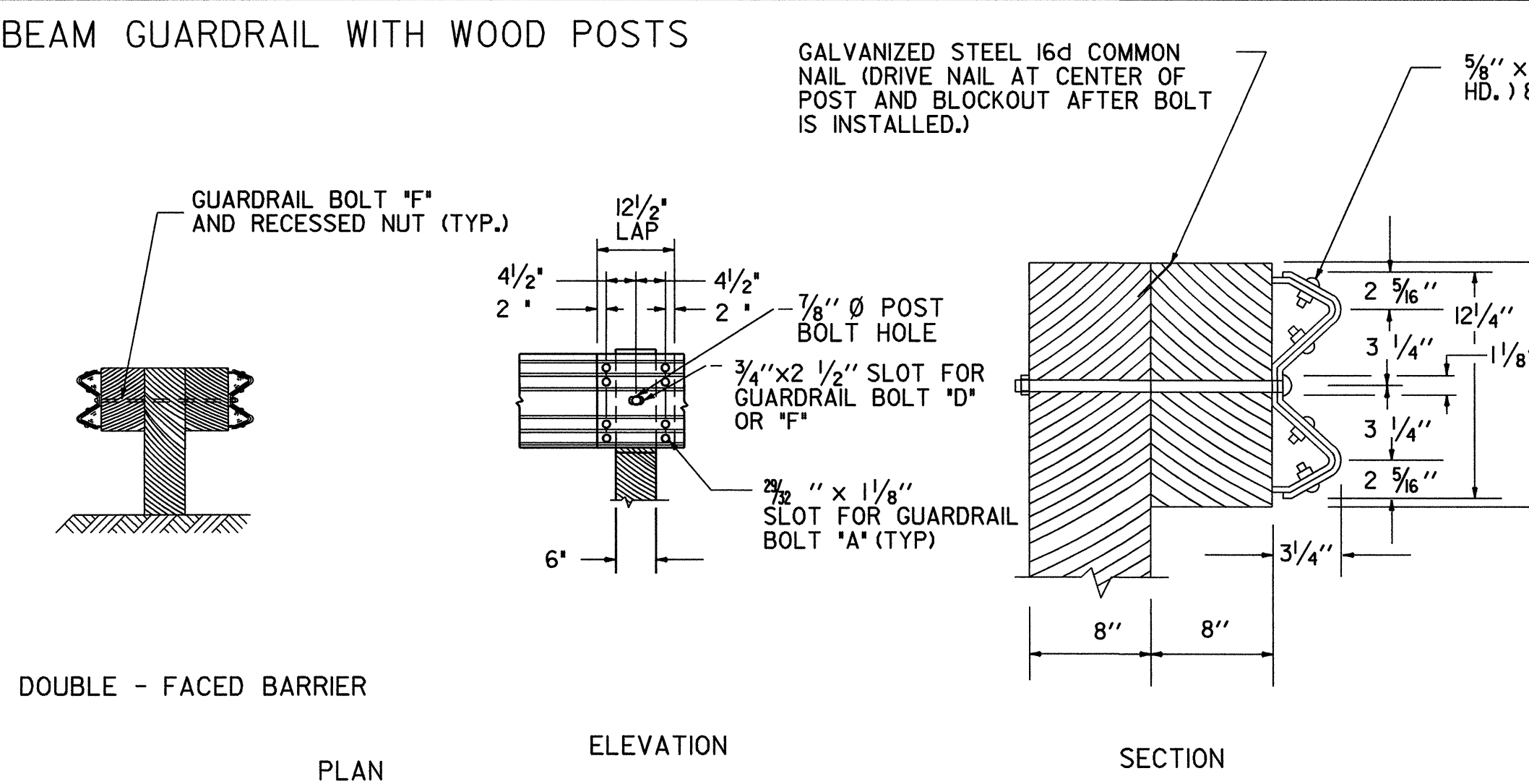
- NOTES:
1. BLOCKS SHALL BE MADE OF TIMBER WITH A STRESS GRADE OF 1200 PSI OR MORE. TESTING SHALL BE IN ACCORDANCE WITH WEST COAST LUMBER INSPECTION BUREAU, SOUTHERN PINE INSPECTION BUREAU OR OTHER APPROPRIATE ASSOCIATION. TIMBER FOR BLOCKS SHALL BE ROUGH SAWN (UNPLANED) WITH DIMENSIONS INDICATED. THE SIZE TOLERANCE OF ROUGH SAWN BLOCKS IN THE DIRECTION OF THE BOLT HOLES SHALL BE NOT MORE THAN +/- 1/4".
 2. SUPPLY WOOD BLOCKS PER AASHTO M 168.
 3. TREAT WITH PRESERVATIVE PER AASHTO M 133.
 4. BLOCKOUTS MAY ALSO BE MADE OF APPROVED ALTERNATIVE MATERIAL.

"W" BEAM GUARDRAIL WITH WOOD POSTS

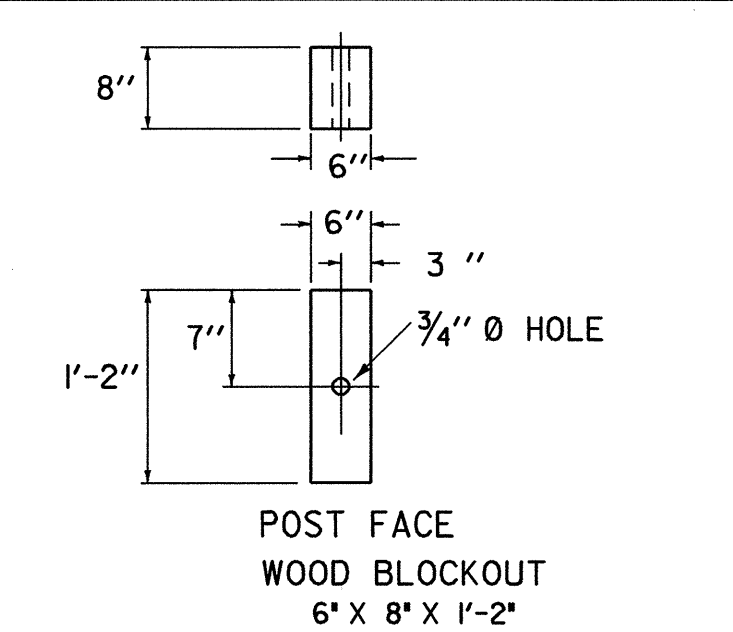


ELEVATION FROM CL OF ROAD

SECTION A - A

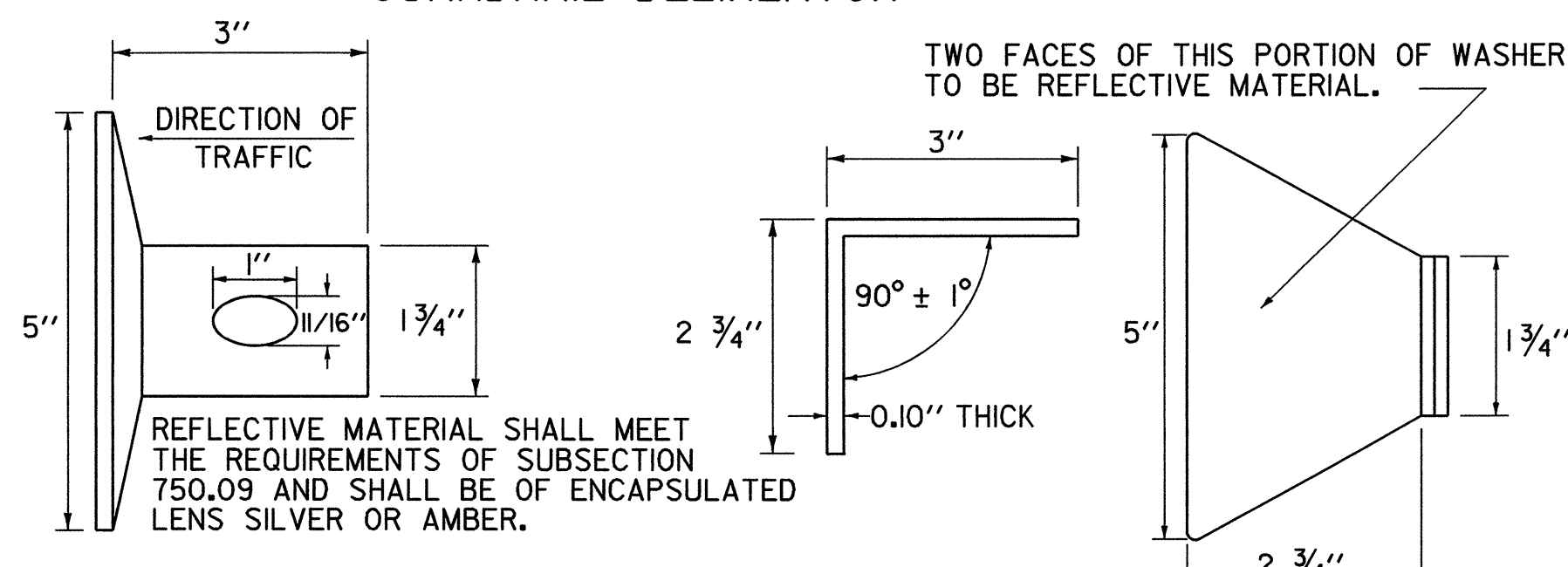


GUARDRAIL SPLICE DETAIL



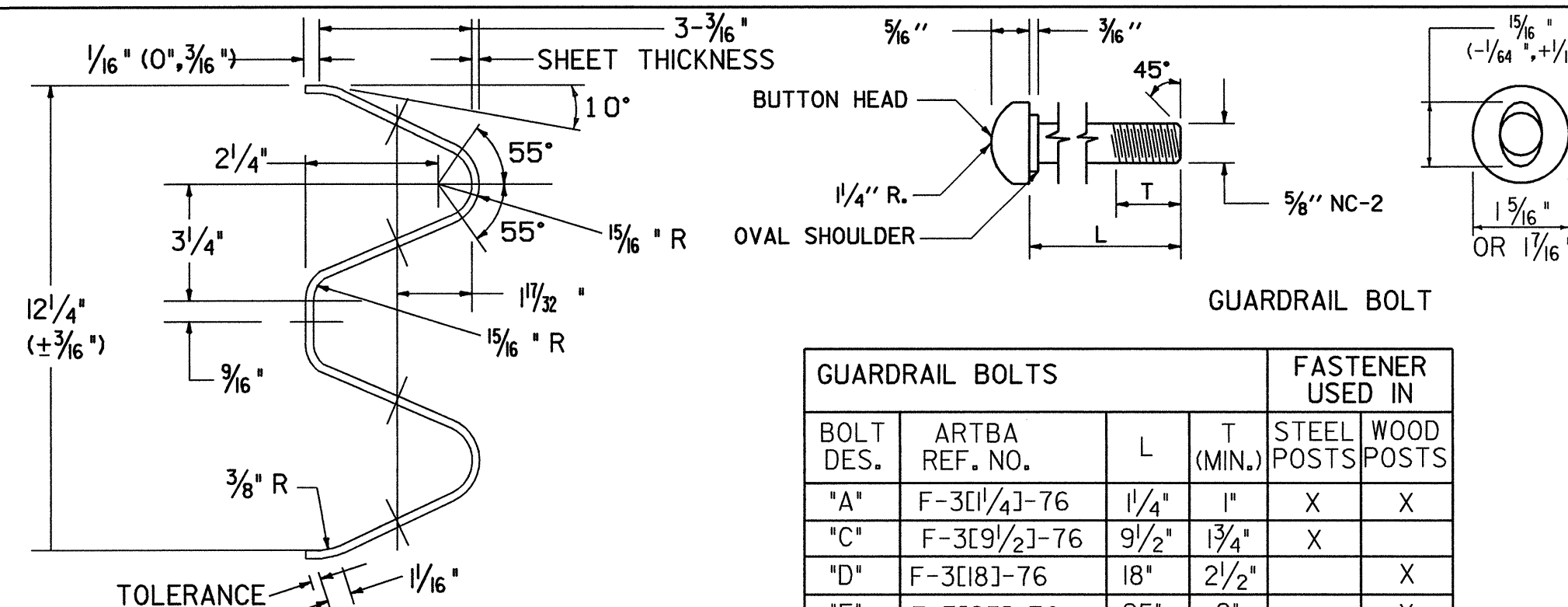
- NOTES:
1. BLOCKS SHALL BE MADE OF TIMBER WITH A STRESS GRADE OF 1200 PSI OR MORE. TESTING SHALL BE IN ACCORDANCE WITH WEST COAST LUMBER INSPECTION BUREAU, SOUTHERN PINE INSPECTION BUREAU OR OTHER APPROPRIATE ASSOCIATION. TIMBER FOR BLOCKS SHALL BE ROUGH SAWN (UNPLANED) WITH DIMENSIONS INDICATED. THE SIZE TOLERANCE OF ROUGH SAWN BLOCKS IN THE DIRECTION OF THE BOLT HOLES SHALL BE NOT MORE THAN +/- 1/4".
 2. SUPPLY WOOD BLOCKS PER AASHTO M 168.
 3. TREAT WITH PRESERVATIVE PER AASHTO M 133.
 4. BLOCKOUTS MAY ALSO BE MADE OF APPROVED ALTERNATIVE MATERIAL.

GUARDRAIL DELINEATOR



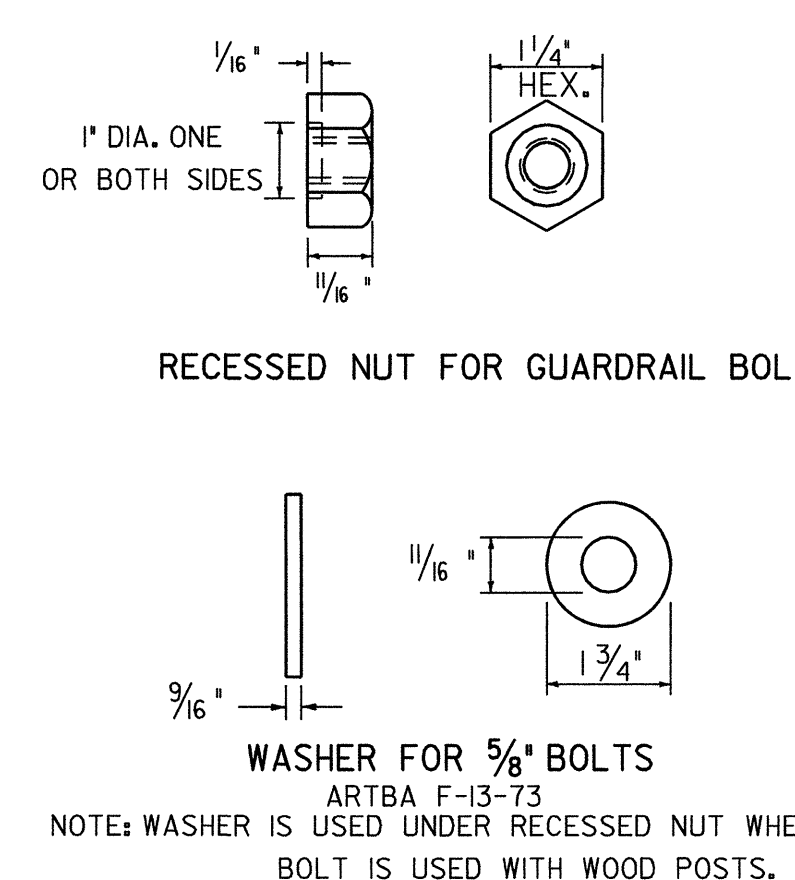
REFLECTIVE MATERIAL SHALL MEET THE REQUIREMENTS OF SUBSECTION 750.09 AND SHALL BE OF ENCAPSULATED LENS SILVER OR AMBER.

THIS REFLECTORIZED ALUMINUM WASHER IS TO BE PLACED IN VALLEY OF BEAM WHEN MOUNTING BEAM ONTO EACH FIFTH POST. WASHER SHALL MEET SPECIFICATION REQUIREMENTS FOR A.S.T.M. B-209 ALLOY 5052-H32



ARTBA RE-3[206'-3"]=12'-6" CLASS A, TYPE IJ-73 TYPICAL GUARDRAIL SECTION

GUARDRAIL BOLTS		FASTENER USED IN	
BOLT DES.	ARTBA REF. NO.	L (MIN.)	STEEL WOOD POSTS
A	F-3[1/4]-76	1 1/4"	X X
C	F-3[9/2]-76	9/2"	X
D	F-3[18]-76	18"	2/2"
F	F-3[25]-76	25"	2"



- GENERAL NOTES:
1. GUARDRAIL SHALL MEET THE REQUIREMENTS OF AASHTO M 180, CLASS A, TYPE I, UNLESS OTHERWISE DESIGNATED
 2. GUARDRAIL SHALL BE SINGLE FACED UNLESS OTHERWISE DESIGNATED
 3. GUARDRAIL SECTIONS SHALL BE LAPPED IN THE DIRECTION OF TRAFFIC FLOW FOR THE LANE NEAREST THE GUARDRAIL.
 4. FOR DESCRIPTION AND SPECIFICATION OF PARTS IDENTIFIED BY (ARTBA ...) AND OTHER DETAILS OF BOLTS, POST ACCESSORIES, FASTENERS & RAIL ELEMENTS, SEE AASHTO-AGC-ARTBA JOINT TASK FORCE NO. 13, TITLED "A GUIDE TO STANDARDIZED HIGHWAY BARRIER HARDWARE", LATEST EDITION.
 5. STANDARD STEEL BEAM TO BE 1/8" AND THE HEAVY DUTY TO BE 3/8" THICK.

OTHER STANDARD REQUIRED G-1d

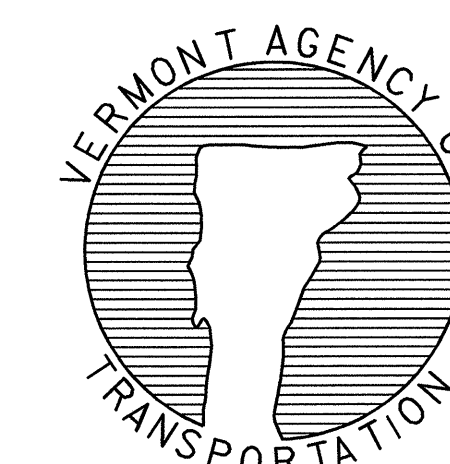
REVISIONS AND CORRECTIONS
 JUNE 1, 1994 - REISSUED, WITHOUT CHANGE, UNDER NEW SIGNATURES.
 JAN. 3, 2000 - UPDATED TO REFLECT METRIC STD. CHANGES

APPROVED

[Signature]
 DIRECTOR OF PROJECT DEVELOPMENT

[Signature]
 ROADWAY AND TRAFFIC DESIGN ENGINEER

STEEL BEAM GUARDRAIL WITH STEEL POSTS
 STEEL BEAM GUARDRAIL WITH WOOD POSTS



STANDARD
 G-1