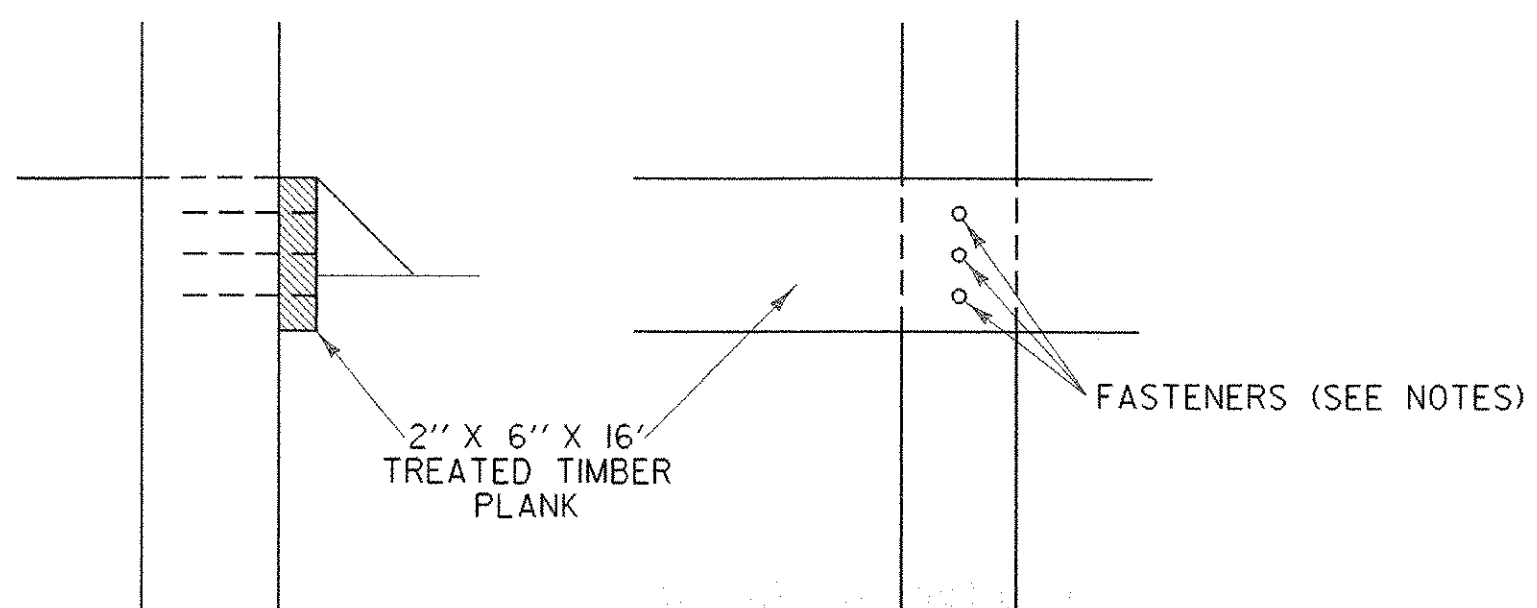
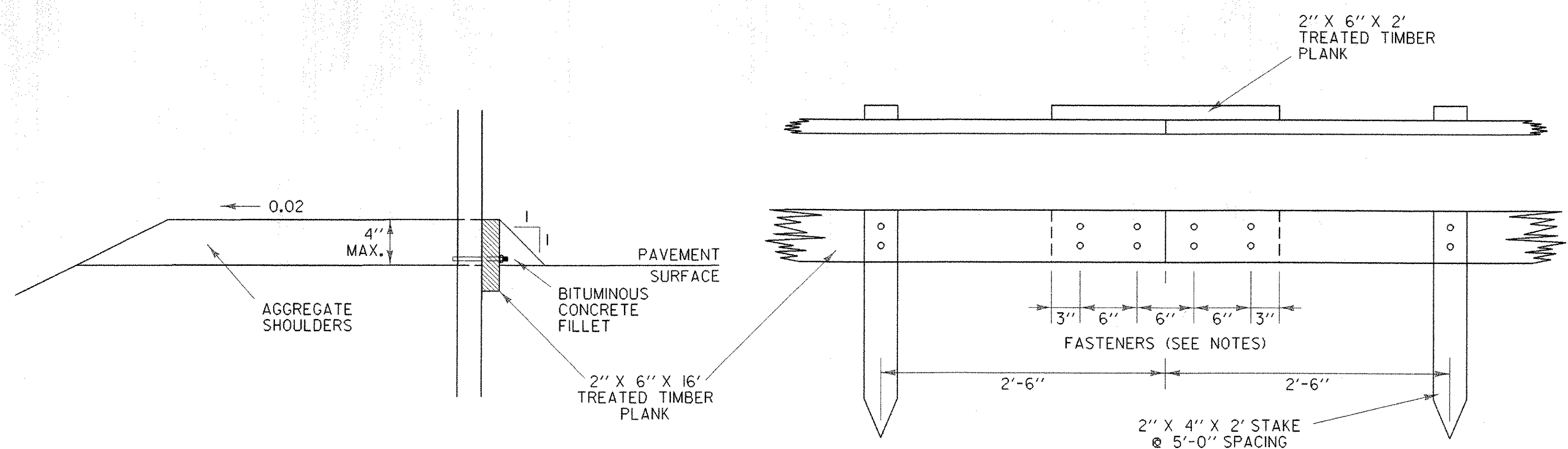


U-BOLT SHAPED TO FIT ANY DESIGNATED STEEL POST

WITH STEEL POSTS



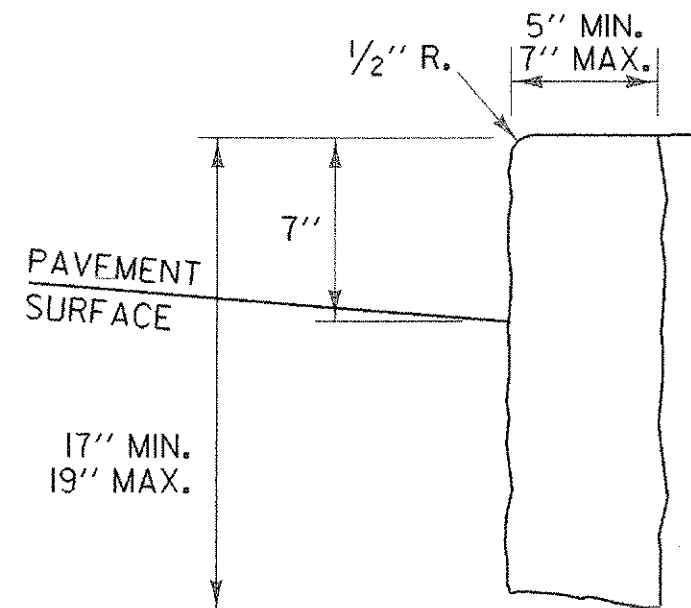
WITH WOOD POSTS (EXISTING CONDITION)



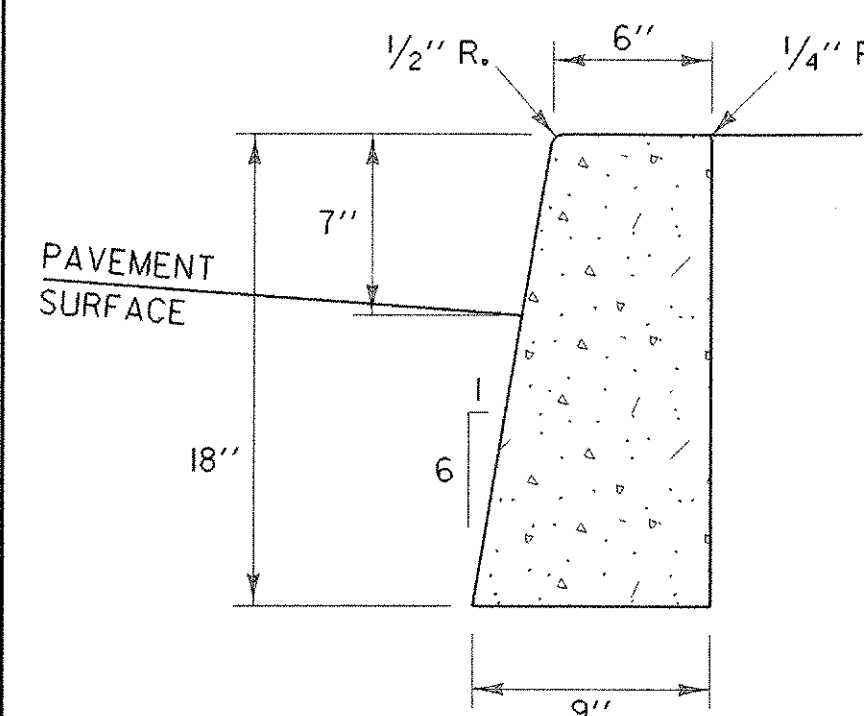
BITUMINOUS CONCRETE FILLET DETAIL

TREATED TIMBER CURB

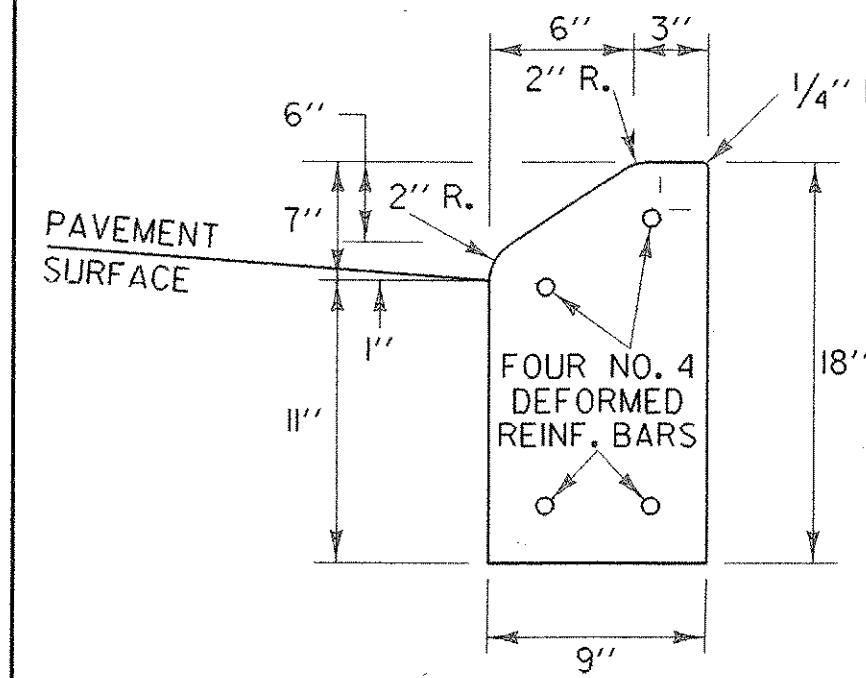
SPLICE DETAIL



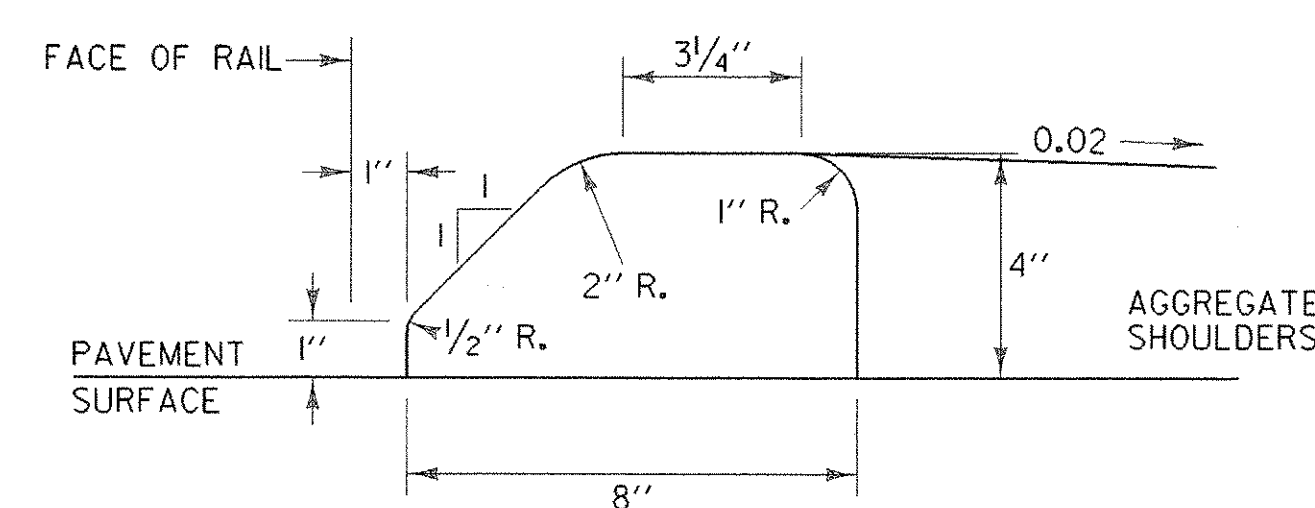
VERTICAL GRANITE CURB



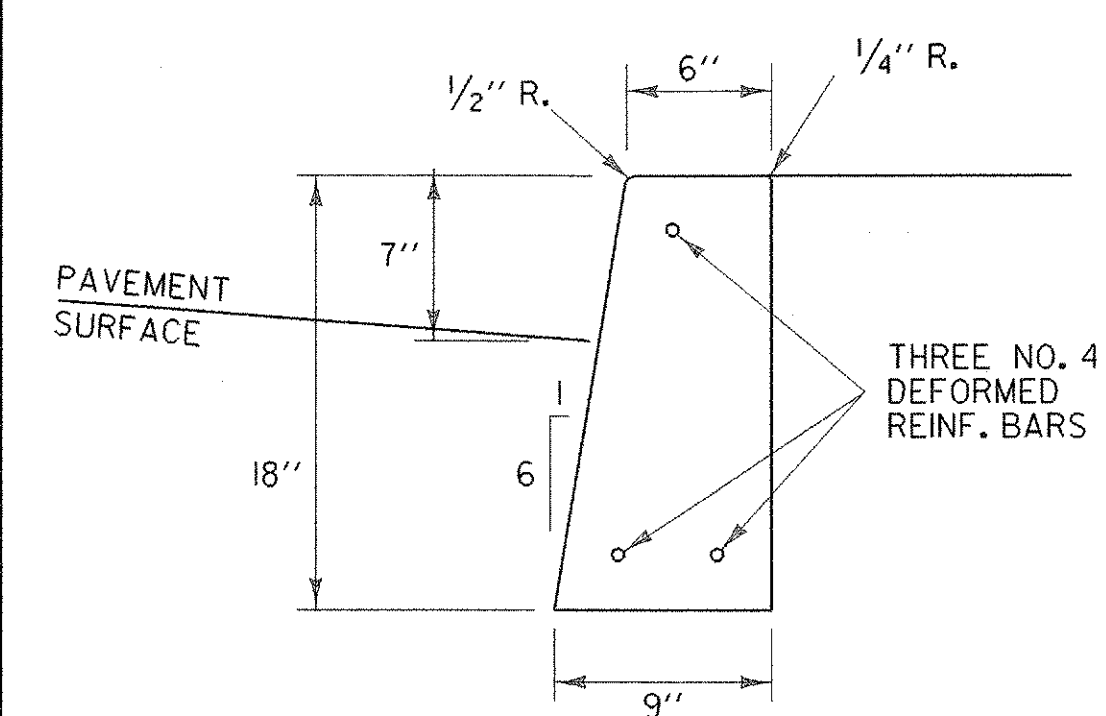
CAST IN PLACE CONCRETE CURB, TYPE B



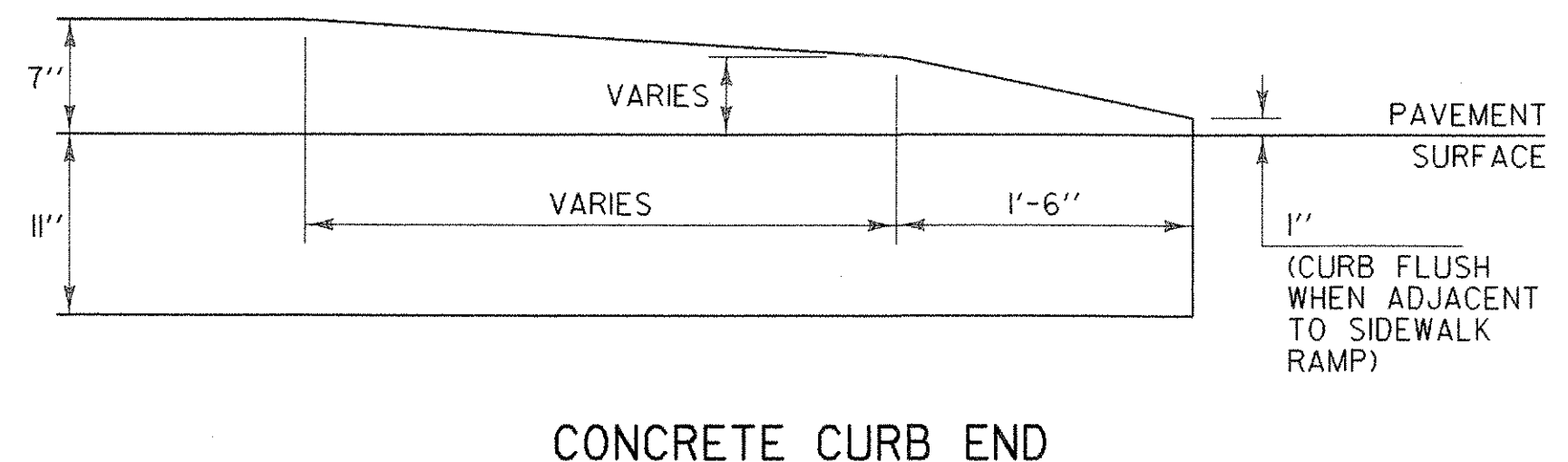
PRECAST REINFORCED CONCRETE CURB, TYPE A



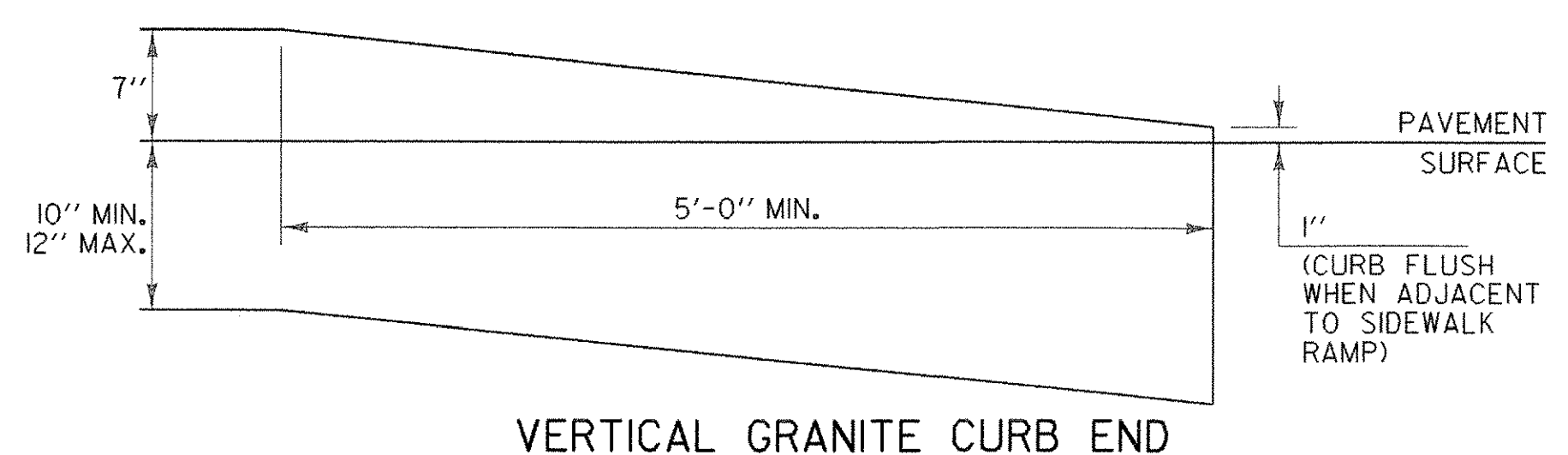
USE ONLY WITH STEEL BEAM GUARDRAIL
BITUMINOUS CONCRETE CURB, TYPE A



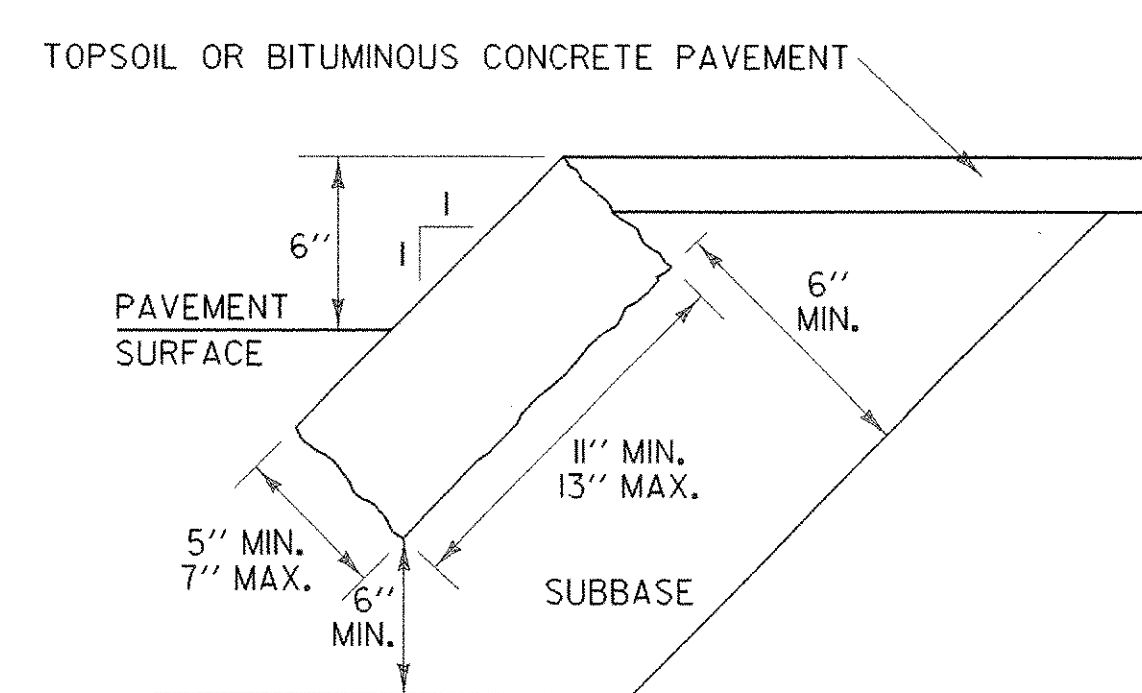
PRECAST REINFORCED CONCRETE CURB, TYPE B



CONCRETE CURB END



VERTICAL GRANITE CURB END



GRANITE SLOPE EDGING

GENERAL NOTES:

- HEIGHT OF REVEAL OF CURB SHALL NOT EXCEED FOUR INCHES WHERE DESIGN OR POSTED SPEED IS EQUAL TO OR GREATER THAN 40 MPH AND WHEN INSTALLED WITH GUARDRAIL (STANDARD SHAPE TO BE BURIED TO THIS DEPTH).
- WHEN CONCRETE SIDEWALK IS CONSTRUCTED ADJACENT TO CONCRETE OR VERTICAL GRANITE CURB, ASPHALT TREATED FELT SHALL BE PLACED BETWEEN THE SIDEWALK AND CURB FOR THE TOTAL DEPTH OF THE SIDEWALK.
- FASTENERS (20d NAILS OR SCREWS) SHALL BE CORROSION RESISTANT TO THE TREATED LUMBER.
- FOR SPECIFICATIONS FOR EXPANSION/CONTRACTION JOINTS AND LENGTHS OF SECTIONS, SEE SECTION 616.
- JOINTS BETWEEN CURB SECTIONS SHALL BE MORTARED IN CONFORMANCE WITH SECTION 616.
- BITUMINOUS CONCRETE AND TREATED TIMBER CURB SHALL BE IN CONFORMANCE WITH SECTION 616.
- TWO INCH MINIMUM CLEARANCE FROM FACE OF CONCRETE TO EDGE OF REINFORCING STEEL.

OTHER STDS. REQUIRED: NONE

REVISIONS AND CORRECTIONS
FEB. 11, 2008 - ORIGINAL APPROVAL DATE

APPROVED
Kevin J. Mawhinney
ROADWAY, TRAFFIC & SAFETY ENGINEER
Ruth Stearns
DIRECTOR OF PROGRAM DEVELOPMENT
Mark D. Kuttler
FEDERAL HIGHWAY ADMINISTRATION

CURBING



STANDARD
C-10