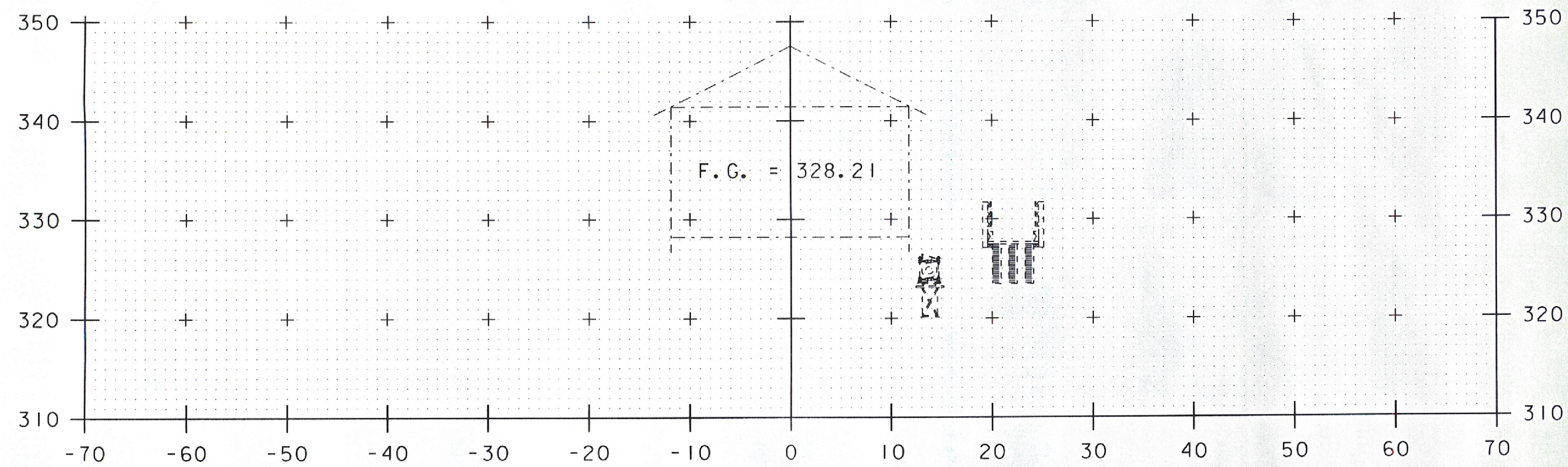
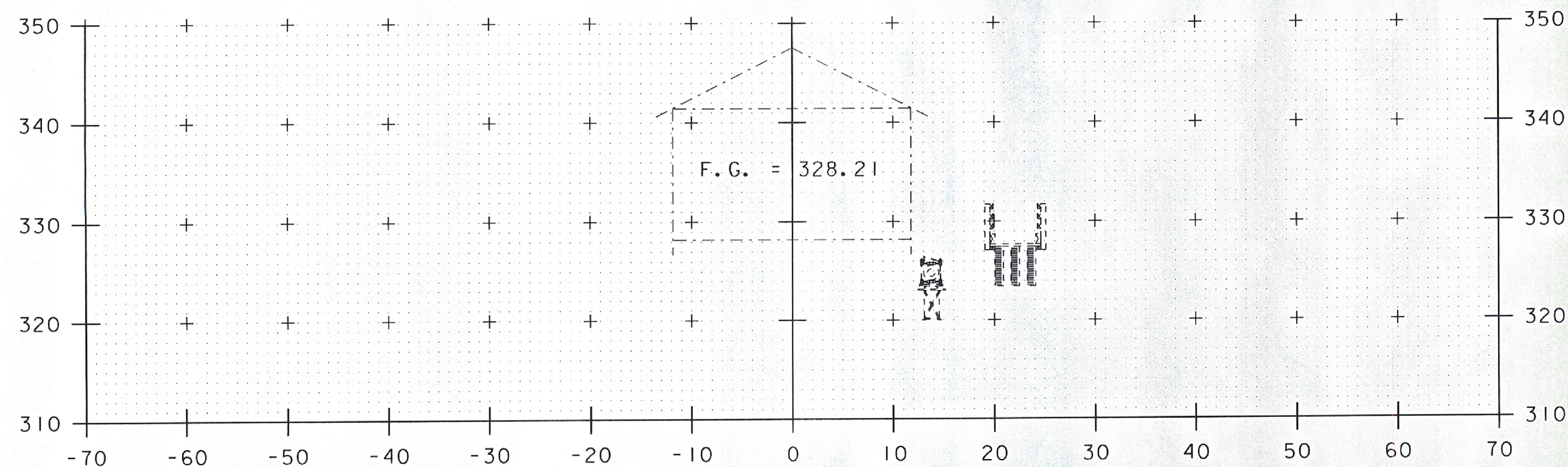


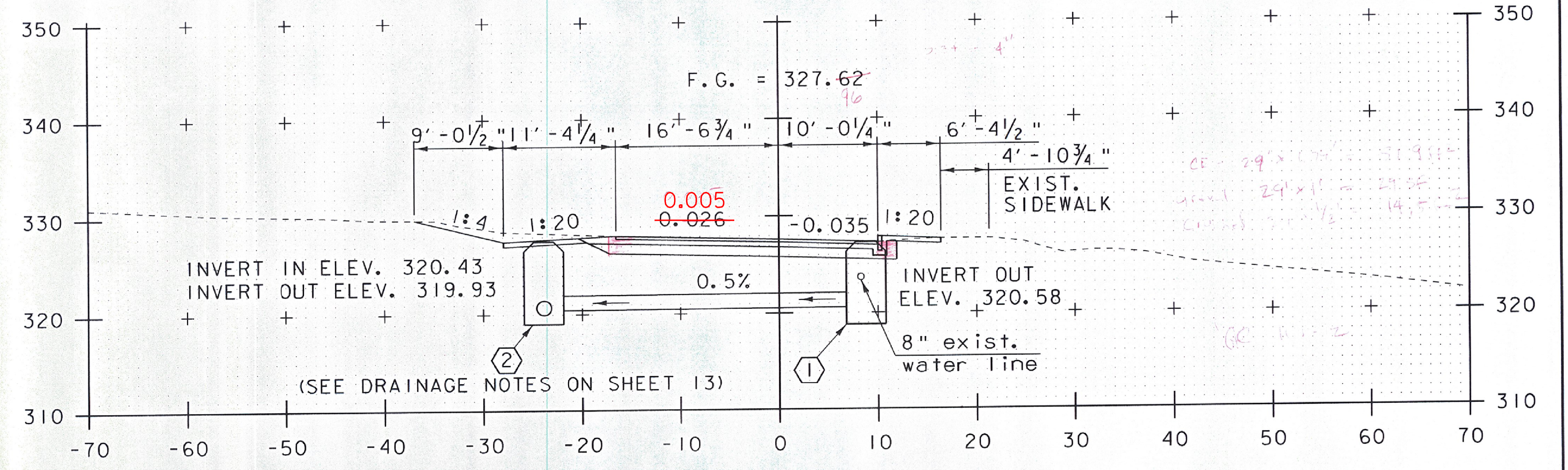
204+50



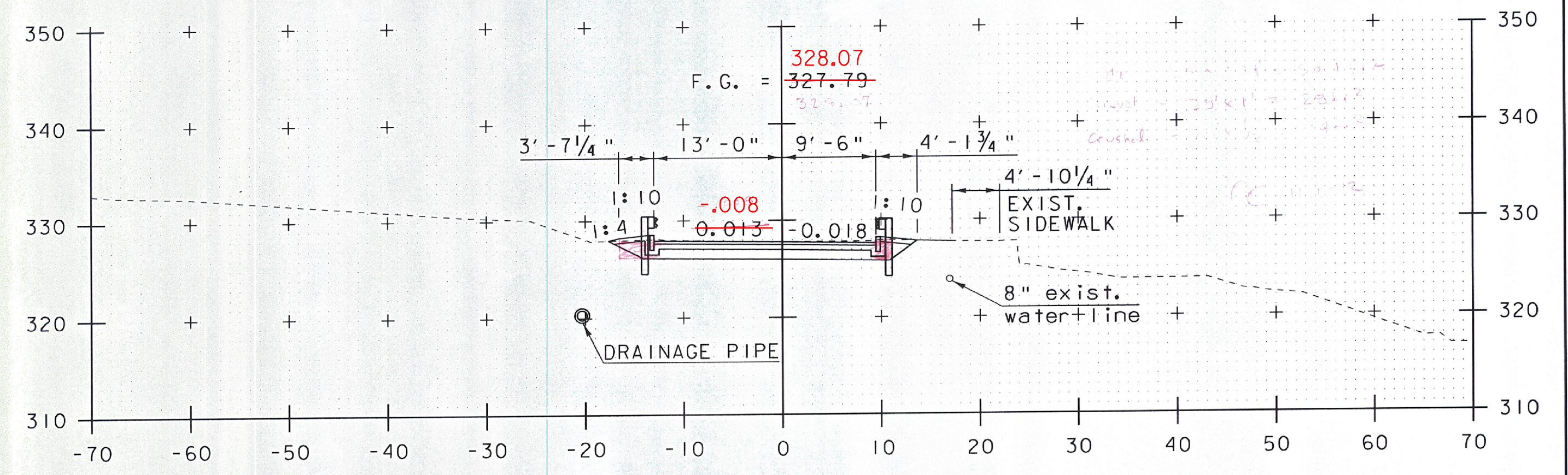
204+25



204+00

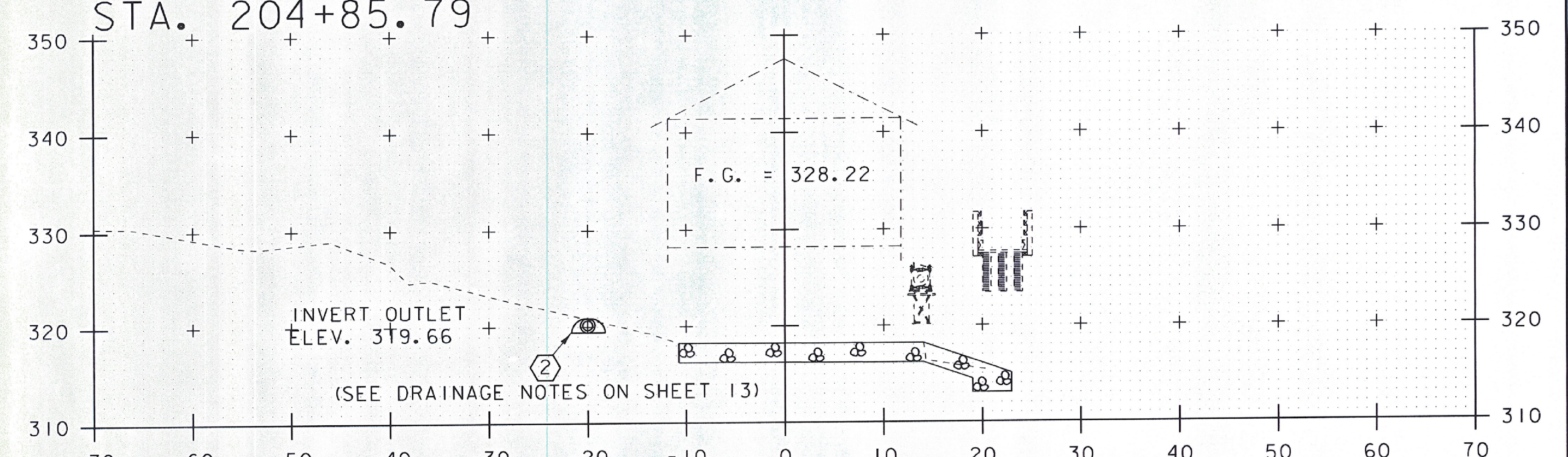


205+25



205+00

END BRIDGE  
STA. 204+85.79



204+75

STA. 204+00 TO STA. 205+25

PROJECT NAME: MIDDLEBURY-WEYBRIDGE

PROJECT NUMBER: BHO 1445(33)

FILE NAME: z06j086xs2.dgn

PROJECT LEADER: M.D.SARGENT

DESIGNED BY: J.BICJA

T.H. NOS. 3 & 5 CROSS SECTIONS (3 OF 4)

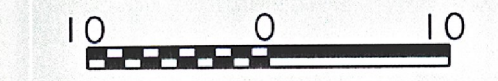
PLOT DATE: 9/20/2011

DRAWN BY: J.B.McQUAID

CHECKED BY: S.T.JAMES

SHEET 61 OF 66

SCALE: 1" = 10'-0"



**Hoyle, Tanner & Associates, Inc.**

HTA PROJECT NO. 904217 MODEL xs 3