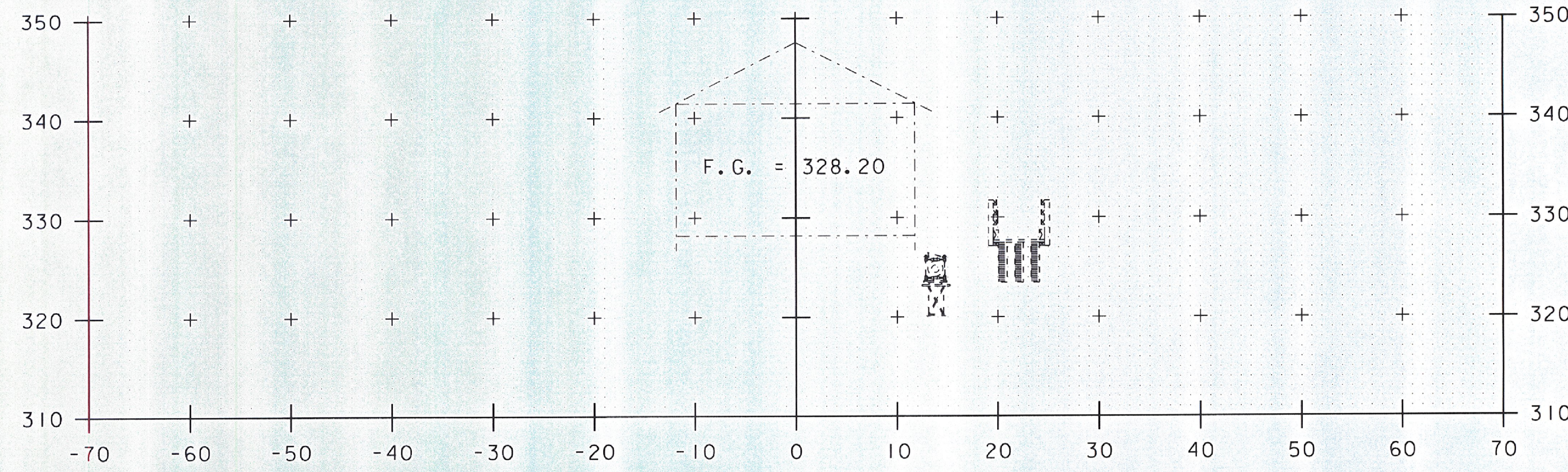
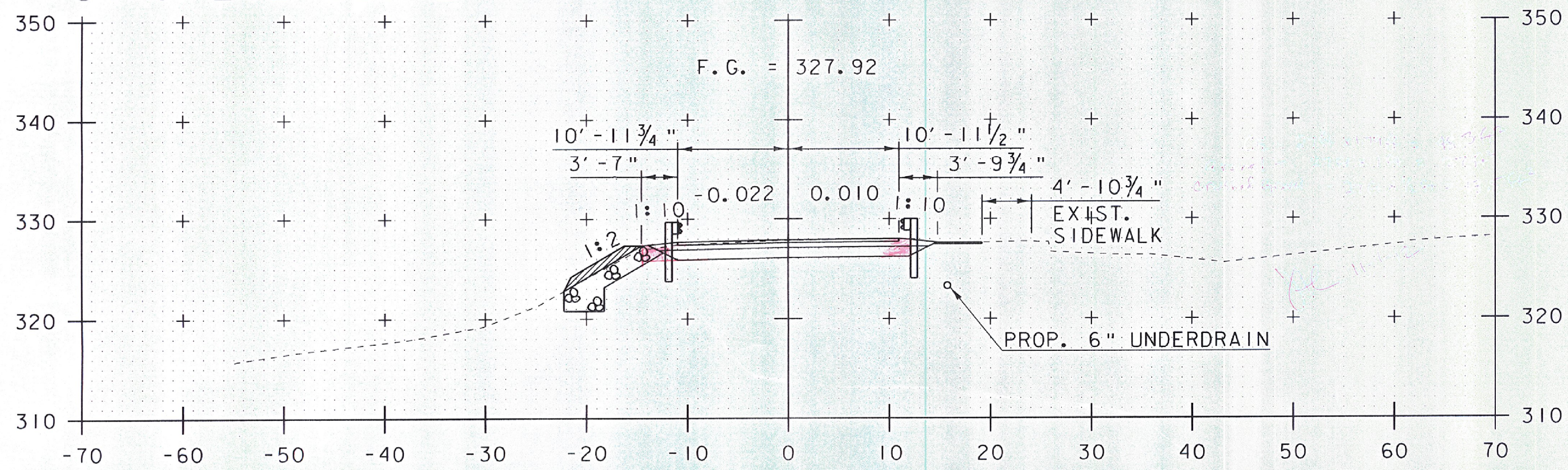


203+00

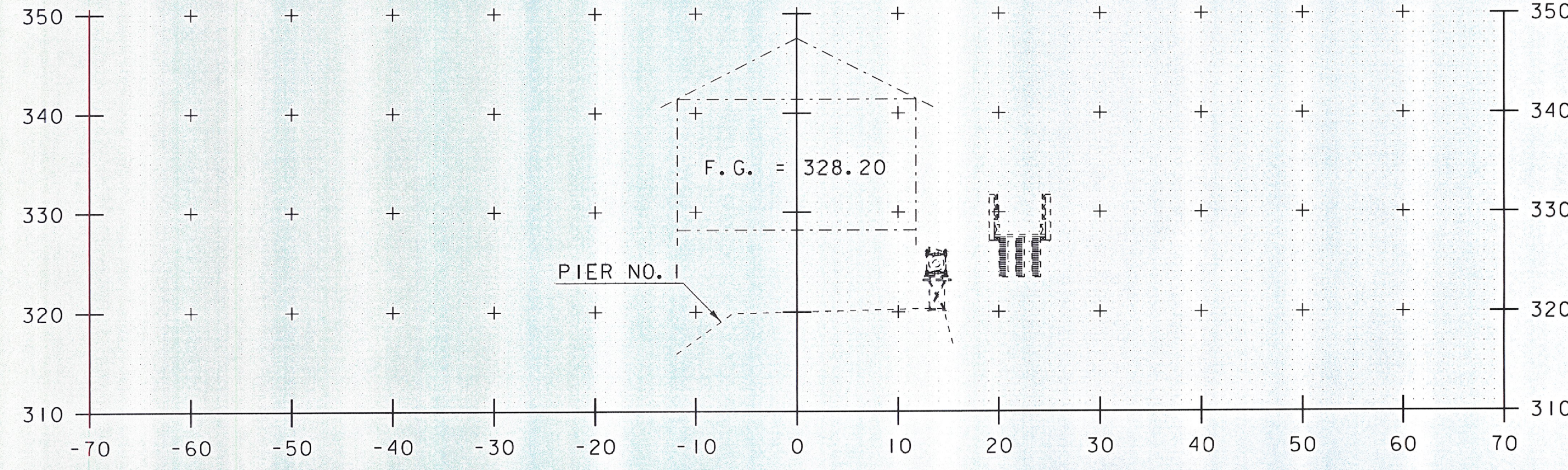
BEGIN BRIDGE
STA. 202+85.12



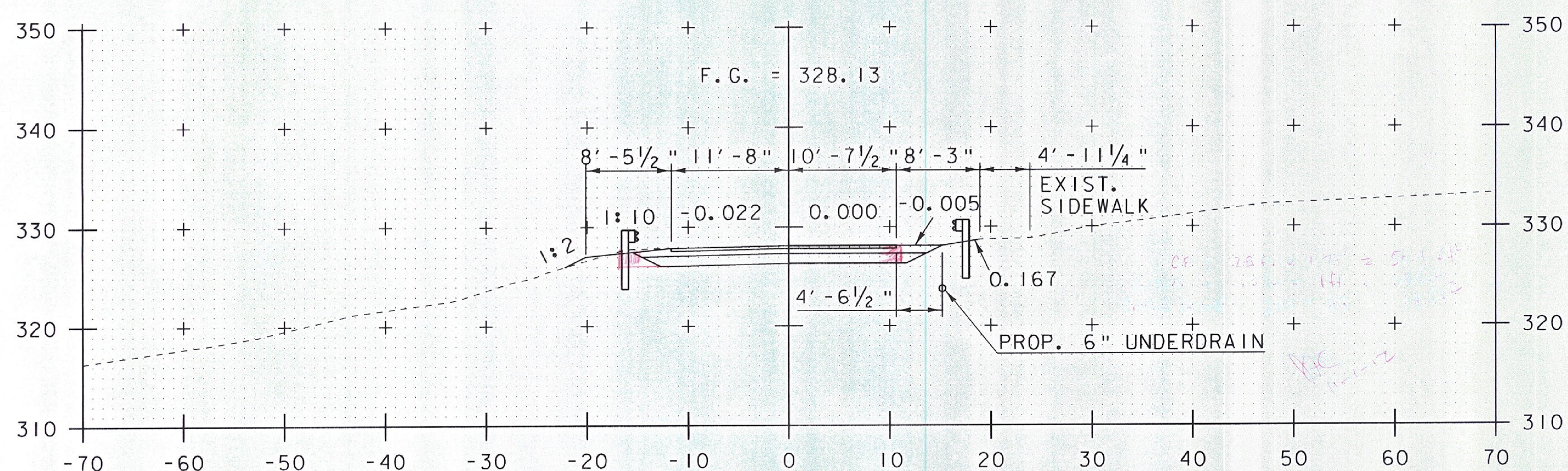
203+75



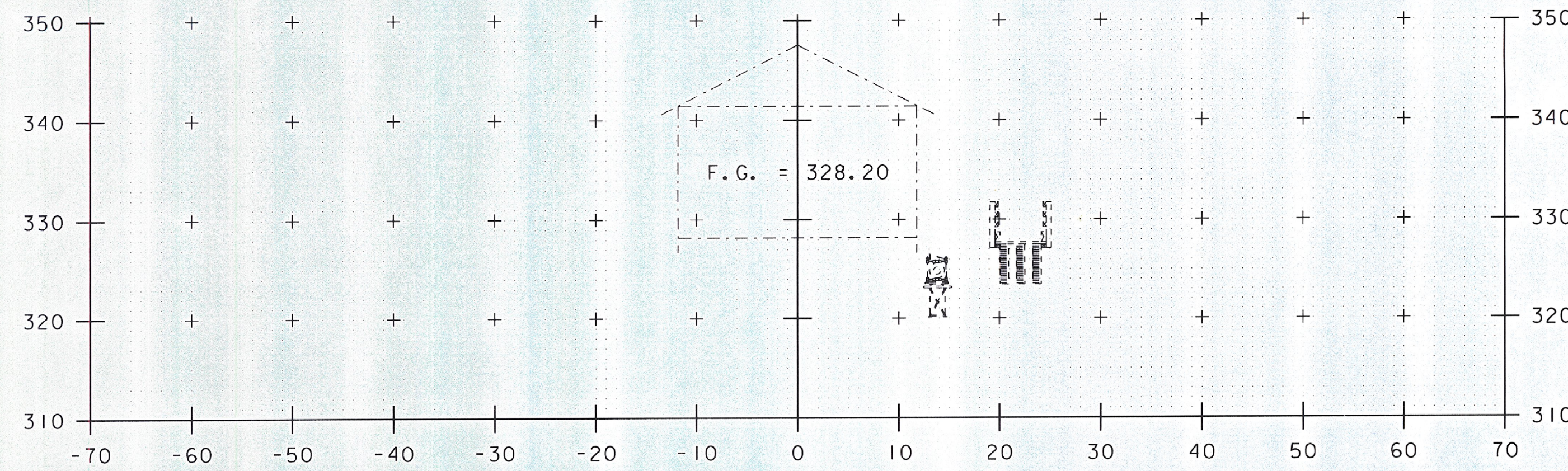
202+75



203+50



202+50



203+25

STA. 202+50 TO STA. 203+75

PROJECT NAME:	MIDDLEBURY-WEYBRIDGE
PROJECT NUMBER:	BHO 1445(33)
FILE NAME:	z06j086xs2.dgn
PROJECT LEADER:	M.D.SARGENT
DESIGNED BY:	J.BICJA
T.H. NOS. 3 & 5 CROSS SECTIONS (2 OF 4)	SHEET 60 OF 66
PLOT DATE:	9/20/2011
DRAWN BY:	J.B.McQUAID
CHECKED BY:	S.T.JAMES

SCALE: 1" = 10'-0"
10 0 10

Hoyle, Tanner & Associates, Inc.
HTA PROJECT NO. 904217 MODEL xs 2