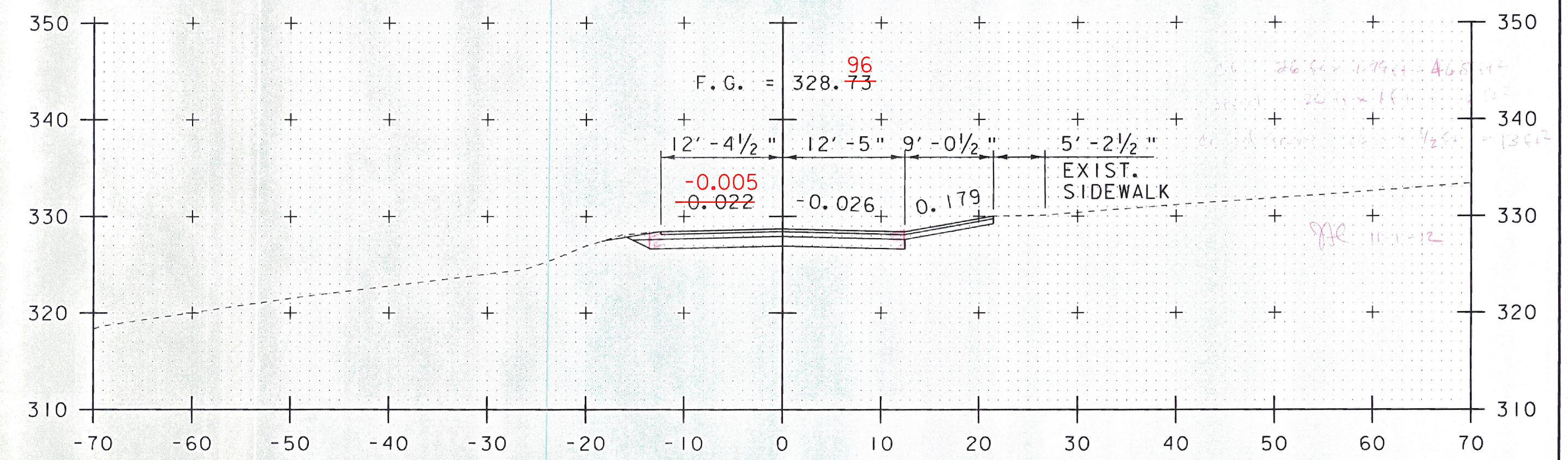
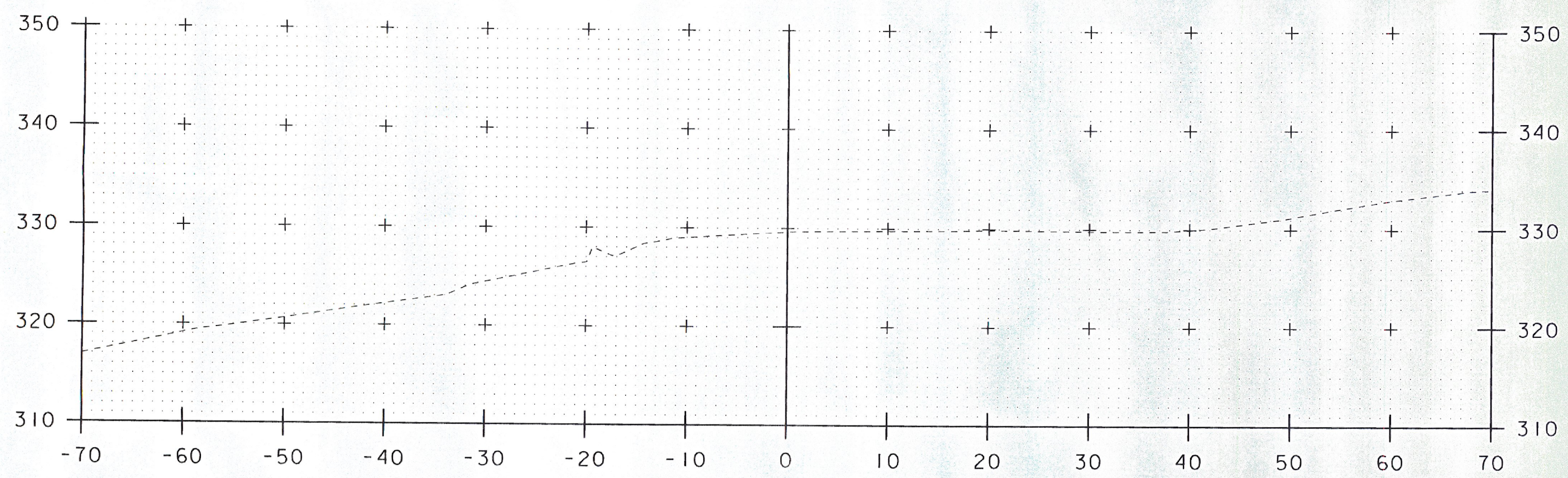


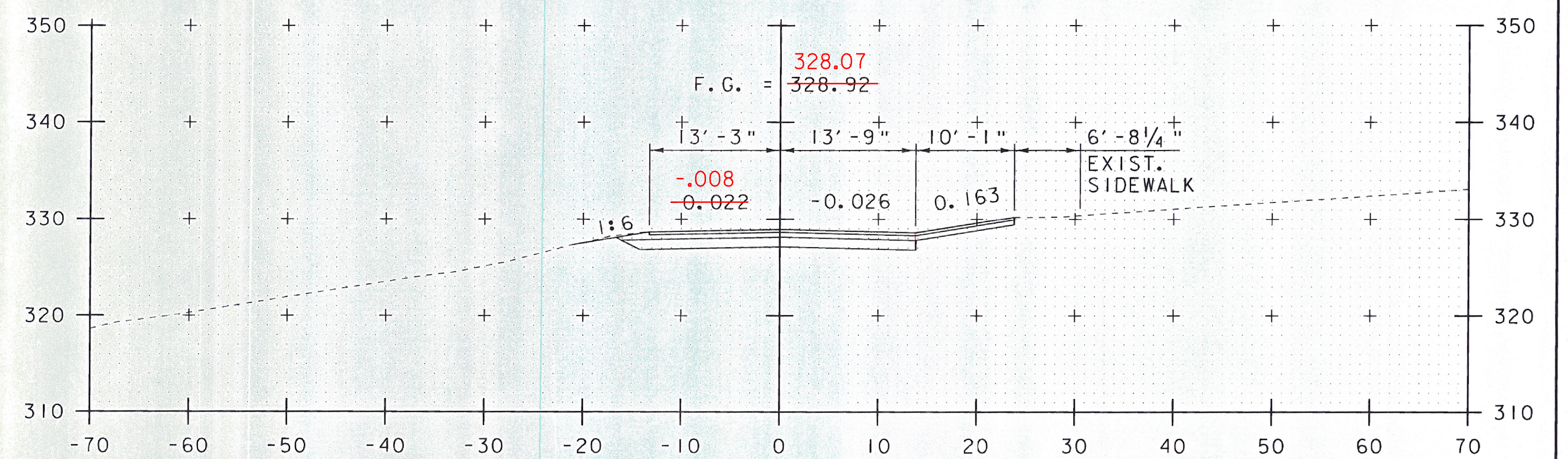
201+90
BEGIN APPROACH



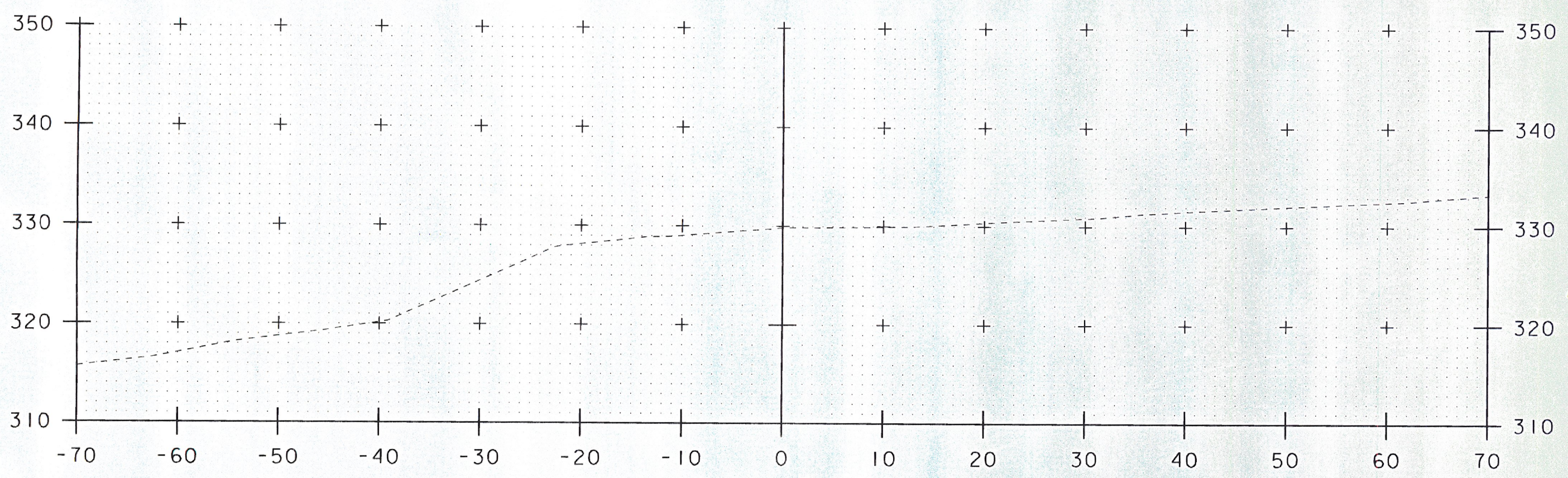
202+25



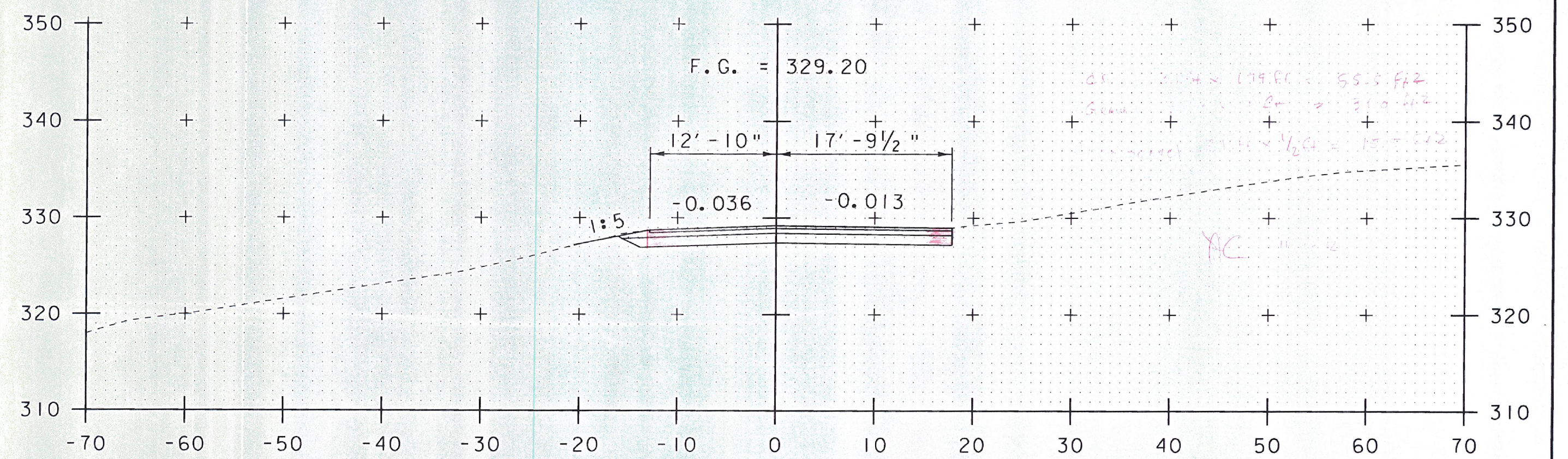
201+75



202+15
SKEWED DRIVE
SECTION AT 202+15



201+50



202+00
END APPROACH
BEGIN PROJECT

STA. 201+50 TO STA. 202+25

PROJECT NAME: MIDDLEBURY-WEYBRIDGE

PROJECT NUMBER: BHO 1445(33)

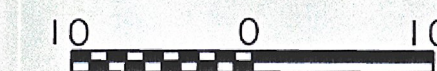
FILE NAME: z06j086xs2.dgn
PROJECT LEADER: M.D.SARGENT
DESIGNED BY: J.BICJA

PLOT DATE: 9/20/2011
DRAWN BY: J.B.McQUAID
CHECKED BY: S.T.JAMES

T.H. NOS. 3 & 5 CROSS SECTIONS (1 OF 4)

SHEET 59 OF 66

SCALE: 1" = 10'-0"



Hoyle, Tanner & Associates, Inc.

HTA PROJECT NO. 904217 MODEL XS 1