

SHEET NOTE:

- EXISTING STEEL POSTS, SPACER BLOCKS AND HARDWARE (NUT, WASHERS & CARRIAGE BOLTS) SHALL BE CLEANED AND PAINTED BROWN WITH TWO COATS OF AN APPROVED PAINT. COST FOR REUSING EXISTING STEEL POSTS IS CONSIDERED INCIDENTAL TO ITEM 621.21, HD STEEL BEAM GUARDRAIL, GALVANIZED.

HD STEEL BEAM GUARDRAIL, GALVANIZED

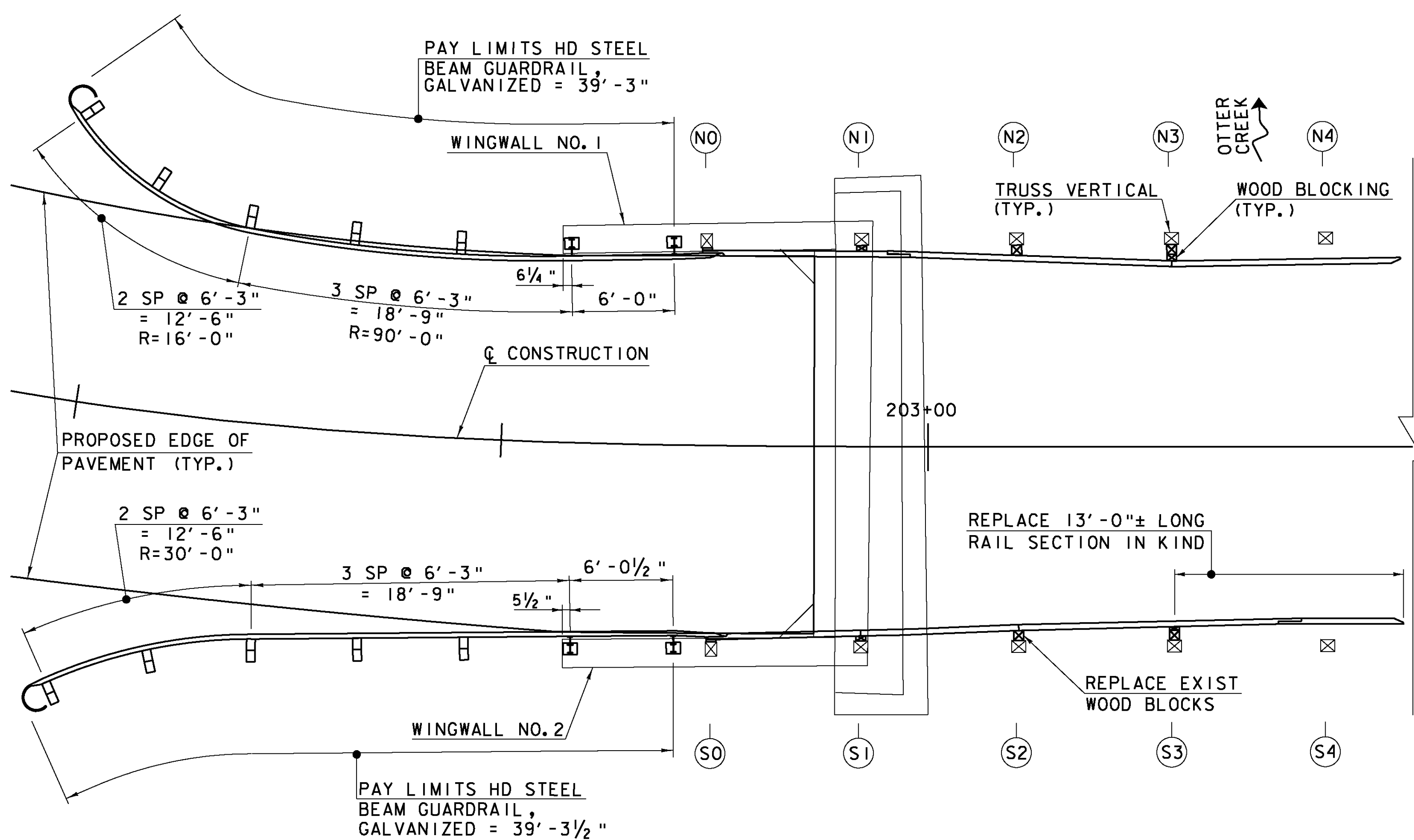
STA. 202+47.41 LT. 16.35' - STA. 202+84.99 LT. 11.16'
 STA. 202+50.51 RT. 16.30' - STA. 202+85.22 RT. 11.16'
 STA. 204+85.68 LT. 11.94' - STA. 205+18.13 LT. 20.27'
 STA. 204+86.25 RT. 10.33' - STA. 205+11.01 RT. 13.73'

ANCHOR FOR STEEL BEAM RAIL:

STA. 202+53.38 LT. 13.59'
 STA. 202+56.04 RT. 14.52'
 STA. 205+13.84 LT. 16.77'
 STA. 205+05.17 RT. 11.42'

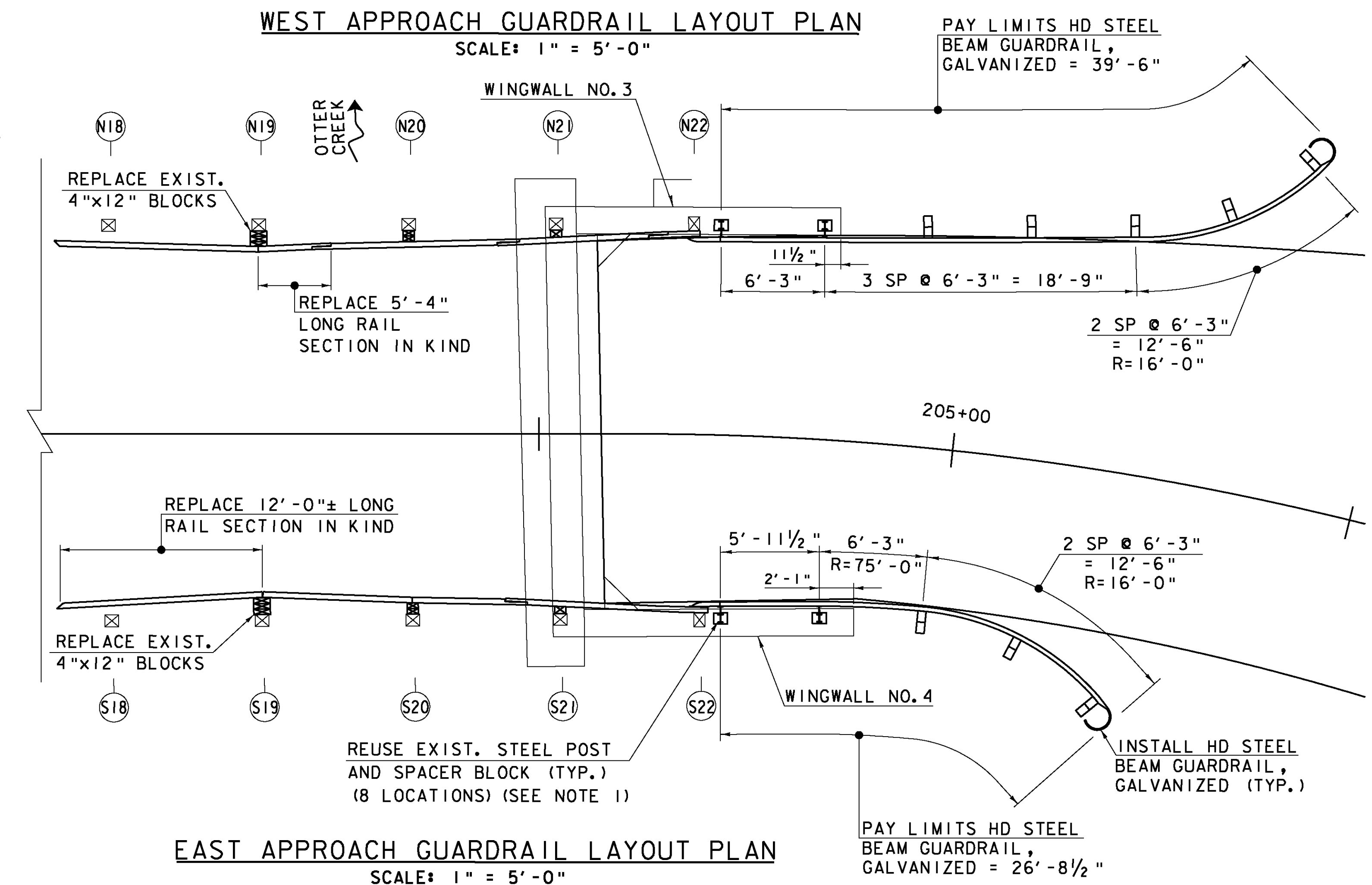
PAY FACTOR TABLE

POST SPACING	FACTOR
6'-3"	1.0
<6'-3"	1.2



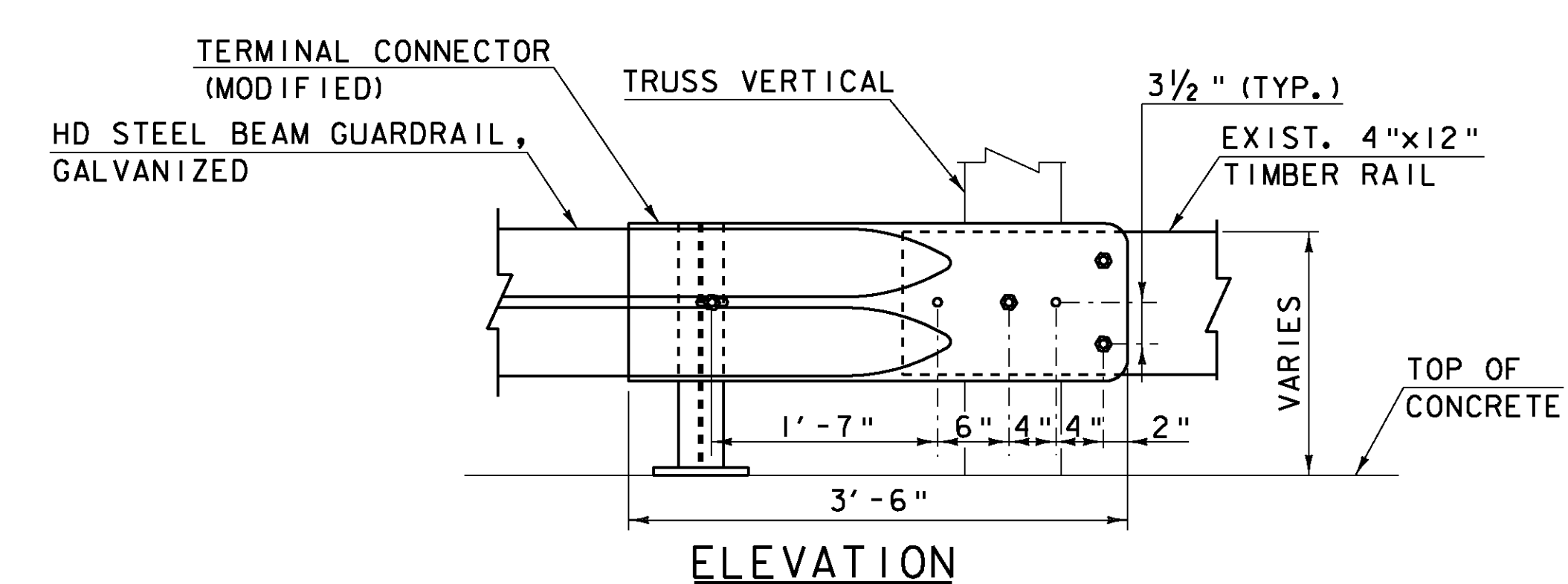
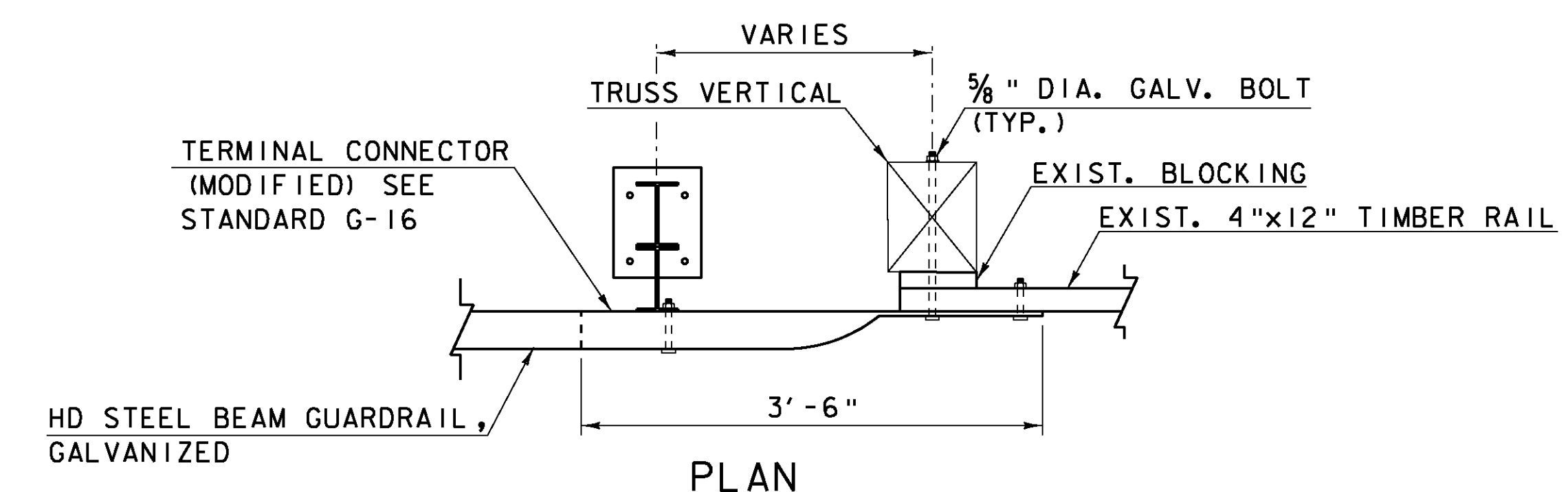
WEST APPROACH GUARDRAIL LAYOUT PLAN

SCALE: 1" = 5'-0"



EAST APPROACH GUARDRAIL LAYOUT PLAN

SCALE: 1" = 5'-0"

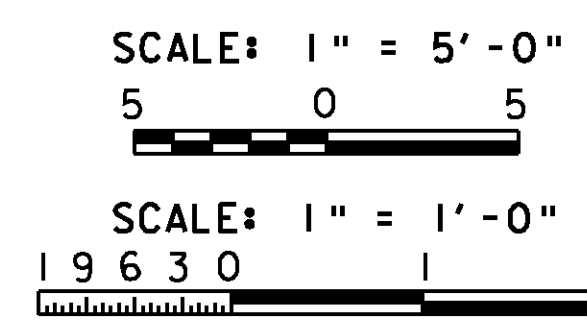


TYPICAL GUARDRAIL CONNECTION AT COVERED BRIDGE

SCALE: 1" = 1'-0"

LEGEND:

XXX TRUSS NODE LOCATION



Hoyle, Tanner & Associates, Inc.

HTA PROJECT NO. 90427 MODEL layout plan

PROJECT NAME: MIDDLEBURY-WEYBRIDGE	PROJECT NUMBER: BHO 1445(33)	FILE NAME: z06j086grlp.dgn	PLOT DATE: 10/3/2011
		PROJECT LEADER: M.D.SARGENT	DRAWN BY: J.B.McQUAID
		DESIGNED BY: J.BICJA	CHECKED BY: S.T.JAMES
		GUARDRAIL LAYOUT SHEET	SHEET 55 OF 66