

INSTALL $\frac{3}{4}$ " DIA. x 2'-6" LONG STAINLESS STEEL THROUGH BOLT WITH 4"x4"x $\frac{1}{2}$ " THICK STAINLESS STEEL WASHER AND HEAVY SQUARE NUT AT EACH BOTTOM CHORD PLY. APPLY TWO COATS OF COAL TAR EPOXY (SEE NOTE S-4 ON SHEET 25)

NEW 2-3" (MIN.) x 10" x 1'-8" LONG HARDWOOD BEDDING TIMBERS SPACED AS SHOWN. TAPER AS REQUIRED FOR TRUSS CAMBER

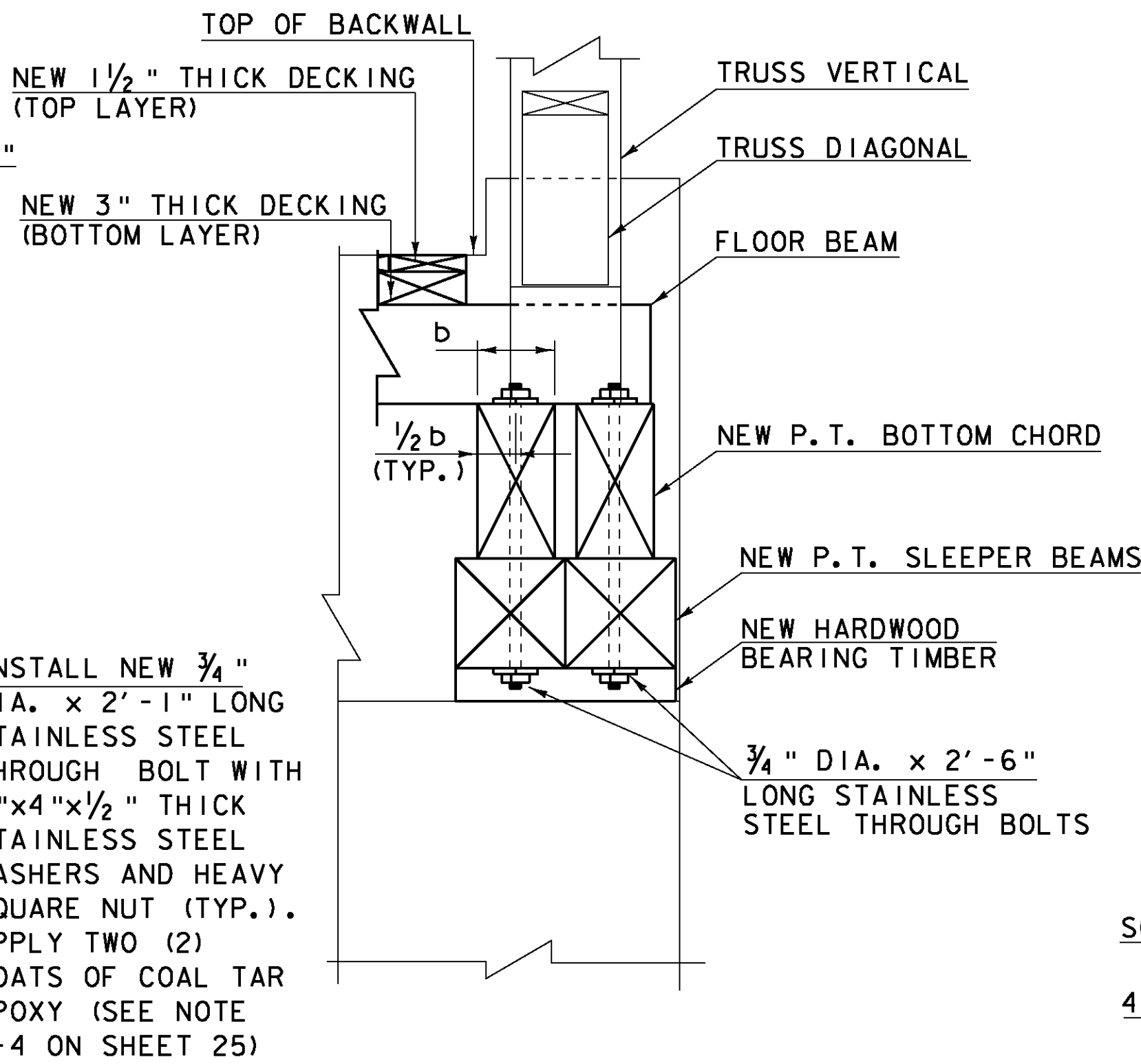
FRONT FACE OF ABUTMENT

INSTALL 1" DIA. STAINLESS STEEL THROUGH BOLT WITH 4"x4"x $\frac{1}{2}$ " THICK STAINLESS STEEL WASHER (1 EACH SIDE)

* DISTANCE VARIES TO AVOID CONFLICT WITH FLOOR BEAMS, SEE SHEETS 31-36.

TRUSS TYPICAL BEARING SEAT AT ABUTMENT

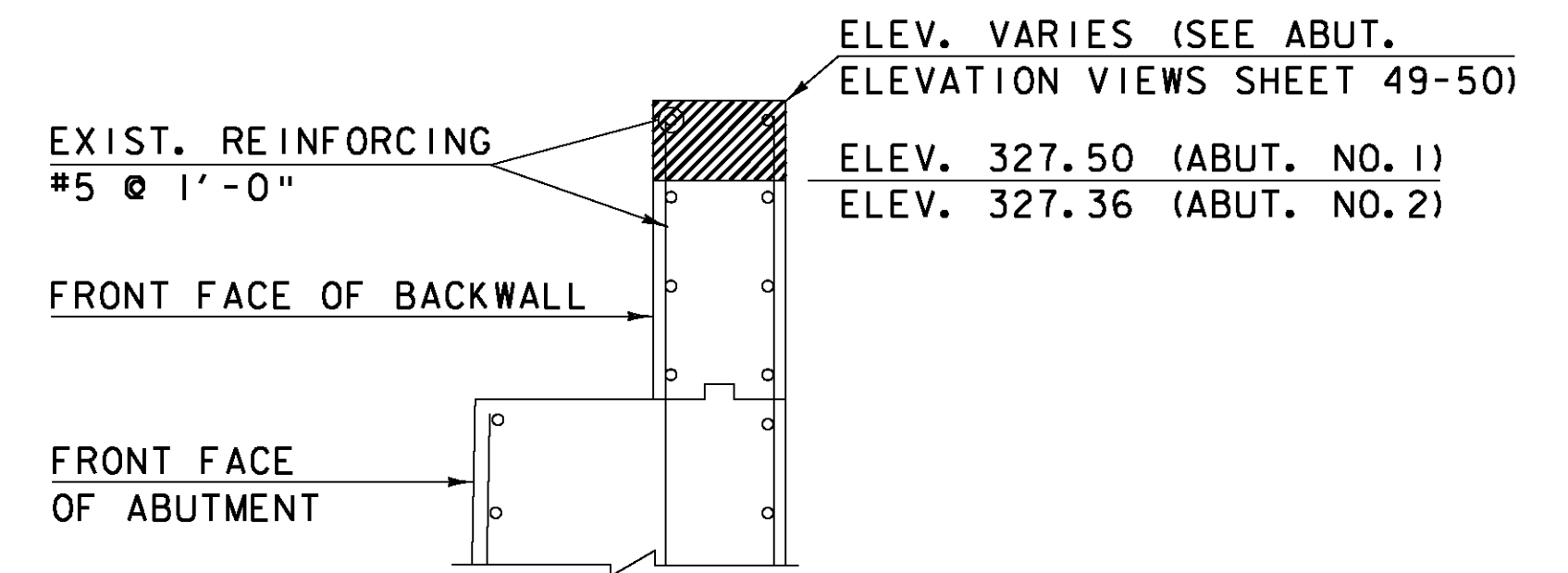
SCALE: 1" = 1'-0"



INSTALL NEW $\frac{3}{4}$ " DIA. x 2'-1" LONG STAINLESS STEEL THROUGH BOLT WITH 4"x4"x $\frac{1}{2}$ " THICK STAINLESS STEEL WASHERS AND HEAVY SQUARE NUT (TYP.). APPLY TWO (2) COATS OF COAL TAR EPOXY (SEE NOTE S-4 ON SHEET 25)

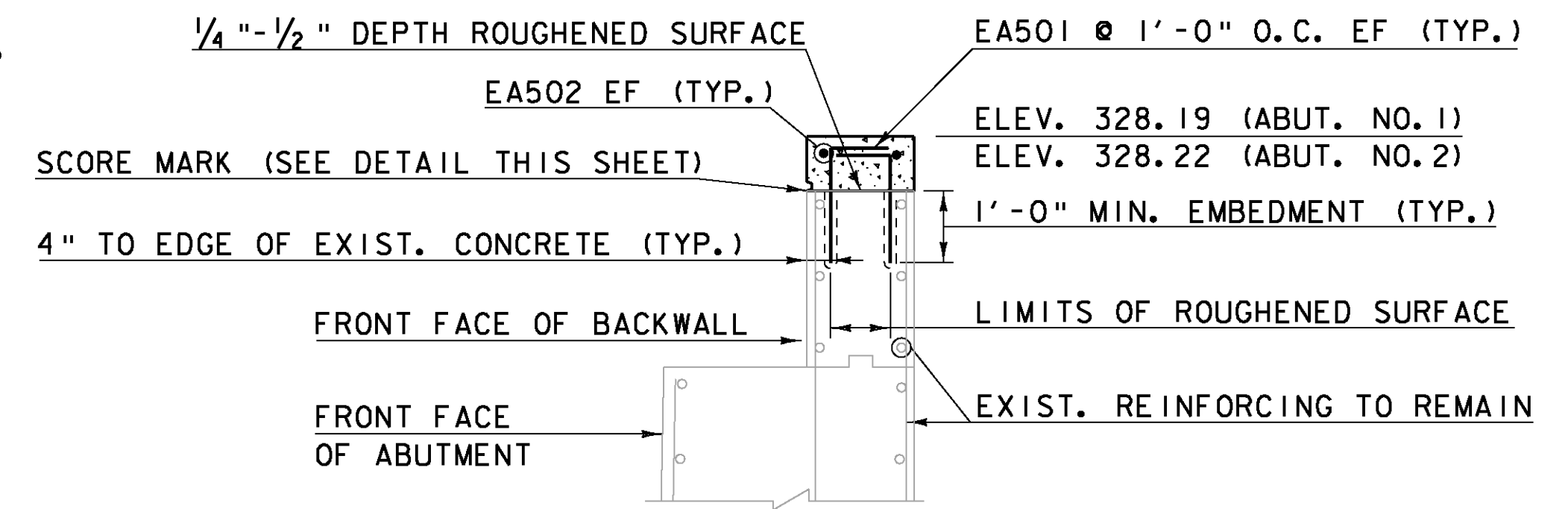
SECTION A-A

SCALE: 1" = 1'-0"



ABUTMENT REMOVAL TYPICAL SECTION

SCALE: $\frac{1}{2}$ " = 1'-0"



ABUTMENT MODIFICATIONS TYPICAL SECTION

SCALE: $\frac{1}{2}$ " = 1'-0"

LEGEND

- DENOTES CONCRETE REMOVAL
- DENOTES NEW CONCRETE
- EF EACH FACE

INSTALL STAINLESS STEEL HOLD DOWN STRAP (2 AT ABUT. NO. 1 AND 2 AT ABUT. NO. 2, 4 TOTAL)

NEW DECKING
FLOOR BEAM

4"x6"x2'-0" LONG HARDWOOD BEDDING TIMBER. TOE NAIL TO FLOOR BEAM WITH 2-40d GALV. COMMON NAILS PRIOR TO INSTALLATION OF FLOOR BEAM (2 AT ABUT. NO. 1 AND 2 AT ABUT. NO. 2, 4 TOTAL)

NEW CONCRETE PEDESTAL

FRONT FACE OF ABUTMENT

SEE DETAIL "A" THIS SHEET

STAINLESS STEEL HOLD DOWN STRAP
HARDWOOD BEDDING TIMBER

$\frac{5}{8}$ " DIA. HILTI STAINLESS STEEL BOLT WITH HY150 ADHESIVE WITH 4" EMBEDMENT OR $\frac{5}{8}$ " DIA. POWER FASTENER WITH POWERFAST ADHESIVE WITH 4" EMBEDMENT OR APPROVED EQUAL (PAID UNDER ITEM 506.75)

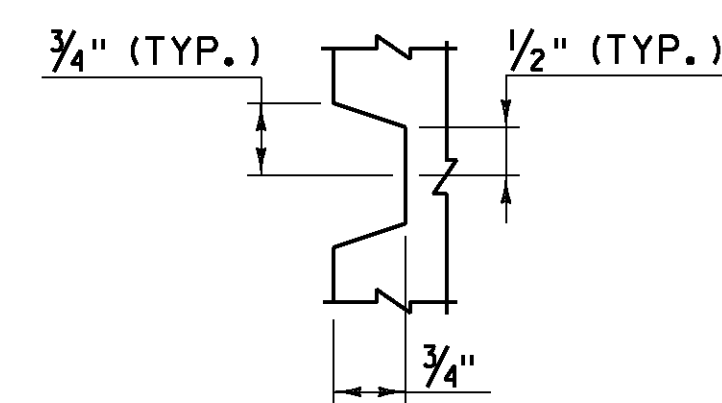
NEW DECKING

FLOOR BEAM

NEW DECKING ABUTMENT BACKWALL

INSTALL $\frac{1}{2}$ " BACKER ROD (INCIDENTAL TO ITEM 524.21) AND AN APPROVED POLYURETHANE JOINT MATERIAL, $\frac{1}{2}$ " IN WIDTH, 1" IN DEPTH

DETAIL "A"
NOT TO SCALE



SCORE MARK DETAIL
NOT TO SCALE

SCALE: $\frac{1}{2}$ " = 1'-0"



SCALE: 1" = 1'-0"



SHEET NOTES:

1. THE SURFACE OF THE CONCRETE CONSTRUCTION JOINTS SHALL BE CLEANED AND FREE OF LAITANCE.
2. IMMEDIATELY BEFORE NEW CONCRETE IS PLACED, ALL CONSTRUCTION JOINTS SHALL BE WETTED AND STANDING WATER REMOVED. THE COST SHALL BE INCLUDED IN THE UNIT PRICE BID FOR ITEM 501.34.
3. FLOOR BEAM HOLD DOWN STRAPS SHALL BE GALVANIZED WITH A MINIMUM UPLIFT CAPACITY OF 1,000 LBS PER FLOOR BEAM. ACCEPTABLE PRODUCTS ARE SIMPSON STRONG-TIE HTT4 OR USP CONNECTORS HTT16 OR APPROVED EQUAL (PAID UNDER ITEM 506.75, STRUCTURAL STEEL).

TYPICAL FLOOR BEAM BEARING SEAT AT CONCRETE PEDESTAL

SCALE: 1" = 1'-0"

SECTION B-B

SCALE: 1" = 1'-0"

Hoyle, Tanner & Associates, Inc.

HTA PROJECT NO. 90427 MODEL detail-5

PROJECT NAME: MIDDLEBURY-WEYBRIDGE

PROJECT NUMBER: BHO 1445(33)

FILE NAME: z06j086d15.dgn
PROJECT LEADER: M.D.SARGENT
DESIGNED BY: J.BICJA

PLOT DATE: 9/20/2011
DRAWN BY: J.B.McQUAD
CHECKED BY: S.T.JAMES
SHEET 51 OF 66

ABUTMENT TYPICAL SECTIONS & DETAILS