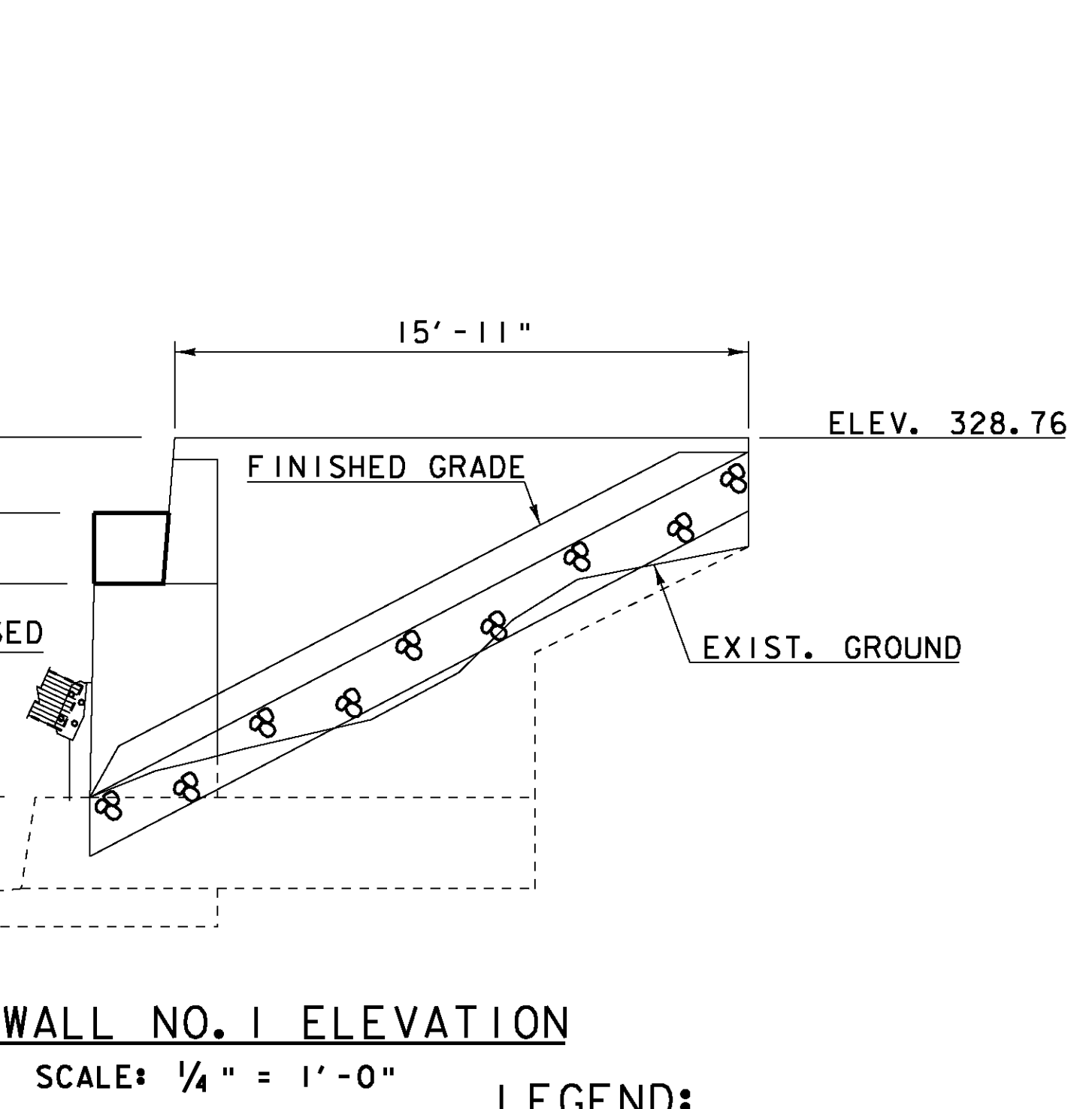
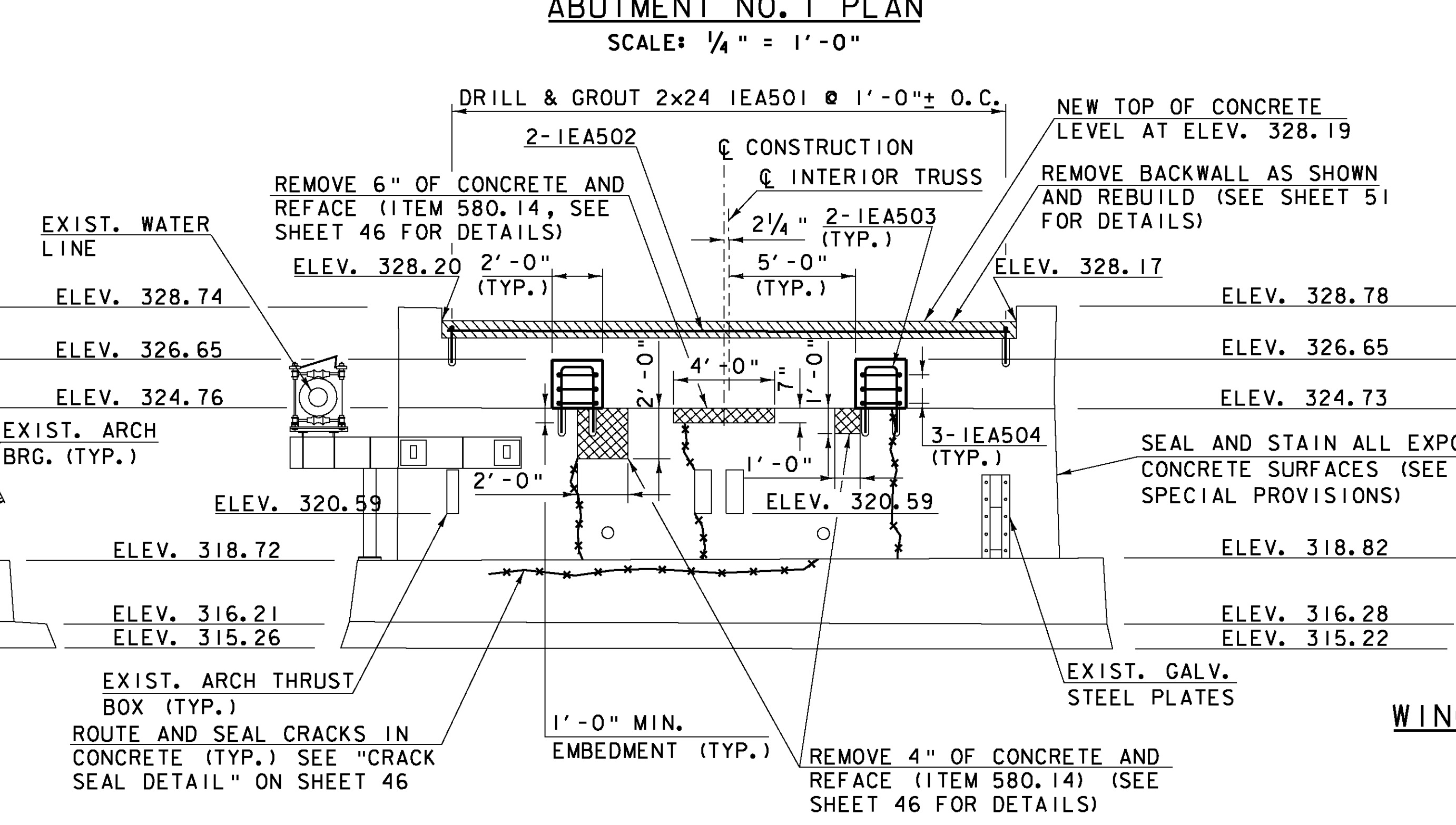
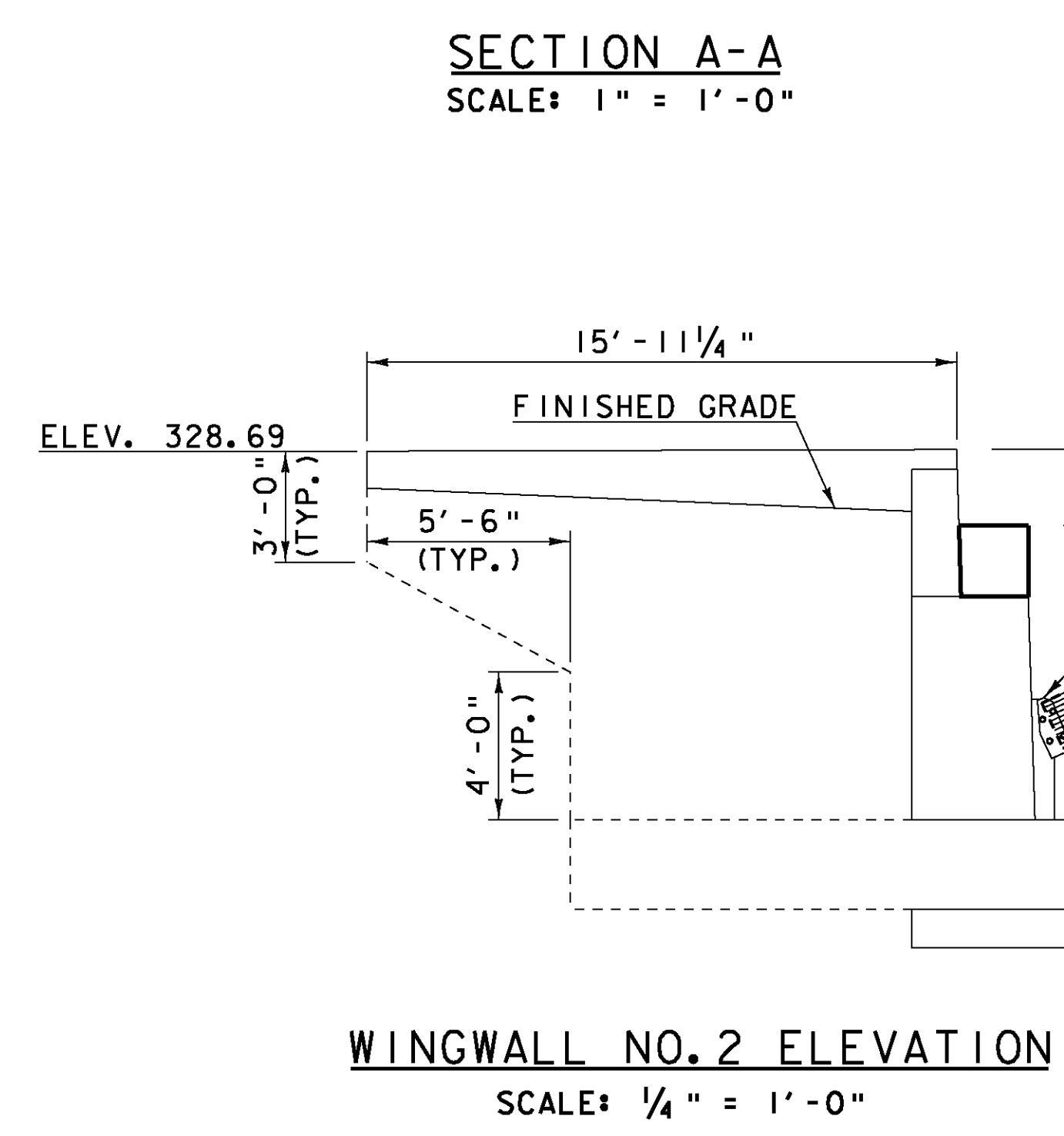
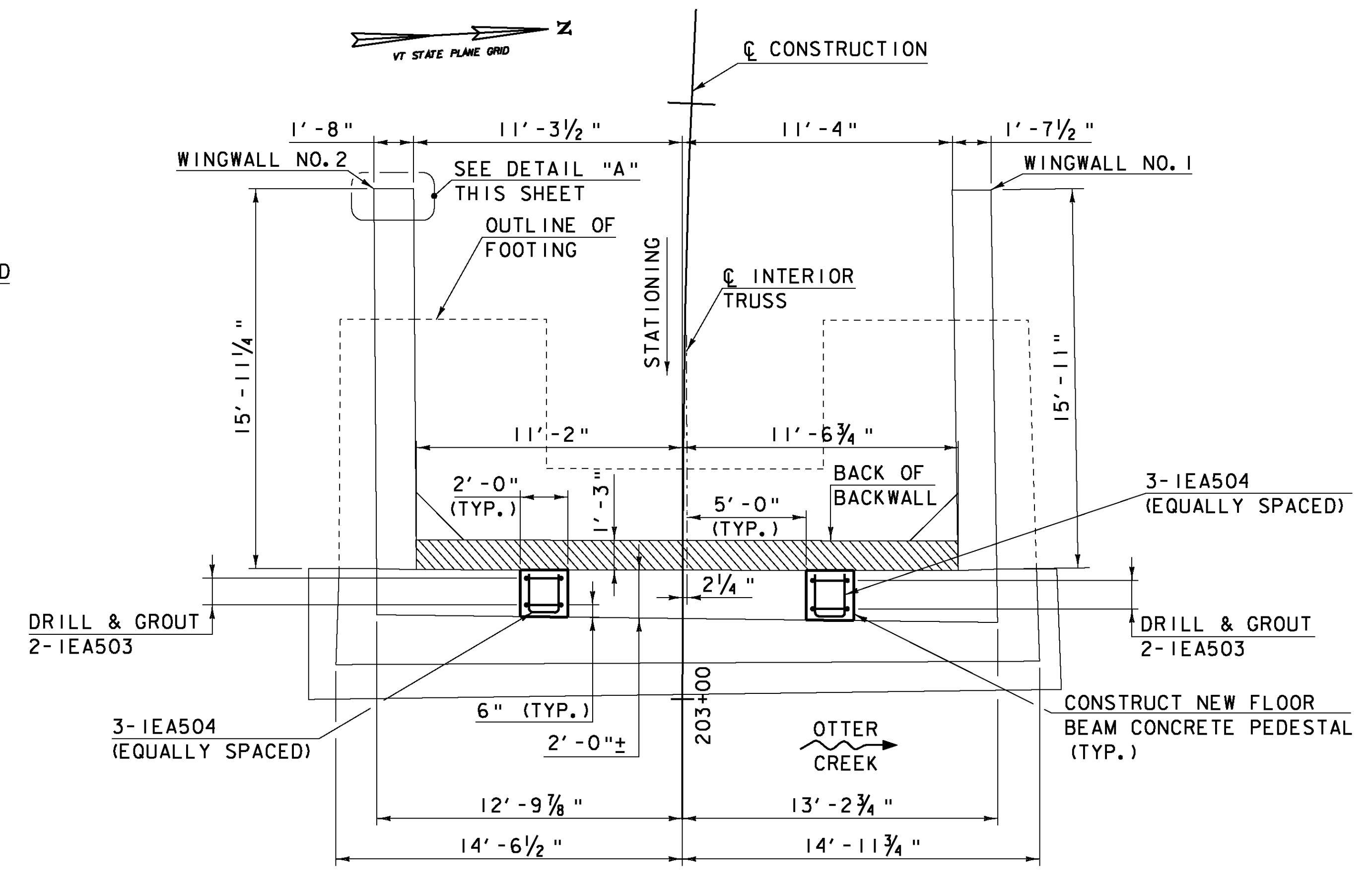
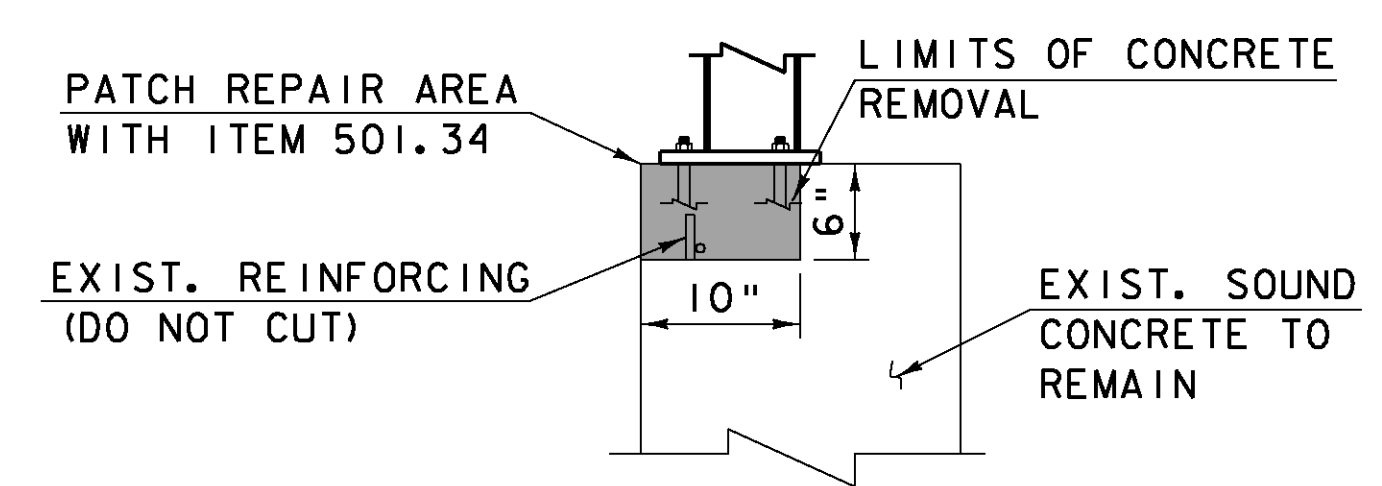
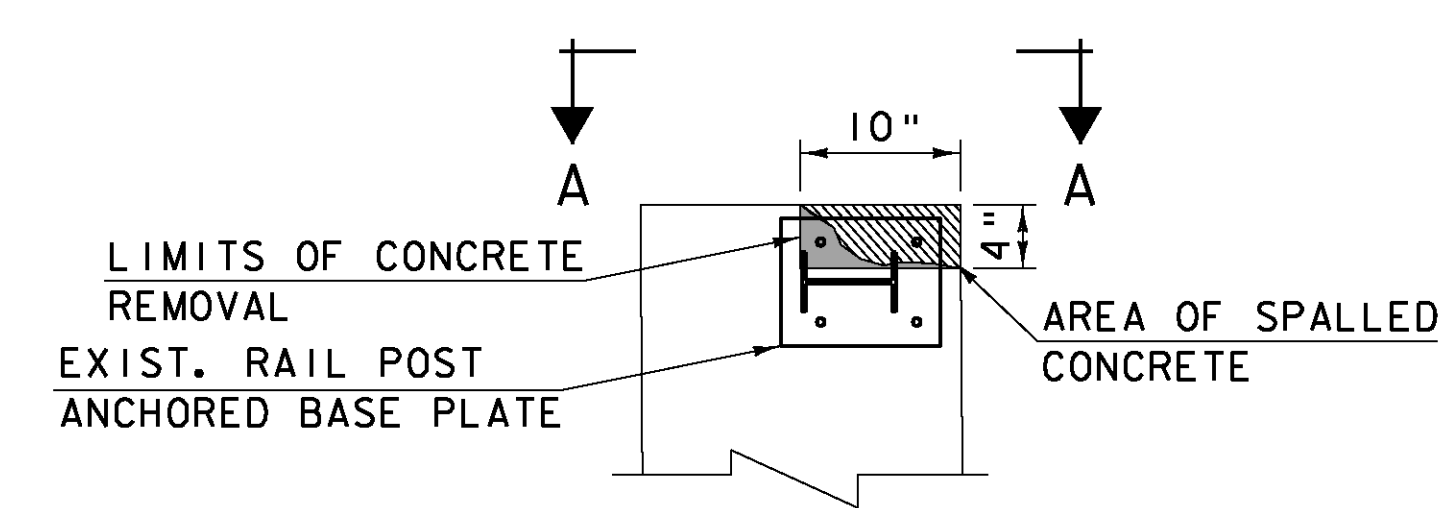


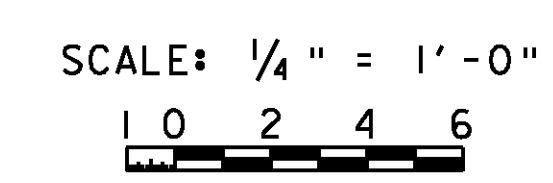
SHEET NOTES:

1. SEE SHEET 51 FOR DETAILS THAT APPLY TO THIS SHEET.
2. APPROACH WORK DETAILS (GUARDRAIL, EDGE OF TRAVELWAY, ETC.) AND BRIDGE SUPERSTRUCTURE ARE NOT SHOWN FOR CLARITY.



LEGEND:

- DENOTES LIMITS OF CLASS II VERTICAL CONCRETE REPAIR
- DENOTES CONCRETE REMOVAL
- LIMITS OF CRACK ROUTE AND SEAL



Hoyle, Tanner & Associates, Inc.
HTA PROJECT NO. 90427 MODEL abut A

PROJECT NAME: MIDDLEBURY-WEYBRIDGE	FILE NAME: z06j086subl.dgn	PLOT DATE: 9/20/2011
PROJECT NUMBER: BHO 1445(33)	PROJECT LEADER: M.D.SARGENT	DRAWN BY: J.B.McQUAD
	DESIGNED BY: J.BICJA	CHECKED BY: S.T.JAMES
	ABUTMENT NO.1 PLAN & ELEVATION	SHEET 49 OF 66