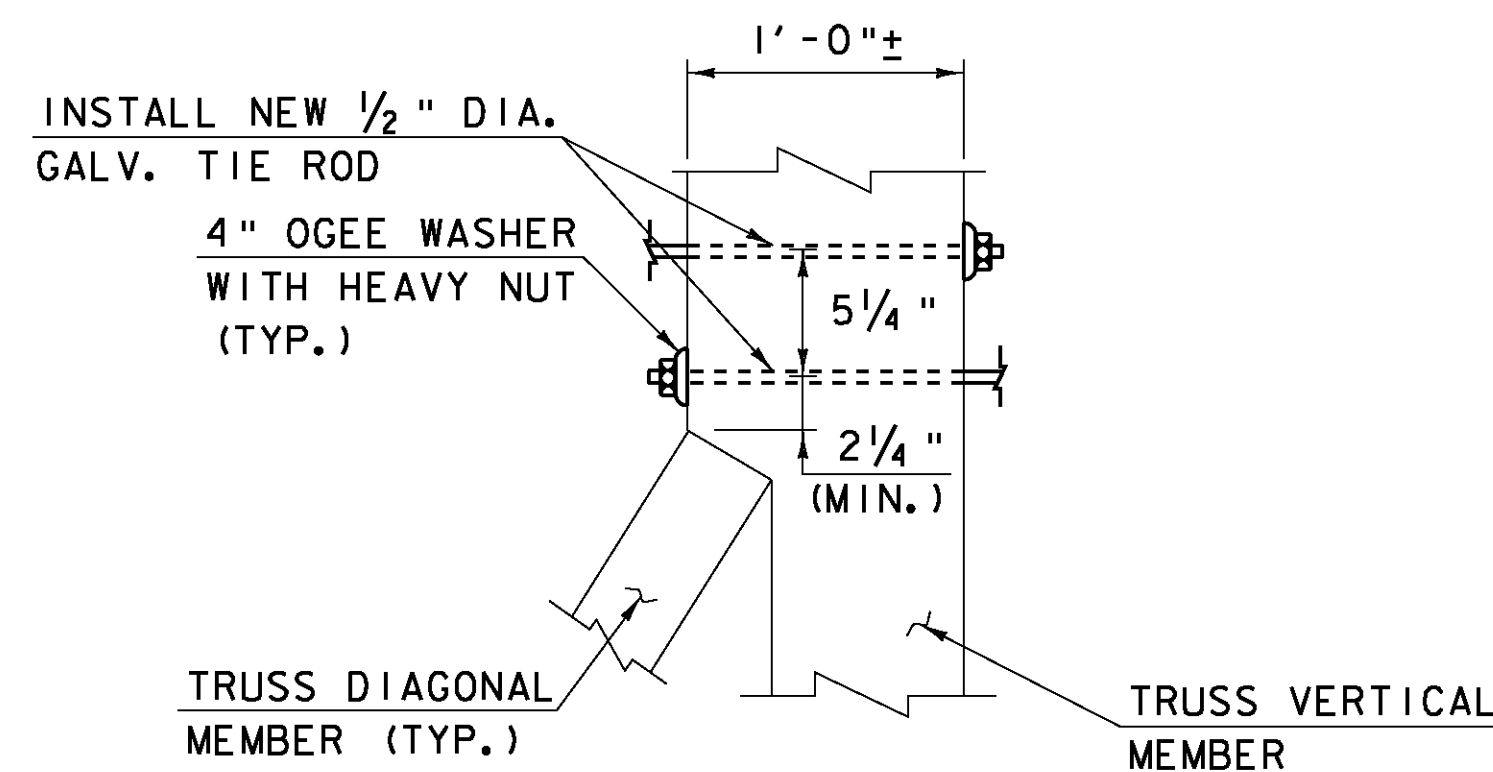
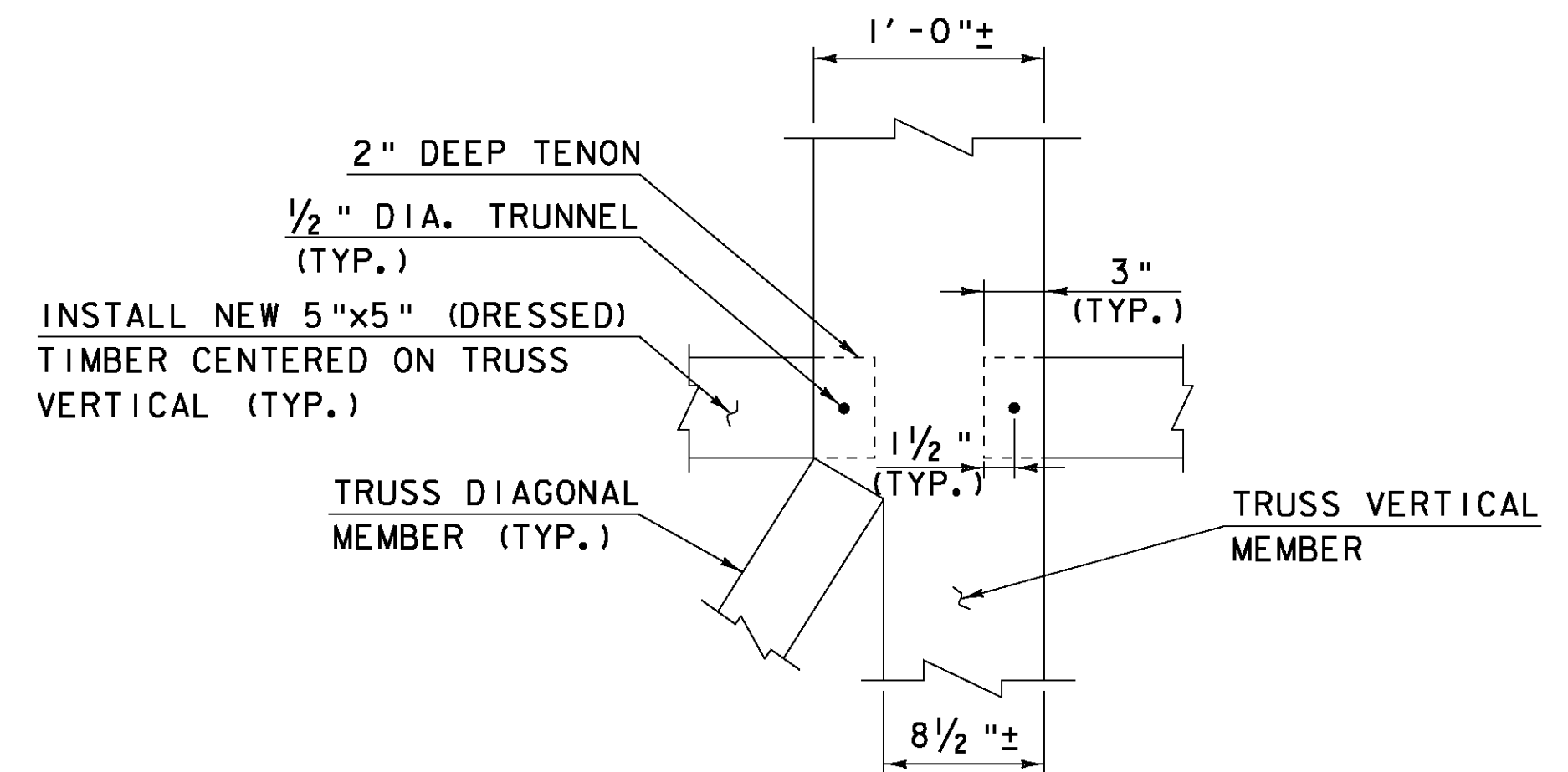


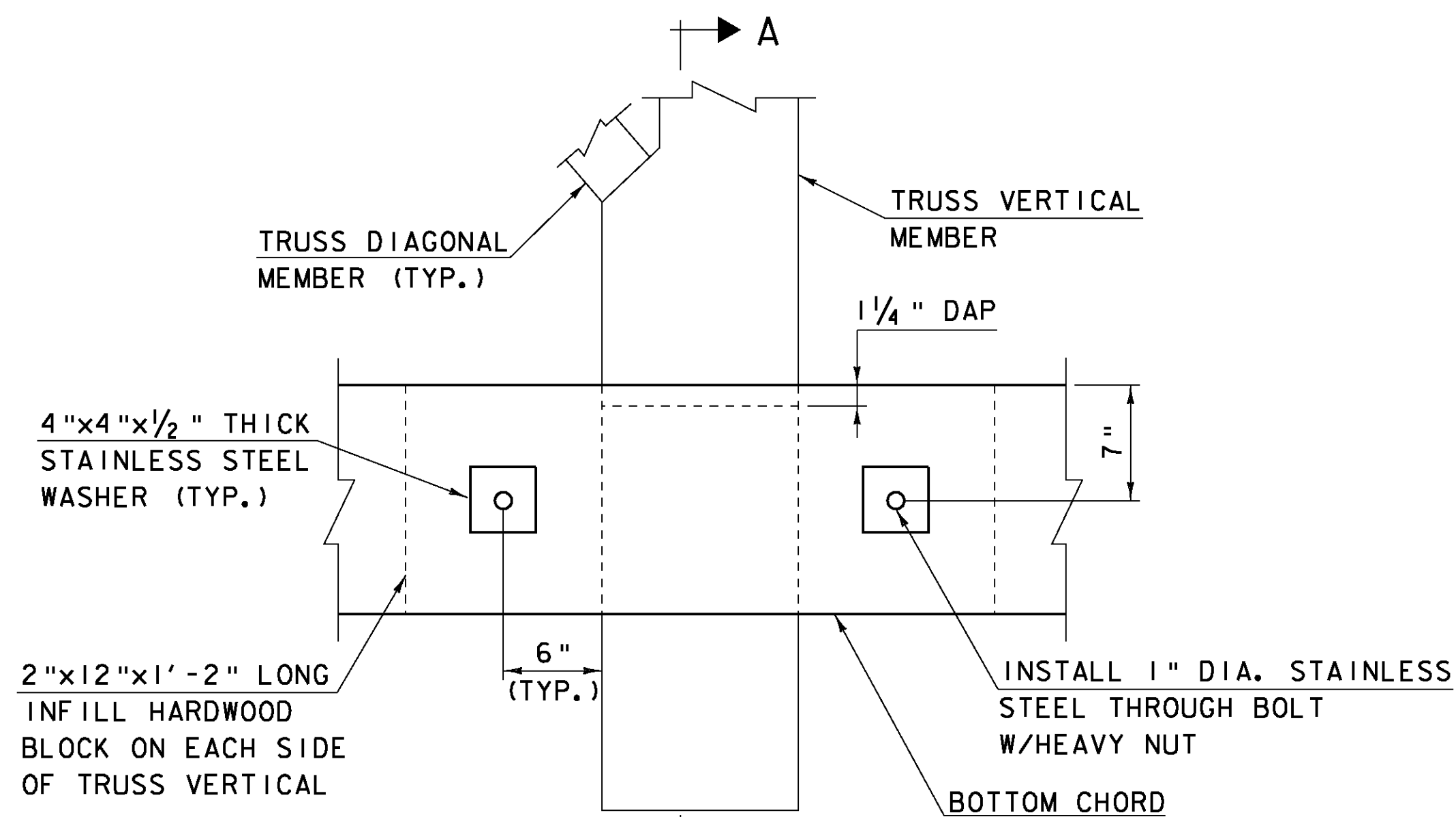
DETAIL "A"
SCALE: 1/2" = 1'-0"



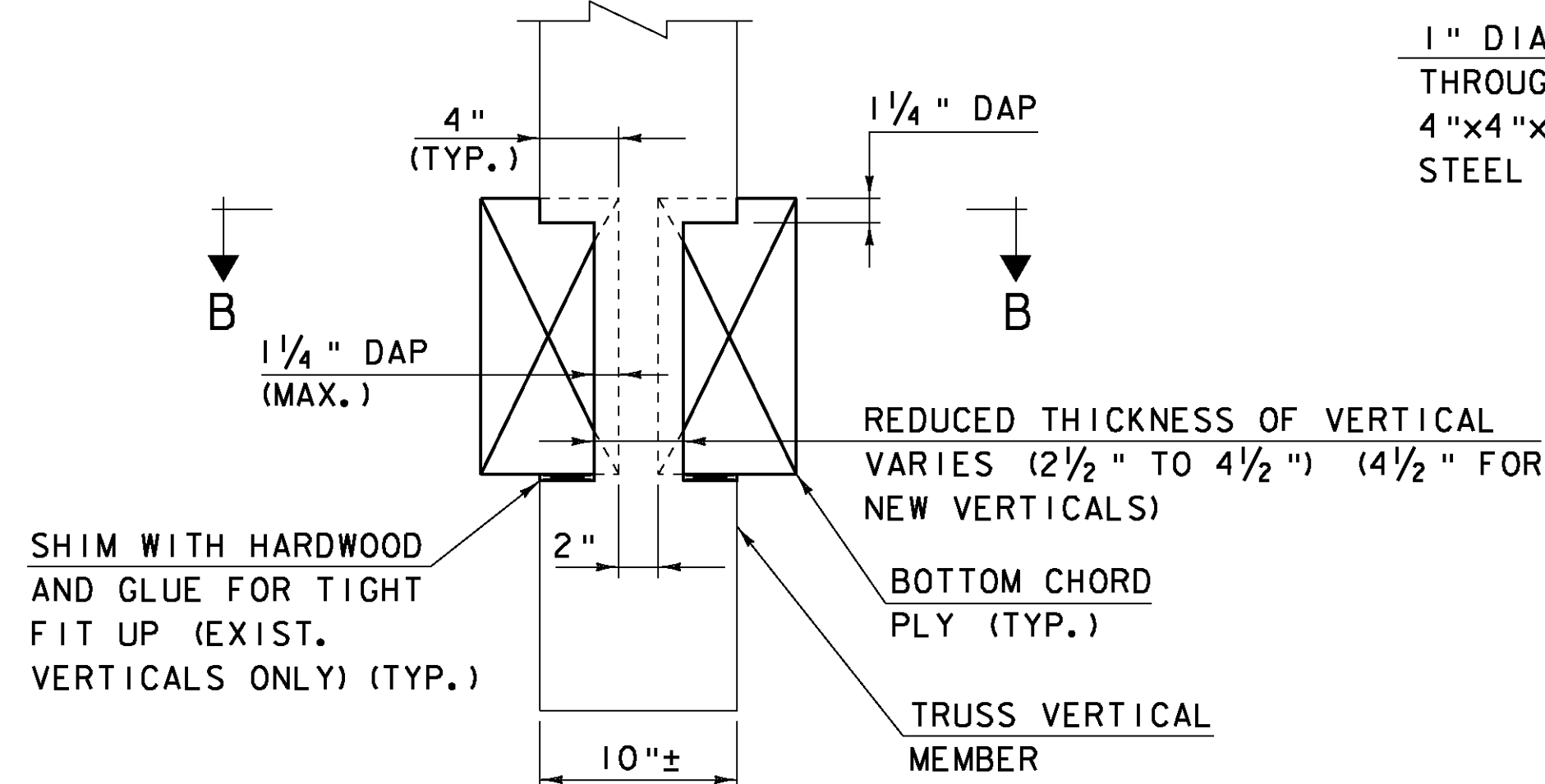
DETAIL "B"
SCALE: 1/2" = 1'-0"



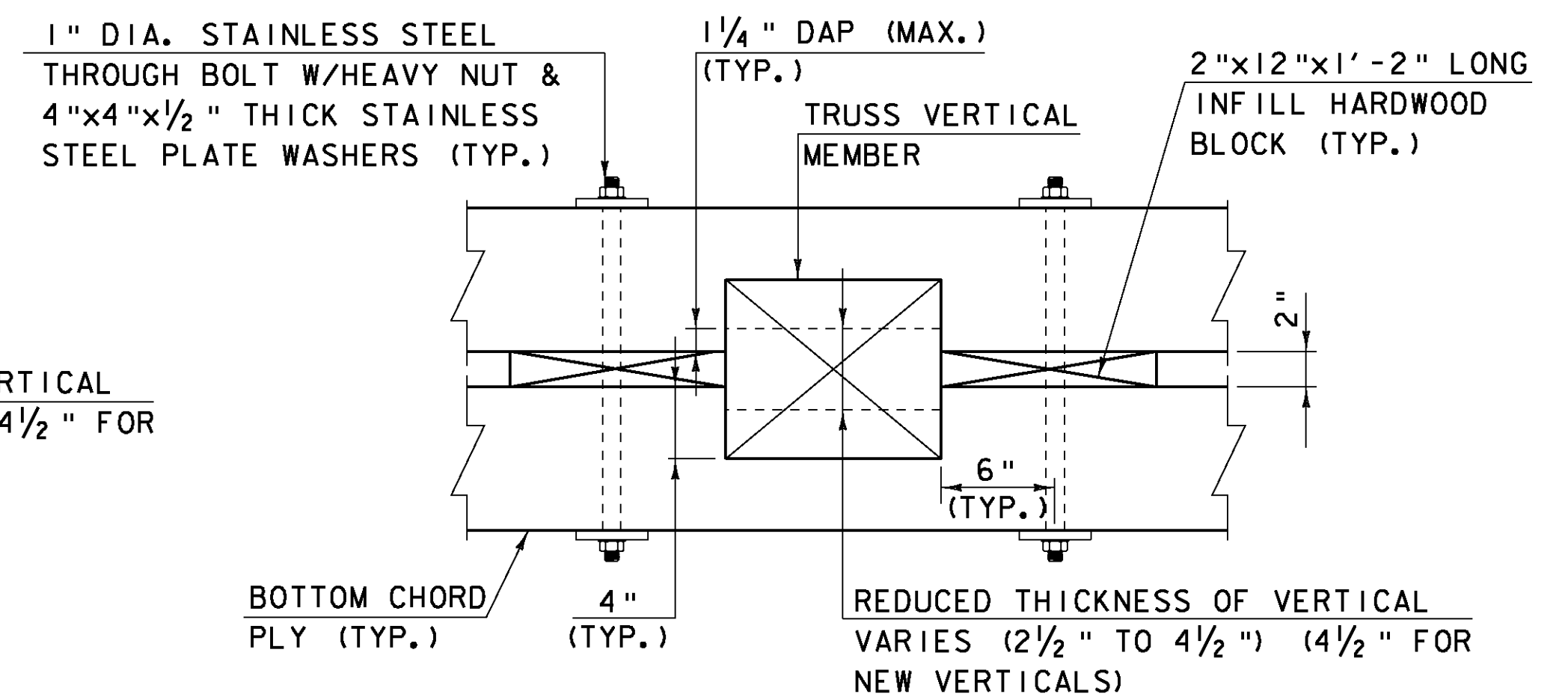
DETAIL "C"
SCALE: 1/2" = 1'-0"



NOTE: SEE LOWER BRACING PLAN FOR ALTERNATE DETAIL AT BRACING.
VERTICAL TO BOTTOM CHORD CONNECTION DETAIL
(ELEVATION VIEW)
SCALE: 1/2" = 1'-0"



SECTION A-A
SCALE: 1/2" = 1'-0"



SECTION B-B
SCALE: 1/2" = 1'-0"

SCALE: 1/2" = 1'-0"
1 9 6 3 0

Hoyle, Tanner & Associates, Inc.

HTA PROJECT NO. 90427 MODEL detail-1

PROJECT NAME: MIDDLEBURY-WEYBRIDGE

PROJECT NUMBER: BHO 1445(33)

FILE NAME: z06j086d11.dgn
PROJECT LEADER: M.D.SARGENT
DESIGNED BY: J.BICJA
BRIDGE DETAILS (1 OF 4)

PLOT DATE: 9/20/2011
DRAWN BY: J.B.McQUAID
CHECKED BY: S.T.JAMES
SHEET 45 OF 66