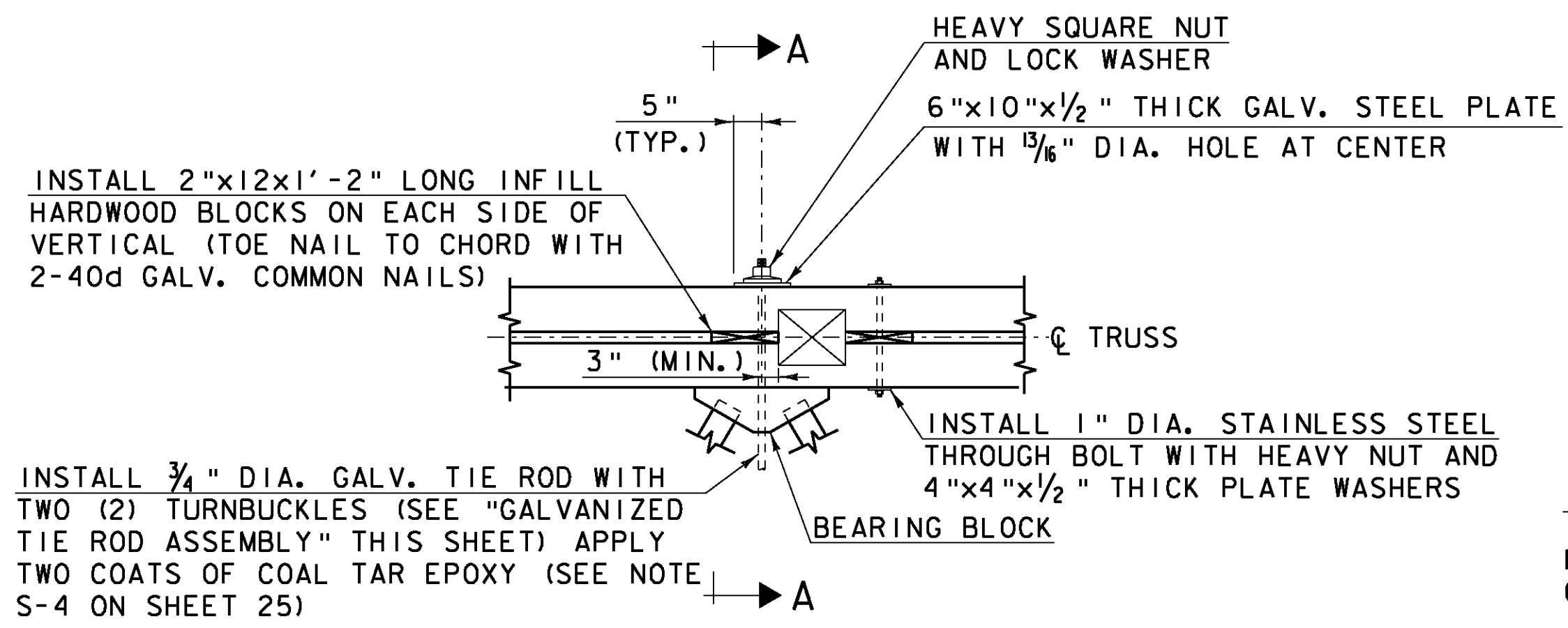
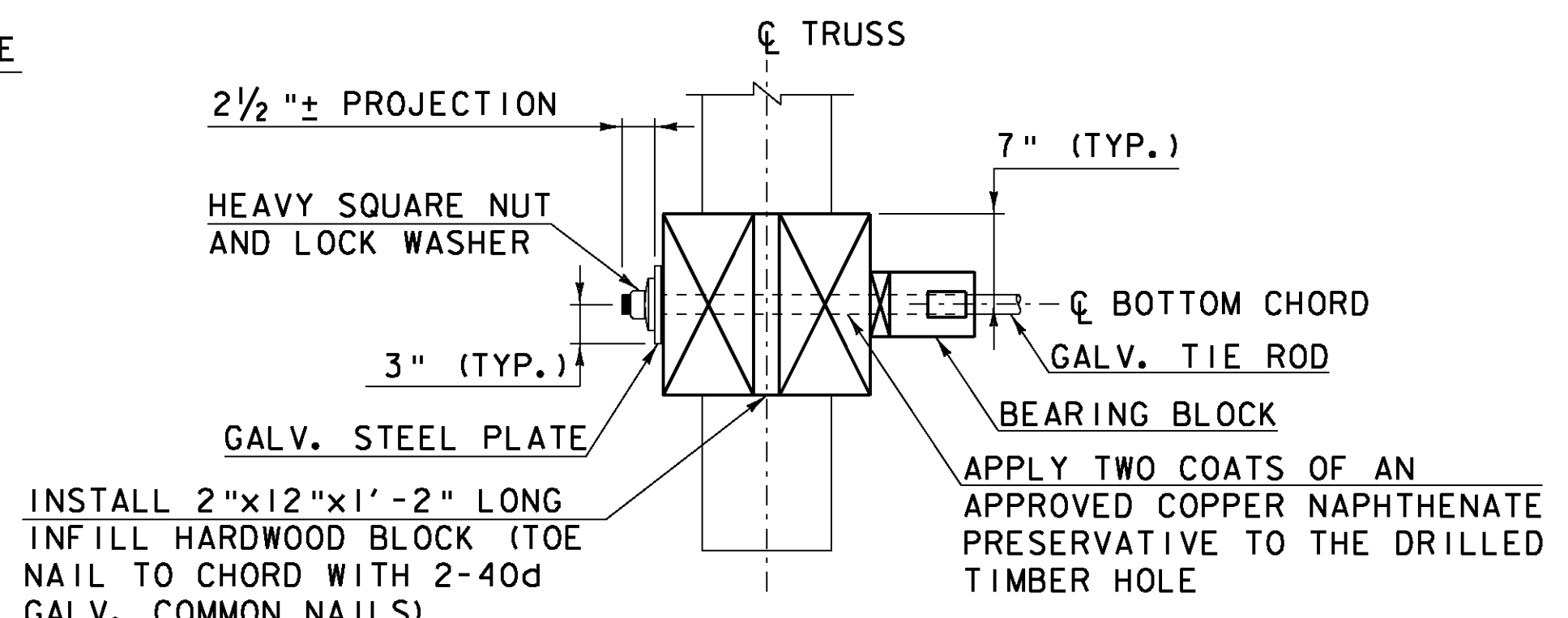


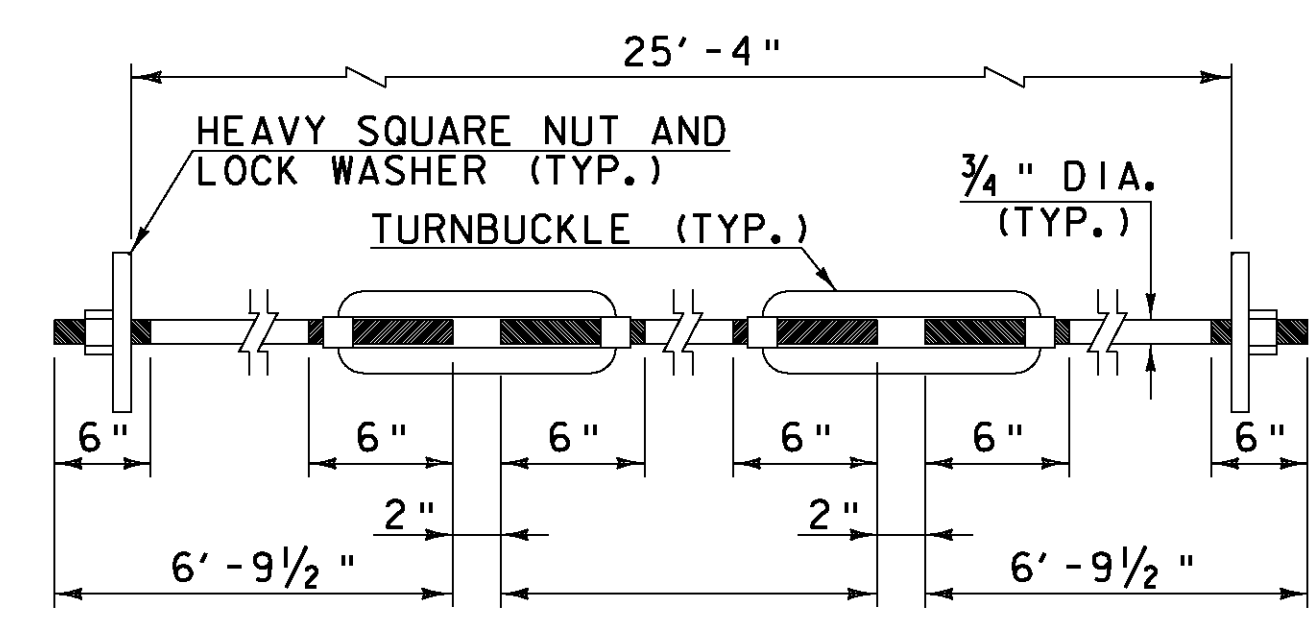
LOWER LATERAL BRACING PLAN
SCALE: 1/4" = 1'-0"



TIE ROD CONNECTION AT BOTTOM CHORD DETAIL
SCALE: 1/2" = 1'-0"

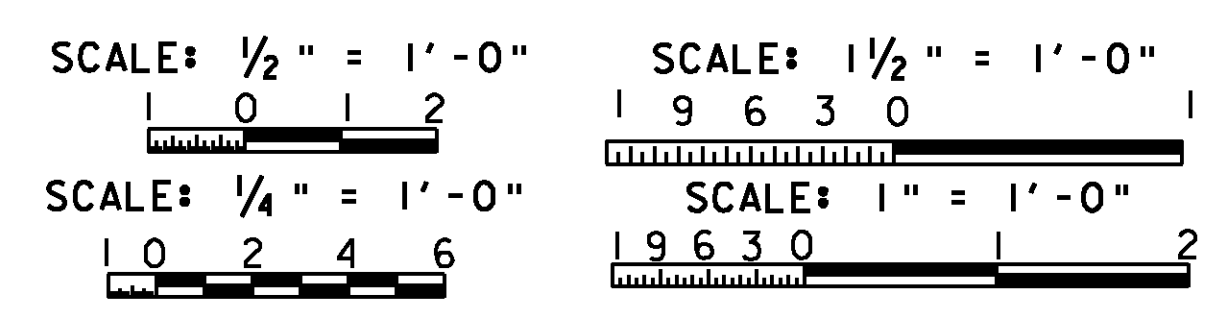


SECTION A-A
SCALE: 1" = 1'-0"



GALVANIZED TIE ROD ASSEMBLY
(7 REQUIRED)
SCALE: 1 1/2" = 1'-0"
NOTE: TIGHTEN NUTS AND TURNBUCKLES SNUG BUT NOT SO TIGHT AS TO CAUSE CRUSHING OF WOOD BEHIND THE STEEL PLATES.

- LEGEND:**
- (XXX) TRUSS NODE LOCATION
 - ⊗ BEARING BLOCK TYPE (SEE SHEET 47 FOR DETAILS)
 - ▨ NEW MEMBER



Hoyle, Tanner & Associates, Inc.

HTA PROJECT NO. 90427 MODEL lower bracing 1

PROJECT NAME: MIDDLEBURY-WEYBRIDGE	PROJECT NUMBER: BHO 1445(33)	FILE NAME: z06j086sup4.dgn	PLOT DATE: 9/20/2011
PROJECT LEADER: M.D.SARGENT	DESIGNED BY: J.BICJA	PROJECT LEADER: M.D.SARGENT	DRAWN BY: J.B.McQUAD
LOWER BRACING PLAN (1 OF 2)		CHECKED BY: S.T.JAMES	SHEET 43 OF 66