

FLOOR FRAMING PLAN

SCALE: 1/4" = 1'-0"

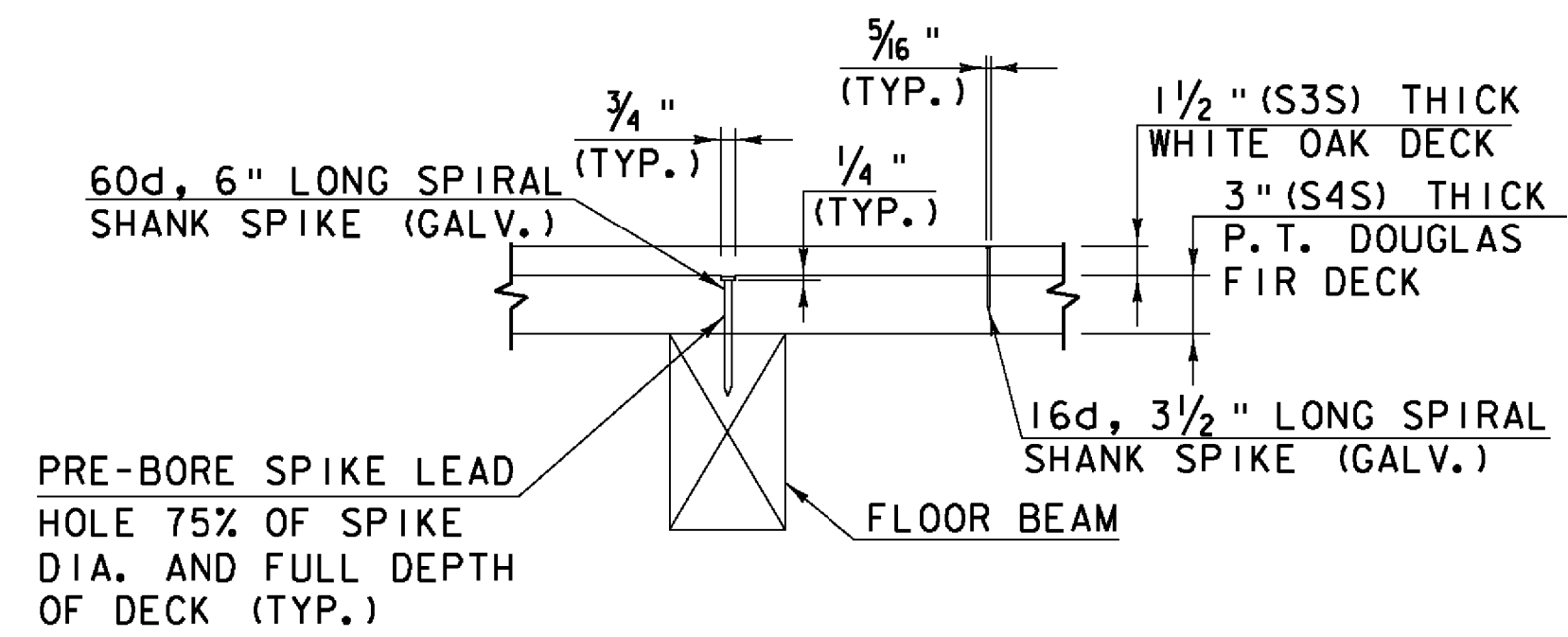
INSTALL 4"x6" (DRESSED) x 12'-0" LONG (MIN.) P.T. WOOD CURB ON 6"x6" (DRESSED) P.T. BLOCKING (TYP.)

INSTALL HARDWOOD BLOCKING EACH END OF FLOOR BEAMS OF BOTH BARRELS AS SHOWN IN SECTION A-A ON SHEET 41

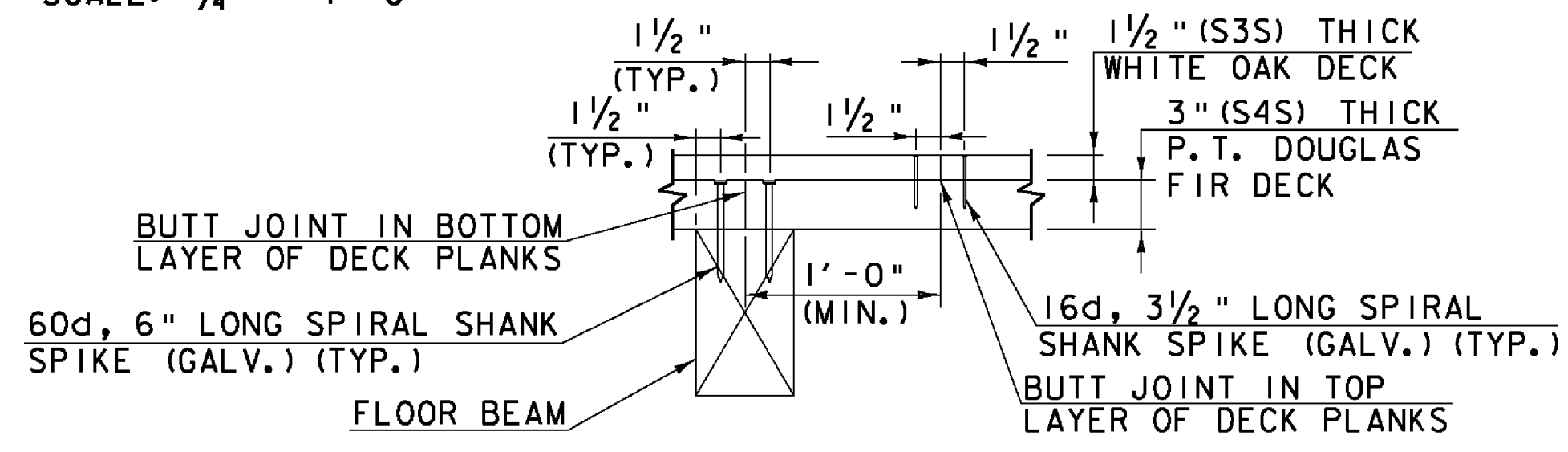
NOTCH UNDERSIDE OF FLOOR BEAM 4"x4"x3" DEEP FOR SCARFED JOINT THROUGH BOLT (TYP.)

TOE NAIL FLOOR BEAM TO DISTRIBUTION BEAM (SEE DETAIL ON SHEET 42) (TYP.)

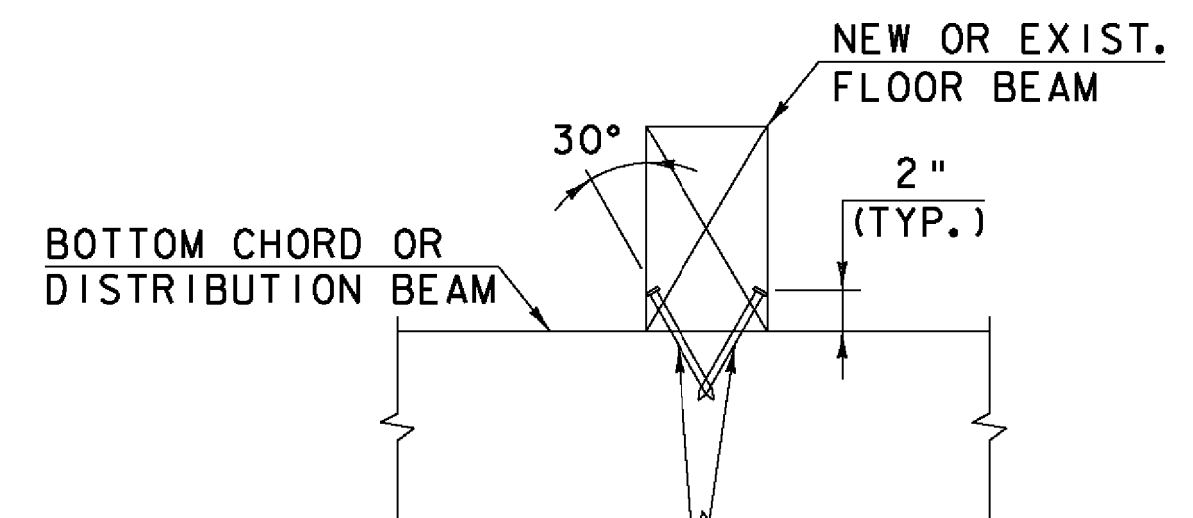
INSTALL NEW DECK. STAGGER JOINTS 3' MIN. WITH ADJACENT DECKING (TYP.) (PARTIALLY SHOWN FOR CLARITY)



DECK OVER FLOOR BEAM



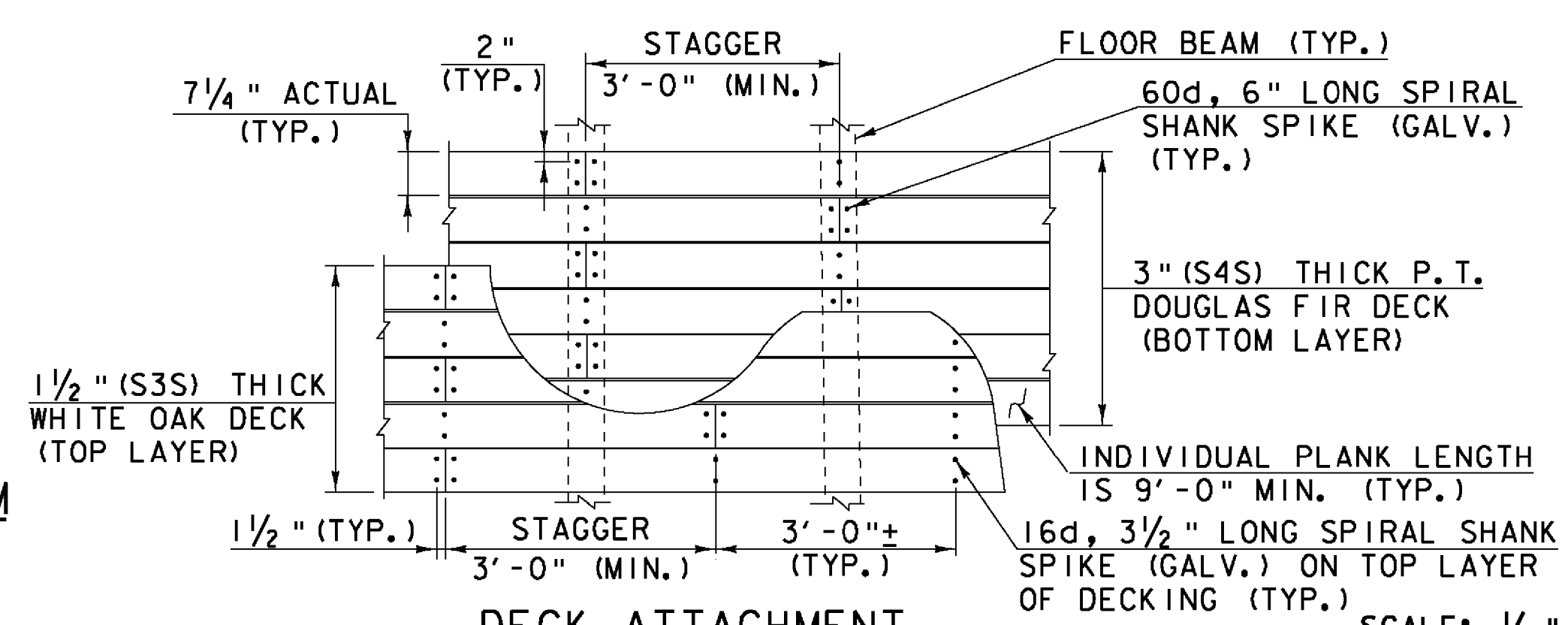
DECK BUTT JOINT OVER FLOOR BEAM



FLOOR BEAM TO BOTTOM CHORD/DISTRIBUTION BEAM TOE NAIL CONNECTION SECTION DETAIL
NOT TO SCALE

NOTE: TOE NAILING OF FLOOR BEAMS TO DISTRIBUTION BEAMS IS NOT REQUIRED AT ENDS OF DISTRIBUTION BEAMS.

DECK SPIKE DETAILS
NOT TO SCALE



DECK ATTACHMENT
NOTE: PROPOSED DECKING IS PARTIALLY SHOW FOR CLARITY
NOT TO SCALE

SHEET NOTE:
1. SEE SHEET 41 FOR NOTES THAT APPLY TO THIS SHEET.

- LEGEND:**
- (XXX) TRUSS NODE LOCATION
 - ▬ PREDETERMINED MEMBER TO BE REPLACED
 - ▨ NEW MEMBER
 - ▩ MEMBER TO BE REPLACED AND SALVAGED FOR REUSE AT OTHER LOCATION

Hoyle, Tanner & Associates, Inc.

HTA PROJECT NO. 904217 MODEL framing2

PROJECT NAME:	MIDDLEBURY-WEYBRIDGE	PLOT DATE:	9/20/2011
PROJECT NUMBER:	BHO 1445(33)	DRAWN BY:	J.B.McQUAID
FILE NAME:	z06j086sup4.dgn	DESIGNED BY:	J.BICJA
PROJECT LEADER:	M.D.SARGENT	CHECKED BY:	S.T.JAMES
FLOOR FRAMING PLAN & DETAILS (2 OF 2)		SHEET 42 OF 66	