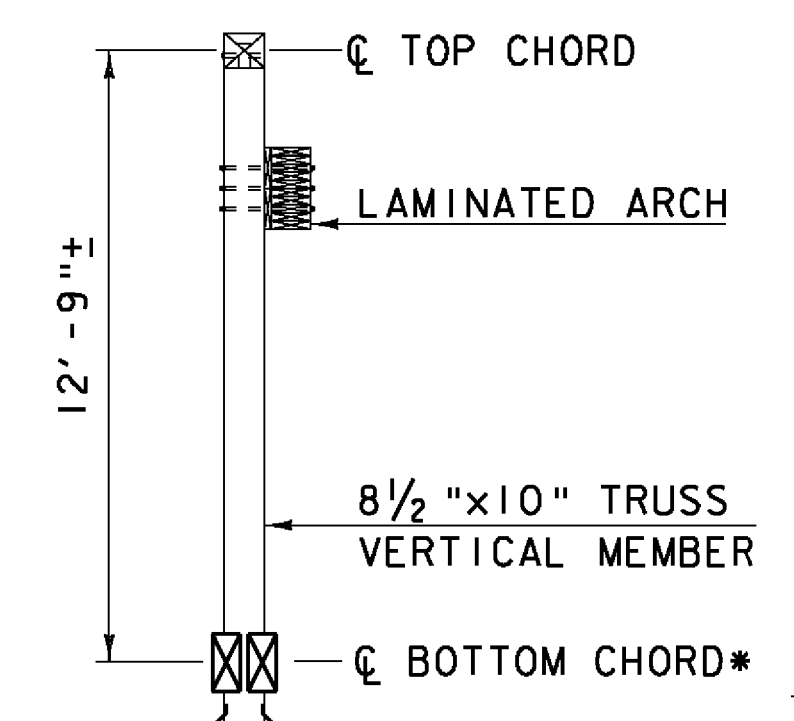


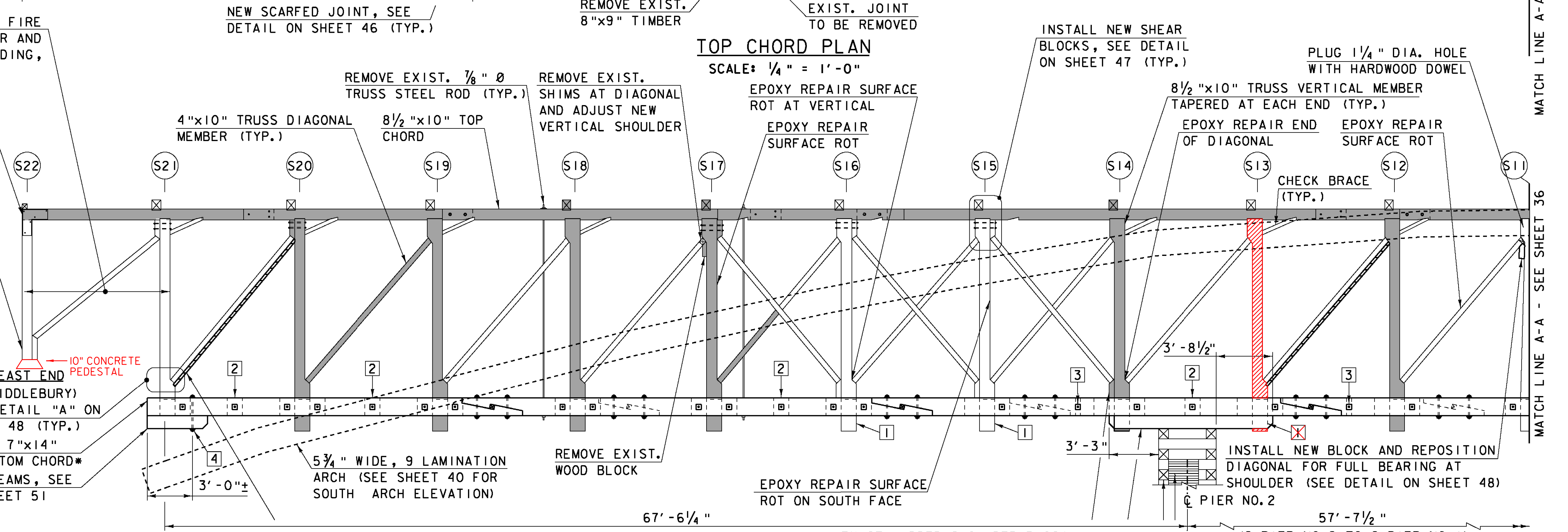
TOP CHORD PLAN
SCALE: 1/4" = 1'-0"

LIMITS OF SIDING END RETURN. INSTALL FIRE ALARM ELECTRICAL PANEL, UTILITY METER AND CIRCUIT BREAKER PANEL IN INTERIOR SIDING, SEE DETAIL ON SHEET 48

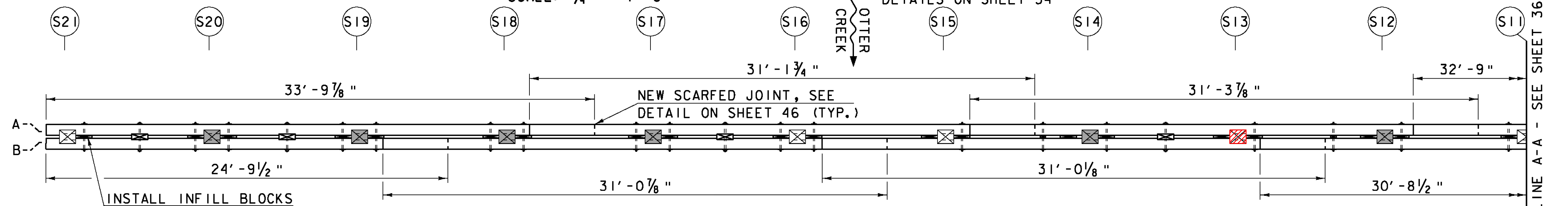
RETAIN EXIST. CONNECTION
APPLY ONE EVEN COAT OF AN APPROVED CLEAR WATER SEALER FOR LOWER 4' OF VERTICAL (INCIDENTAL TO ITEM 660.30)



TYPICAL TRUSS SECTION
SCALE: 1/4" = 1'-0"



SOUTH TRUSS INSIDE ELEVATION (LOOKING SOUTH/UPSTREAM)
SCALE: 1/4" = 1'-0"

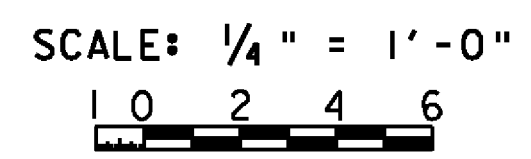


BOTTOM CHORD PLAN
SCALE: 1/4" = 1'-0"

*NOTE: BOTTOM CHORD IS TO BE REPLACED IN ITS ENTIRETY AND IT IS NOT SHOWN SHADED FOR CLARITY.

LEGEND:

- (XXX) TRUSS NODE LOCATION
- PREDETERMINED MEMBER TO BE REPLACED
- NEW MEMBER
- REPLACE THROUGH BOLT & PLATE (SEE DETAIL ON SHEET 48)
- INSTALL SHEAR BLOCK (SEE DETAIL ON SHEET 46)
- INSTALL THROUGH BOLT (SEE SCARFED JOINT DETAIL ON SHEET 46)
- INSTALL THROUGH BOLT (SEE DETAILS ON SHEET 51 OR 54)



Hoyle, Tanner & Associates, Inc.
HTA PROJECT NO. 904217 MODEL truss_south_1

PROJECT NAME: MIDDLEBURY-WEYBRIDGE	PLOT DATE: 9/20/2011
PROJECT NUMBER: BHO 1445(33)	DRAWN BY: J.B.McQUAID
FILE NAME: z06j086sup.dgn	CHECKED BY: S.T.JAMES
PROJECT LEADER: M.D.SARGENT	SHEET 35 OF 66
DESIGNED BY: J.BICJA	
SOUTH TRUSS ELEV. & PLAN (1 OF 2)	

MATCH LINE A-A - SEE SHEET 36