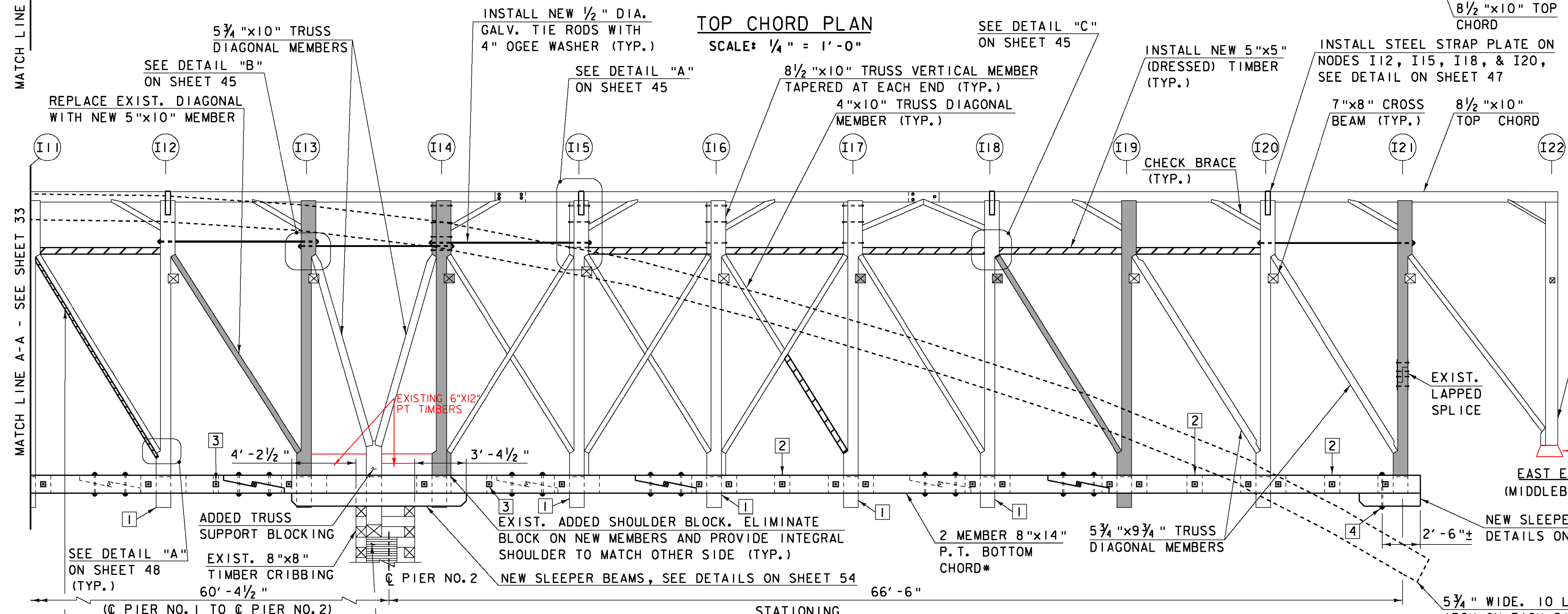
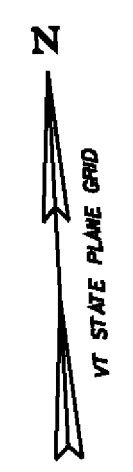


MATCH LINE A-A - SEE SHEET 33

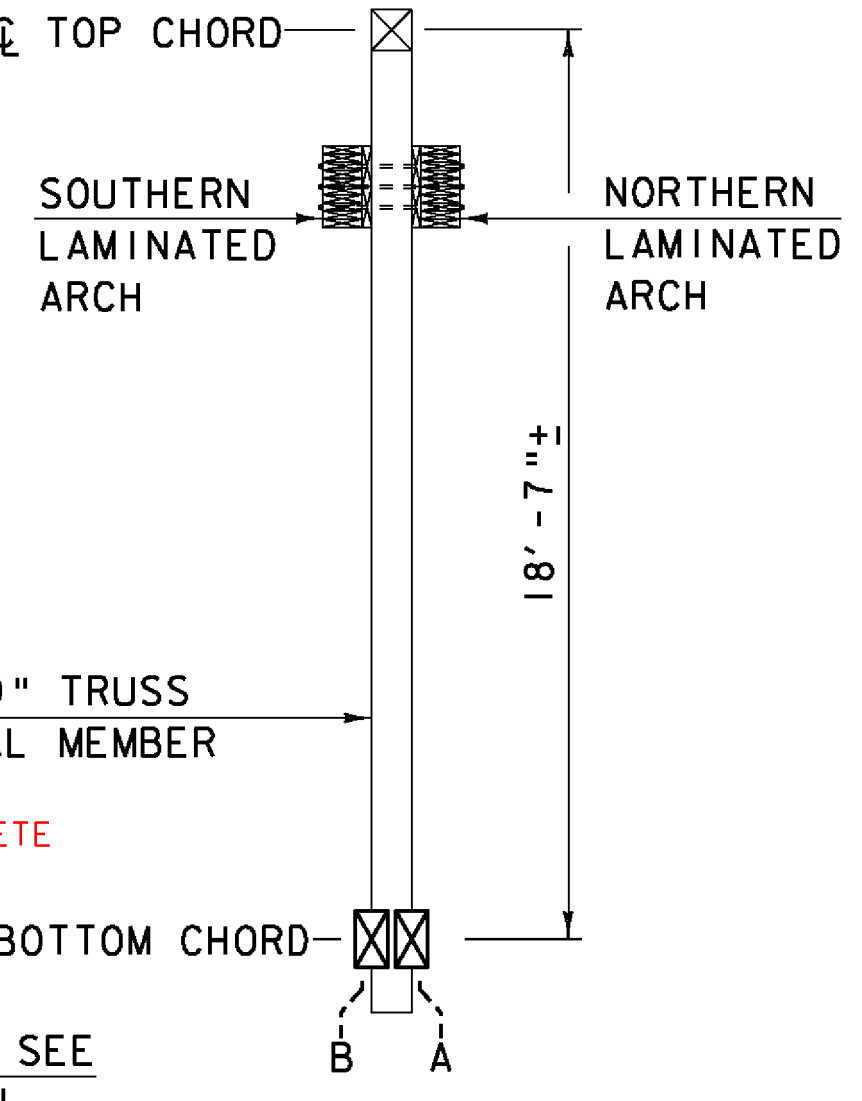
I11 I12 I13 I14 I15 I16 I17 I18 I19 I20 I21 I22

OTTER CREEK

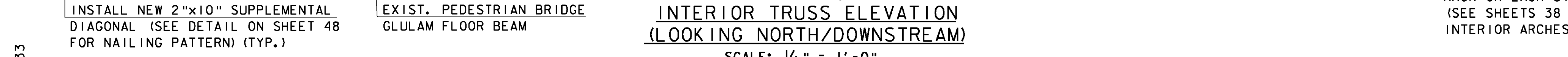


**TOP CHORD PLAN**  
SCALE: 1/4" = 1'-0"

APPLY ONE EVEN COAT OF AN APPROVED CLEAR WATER SEALER FOR LOWER 4' OF VERTICAL (INCIDENTAL TO ITEM 660.30)

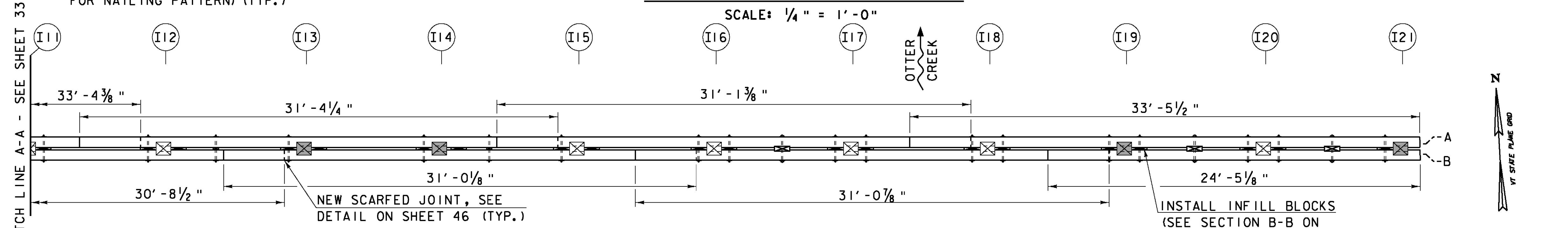


**TYPICAL TRUSS SECTION**  
SCALE: 1/4" = 1'-0"



**INTERIOR TRUSS ELEVATION (LOOKING NORTH/DOWNSTREAM)**  
SCALE: 1/4" = 1'-0"

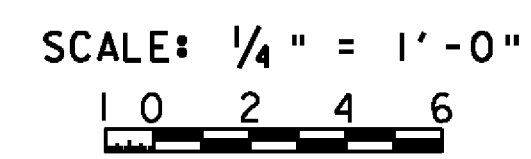
- LEGEND:**
- XXX TRUSS NODE LOCATION
  - PREDETERMINED MEMBER TO BE REPLACED
  - NEW MEMBER
  - 1 REPLACE THROUGH BOLT & PLATE (SEE DETAIL ON SHEET 48)
  - 2 INSTALL SHEAR BLOCK (SEE DETAIL ON SHEET 46)
  - 3 INSTALL THROUGH BOLT (SEE SCARFED JOINT DETAIL ON SHEET 46)



**BOTTOM CHORD PLAN**  
SCALE: 1/4" = 1'-0"

\*NOTE: BOTTOM CHORD IS TO BE REPLACED IN ITS ENTIRETY AND IT IS NOT SHOWN SHADED FOR CLARITY.

**SHEET NOTE:**  
1. VERTICAL AT NODES 13 AND 14 ARE BEING REPLACED DUE TO INADEQUATE STRUCTURAL CAPACITY AND NOT DUE TO CONDITION.



**Hoyle, Tanner & Associates, Inc.**

HTA PROJECT NO. 904217 MODEL truss interior 2

|   |                       |
|---|-----------------------|
| PROJECT NAME: MIDDLEBURY-WEYBRIDGE              | PLOT DATE: 9/20/2011  |
| PROJECT NUMBER: BHO 1445(33)                    | DRAWN BY: J.B.McQUAID |
| FILE NAME: z06j086sup.dgn                       | CHECKED BY: S.T.JAMES |
| PROJECT LEADER: M.D.SARGENT                     | DESIGNED BY: J.BICJA  |
| <b>INTERIOR TRUSS ELEV. &amp; PLAN (2 OF 2)</b> |                       |
| SHEET 34 OF 66                                  |                       |