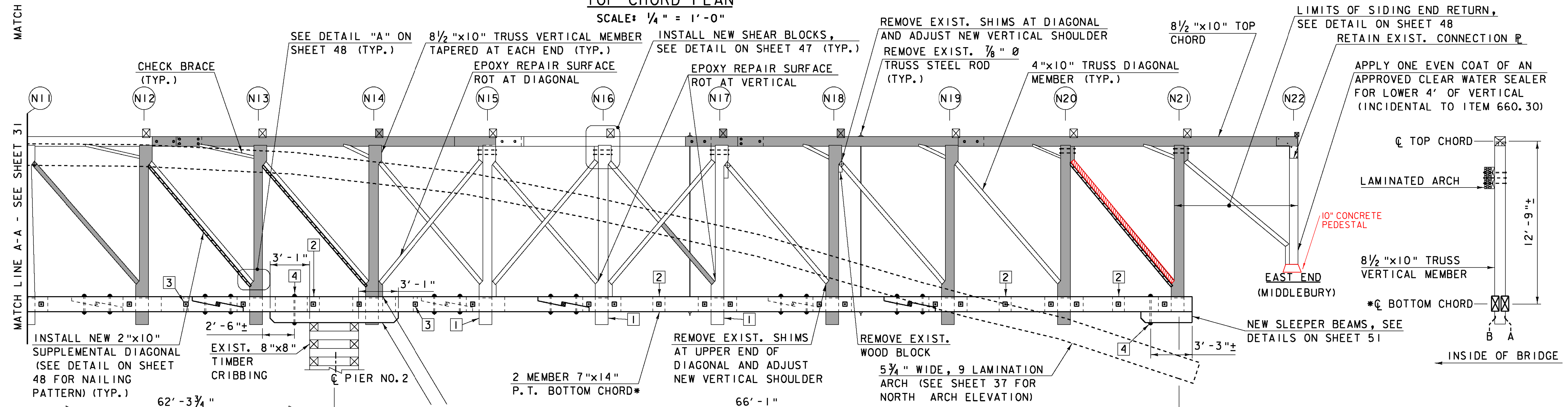
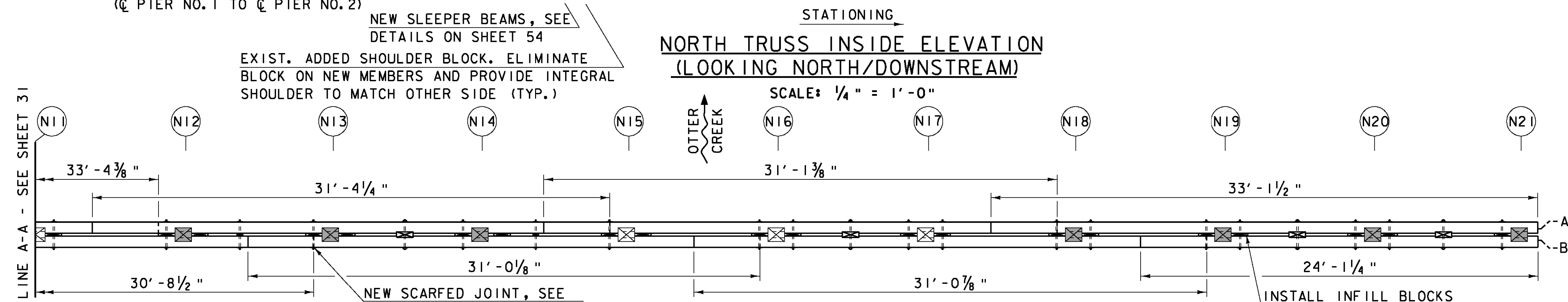


**TOP CHORD PLAN**  
SCALE: 1/4" = 1'-0"



**NORTH TRUSS INSIDE ELEVATION (LOOKING NORTH/DOWNSTREAM)**  
SCALE: 1/4" = 1'-0"

**TYPICAL TRUSS SECTION**  
SCALE: 1/4" = 1'-0"



**BOTTOM CHORD PLAN**  
SCALE: 1/4" = 1'-0"

\*NOTE: BOTTOM CHORD IS TO BE REPLACED IN ITS ENTIRETY AND IT IS NOT SHOWN SHADED FOR CLARITY.

- LEGEND:**
- XXX TRUSS NODE LOCATION
  - PREDETERMINED MEMBER TO BE REPLACED
  - NEW MEMBER
  - 1 REPLACE THROUGH BOLT & PLATE (SEE DETAIL ON SHEET 48)
  - 2 INSTALL SHEAR BLOCK (SEE DETAIL ON SHEET 46)
  - 3 INSTALL THROUGH BOLT (SEE SCARFED JOINT DETAIL ON SHEET 46)
  - 4 INSTALL THROUGH BOLT (SEE DETAILS ON SHEET 51 OR 54)

MATCH LINE A-A - SEE SHEET 31

MATCH LINE A-A - SEE SHEET 31

SCALE: 1/4" = 1'-0"  
1 0 2 4 6

**Hoyle, Tanner & Associates, Inc.**  
HTA PROJECT NO. 904217 MODEL truss north 2

PROJECT NAME: MIDDLEBURY-WEYBRIDGE	PLOT DATE: 9/20/2011
PROJECT NUMBER: BHO 1445(33)	DRAWN BY: J.B.McQUAID
FILE NAME: z06j086sup.dgn	CHECKED BY: S.T.JAMES
PROJECT LEADER: M.D.SARGENT	SHEET 32 OF 66
DESIGNED BY: J.BICJA	
<b>NORTH TRUSS ELEV. &amp; PLAN (2 OF 2)</b>	