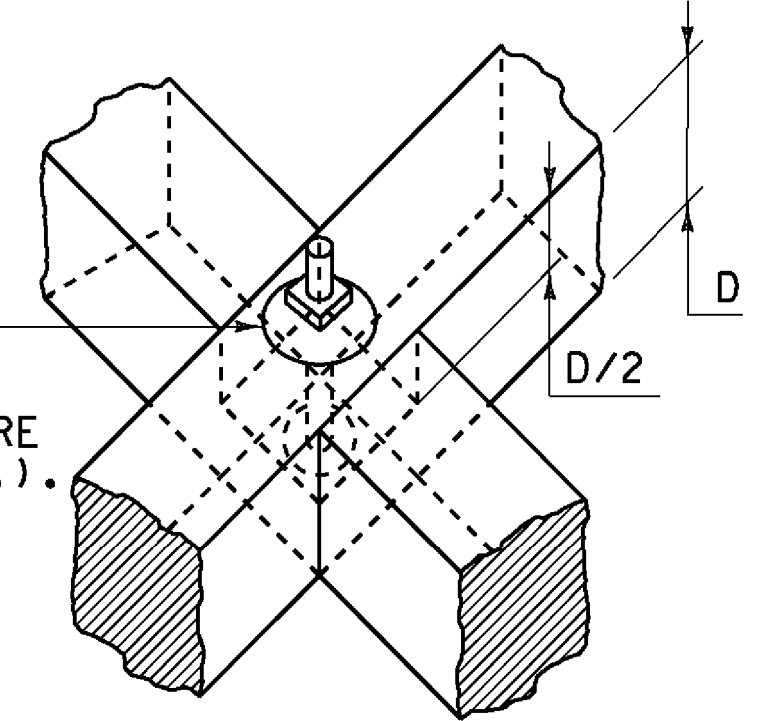
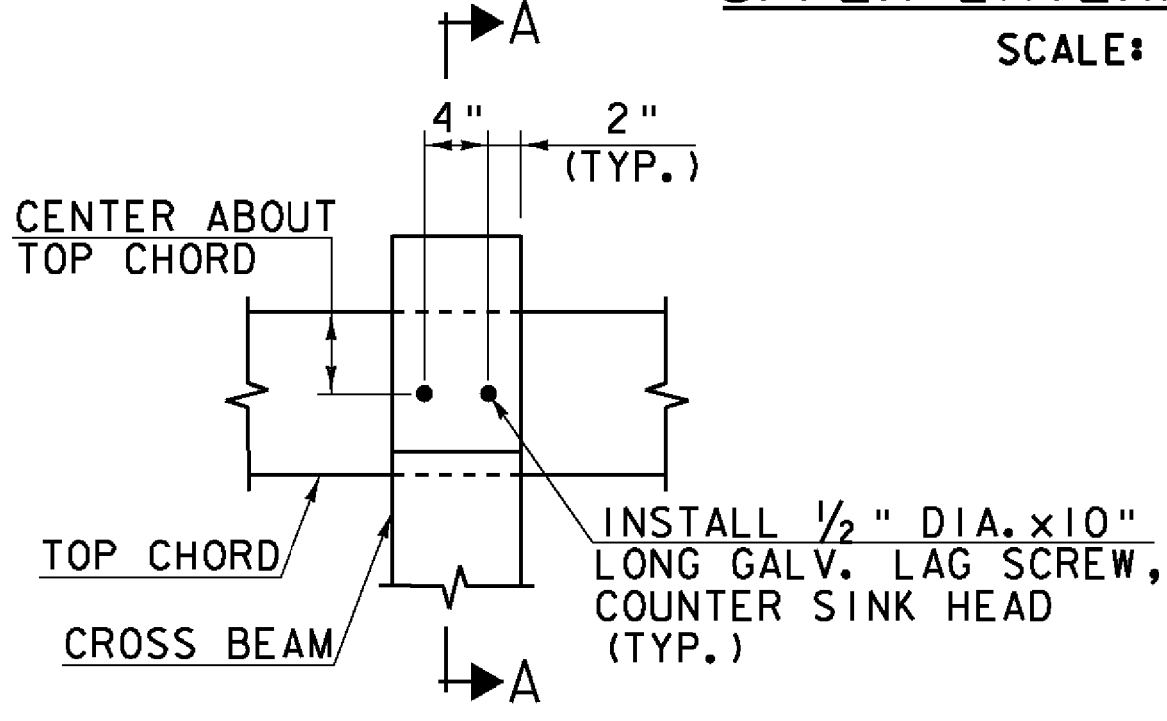


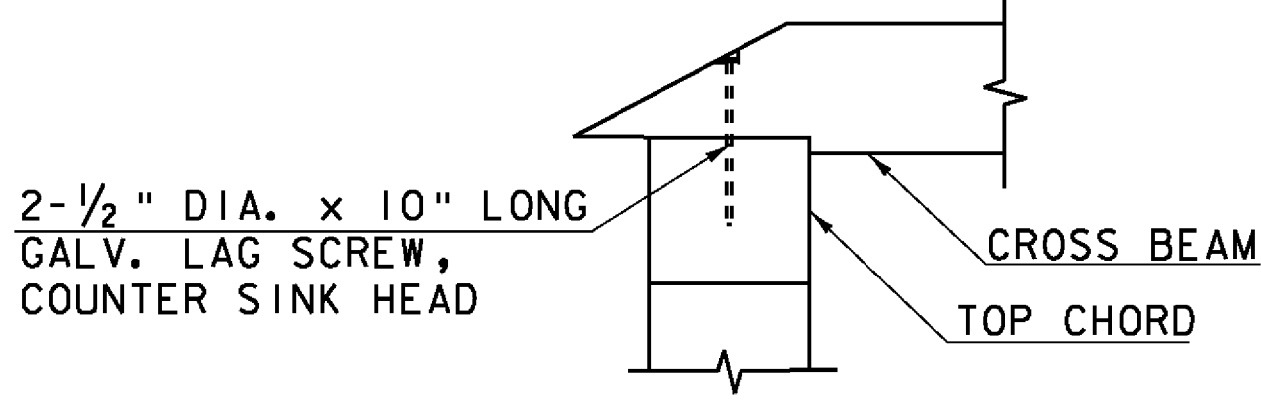
NOTE: INTERIOR TRUSS TOP CHORD NOT SHOWN FOR CLARITY.
UPPER LATERAL BRACING PLAN
 SCALE: 1/4" = 1'-0"



DETAIL "A"
 NOT TO SCALE



DETAIL "B"
 SCALE: 1" = 1'-0"

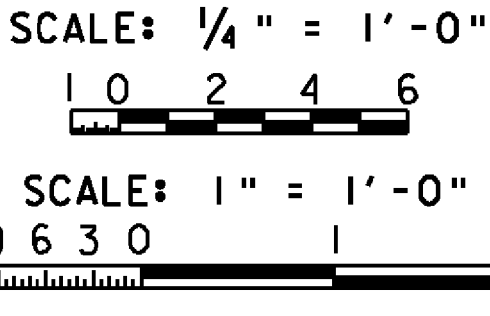


SECTION A-A
 SCALE: 1" = 1'-0"

- LEGEND:**
- (XXX) TRUSS NODE LOCATION
 - ▬ PREDETERMINED MEMBER TO BE REPLACED
 - ▨ SALVAGED MEMBER (SEE NOTE 1)
 - E - PROPOSED ELECTRIC

PLAN NOTES:

1. ~~EXISTING LOWER LATERAL BRACING SHALL BE REMOVED AND PLANED DOWN TO A 4"x4" DIMENSION PRIOR TO INSTALLING IT IN THE UPPER BRACING. EXISTING LUMBER WAS IDENTIFIED AS SOUTHERN PINE.~~
2. ~~MATERIAL CERTIFICATIONS FOR REUSED LOWER LATERAL BRACING ARE NOT REQUIRED.~~
3. ~~ALL COSTS ASSOCIATED WITH THE SALVAGING OF EXISTING LOWER LATERAL BRACING, ITS MODIFICATIONS FOR REUSE AND INSTALLATION AS UPPER LATERAL BRACING IS INCLUDED IN ITEM 900.645, SPECIAL PROVISION (REHABILITATING COVERED BRIDGE SUPERSTRUCTURE).~~



Hoyle, Tanner & Associates, Inc.
 HTA PROJECT NO. 904217 MODEL BracUp1

PROJECT NAME: MIDDLEBURY-WEYBRIDGE	PLOT DATE: 9/20/2011
PROJECT NUMBER: BHO 1445(33)	DRAWN BY: J.B.McQUAID
FILE NAME: z06j086supl.dgn	CHECKED BY: S.T.JAMES
PROJECT LEADER: M.D.SARGENT	
DESIGNED BY: J.BICJA	
UPPER LATERAL BRACING PLAN (1 OF 2)	SHEET 29 OF 66