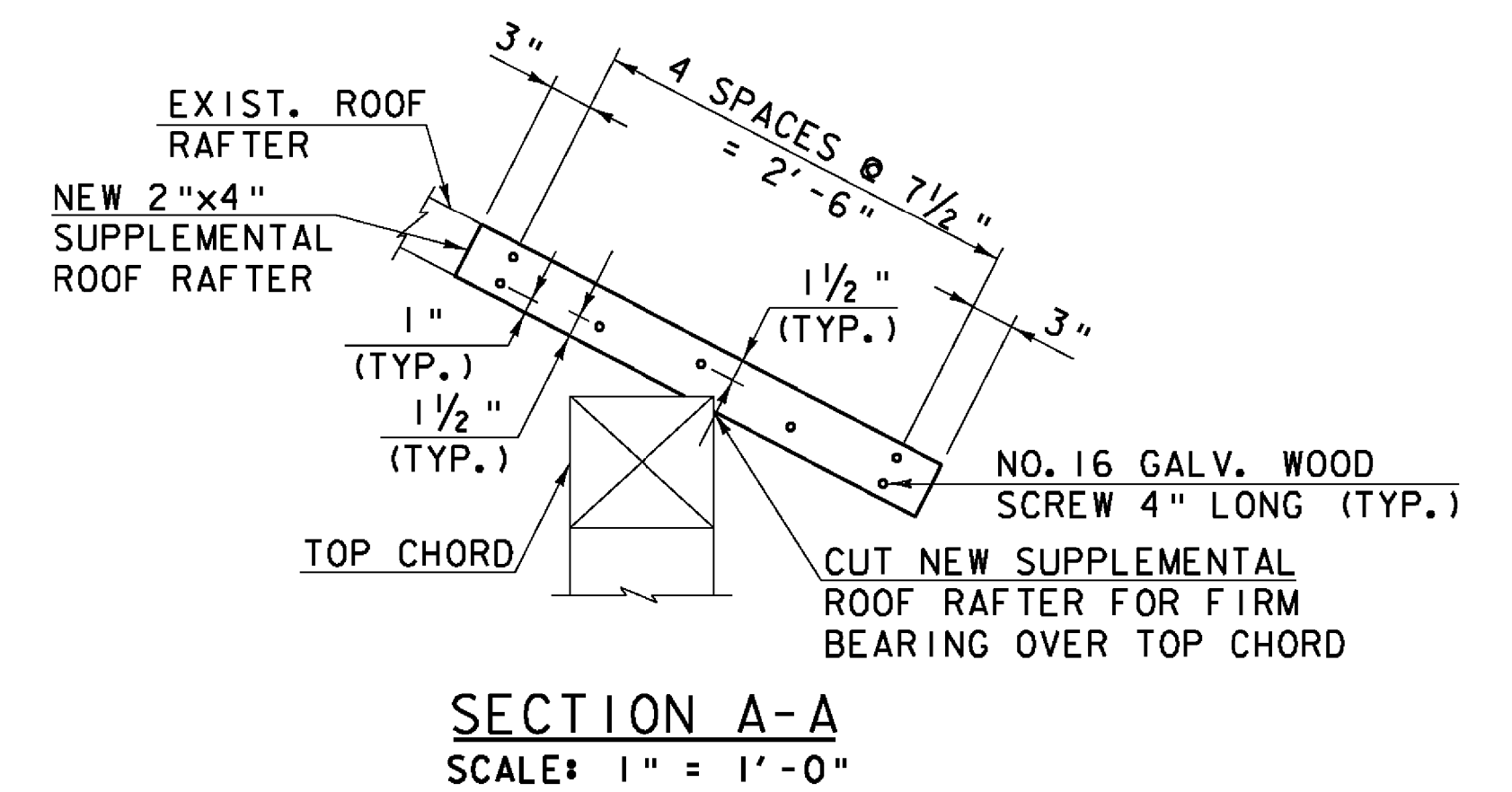
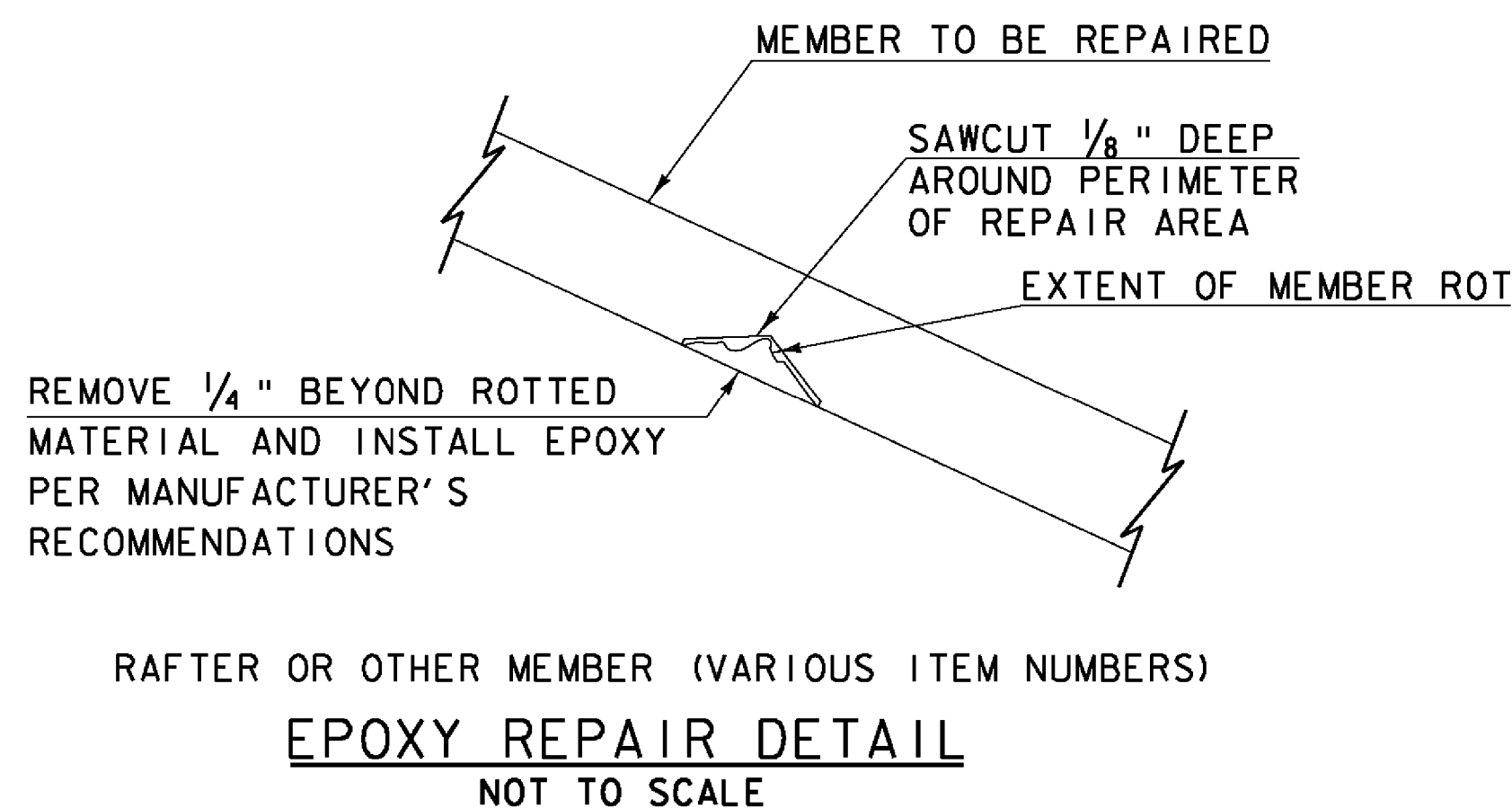


**RECOMMENDED REPAIR SEQUENCE:**

- R-1. IDENTIFIED ROTTED MATERIAL IN LUMBER AND TIMBER MEMBERS, IF LESS THAN 1 INCH IN DEPTH, SHALL BE REPAIRED AS SHOWN ON THE "EPOXY REPAIR DETAIL". IF ROT IS GREATER THAN 1 INCH IN DEPTH, THE ENTIRE MEMBER SHALL BE REPLACED AS DIRECTED BY THE RESIDENT ENGINEER.
- R-2. REMOVE ALL ROTTED MATERIAL TO A MINIMUM OF 1/4" BEYOND EXTENT OF ROT. SAWCUT 1/8" DEEP AROUND PERIMETER OF REPAIR AREA.
- R-3. CLEAN EXISTING MEMBER OF ALL DIRT, SAWDUST, ETC. AND PREPARE SURFACE PER MANUFACTURER'S RECOMMENDATIONS.
- R-4. INSTALL/INJECT APPROVED EPOXY REPAIR MATERIAL PER MANUFACTURER'S RECOMMENDATIONS, (PAID UNDER ITEM 900.620, SPECIAL PROVISION (WOOD EPOXY REPAIRS)). COLOR OF REPAIR MATERIAL TO MATCH EXISTING WOOD. A COMPLETED TEST SECTION SHALL BE MADE FOR APPROVAL BY THE RESIDENT ENGINEER.
- R-5. INSTALL TWO GALVANIZED LAG SCREWS INTO EXISTING SPLIT THROUGH REPAIR MATERIAL (IF REQUIRED). SIZE OF LAG SCREWS TO BE DETERMINED BY THE RESIDENT ENGINEER.
- R-6. SEE NOTE W-5 ON SHEET 25 AND NOTE I ON SHEET 48 FOR ALL WORK TO BE PAID FOR UNDER ITEM 900.620, SPECIAL PROVISION (WOOD EPOXY REPAIRS).

STATIONING  
**ROOF FRAMING PLAN**  
SCALE: 1/4" = 1'-0"



- LEGEND:**
- XXX TRUSS NODE LOCATION
  - PREDETERMINED MEMBER TO BE REPLACED
  - NEW SUPPLEMENTAL RAFTER

SCALE: 1/4" = 1'-0"  
1 0 2 4 6  
SCALE: 1" = 1'-0"  
1 9 6 3 0 1 2

**Hoyle, Tanner & Associates, Inc.**

PROJECT NAME: MIDDLEBURY-WEYBRIDGE  
PROJECT NUMBER: BHO 1445(33)

FILE NAME: z06j086supl.dgn  
PROJECT LEADER: M.D.SARGENT  
DESIGNED BY: J.BICJA  
PLOT DATE: 10/3/2011  
DRAWN BY: J.B.McQUAID  
CHECKED BY: S.T.JAMES

**ROOF FRAMING PLAN & DETAILS (1 OF 2)** SHEET 27 OF 66