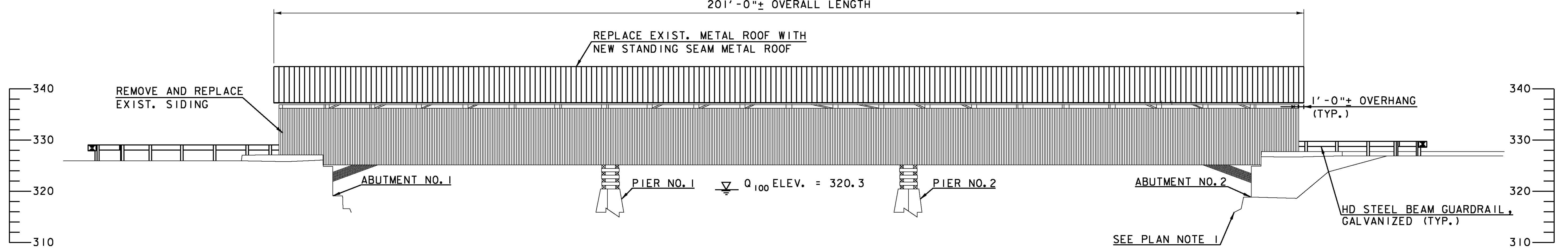


PLAN
SCALE: 1" = 10'-0"

201'-0"± OVERALL LENGTH



ELEVATION AT UPSTREAM FASCIA
SCALE: 1" = 10'-0"

PLAN NOTES:

1. TOPOGRAPHIC SURVEY IS NOT AVAILABLE FOR OTTER CREEK CHANNEL BOTTOM. BOTTOM ELEVATION AND PROFILE OF CHANNEL IS NOT KNOWN.
2. PEDESTRIAN BRIDGE NOT SHOWN ON ELEVATION VIEW FOR CLARITY.
3. SEE SHEET 55 FOR GUARDRAIL LAYOUT.

SCALE: 1" = 10'-0"
10 0 10

Hoyle, Tanner & Associates, Inc.

HTA PROJECT NO. 90427 MODEL Roadway

PROJECT NAME: MIDDLEBURY-WEYBRIDGE	FILE NAME: z06j086gpe.dgn	PLOT DATE: 9/20/2011
PROJECT NUMBER: BHO 1445(33)	PROJECT LEADER: M.D.SARGENT	DRAWN BY: J.B.McQUAID
	DESIGNED BY: J.BICJA	CHECKED BY: S.T.JAMES
	COVERED BRIDGE PLAN & ELEVATION	SHEET 24 OF 66