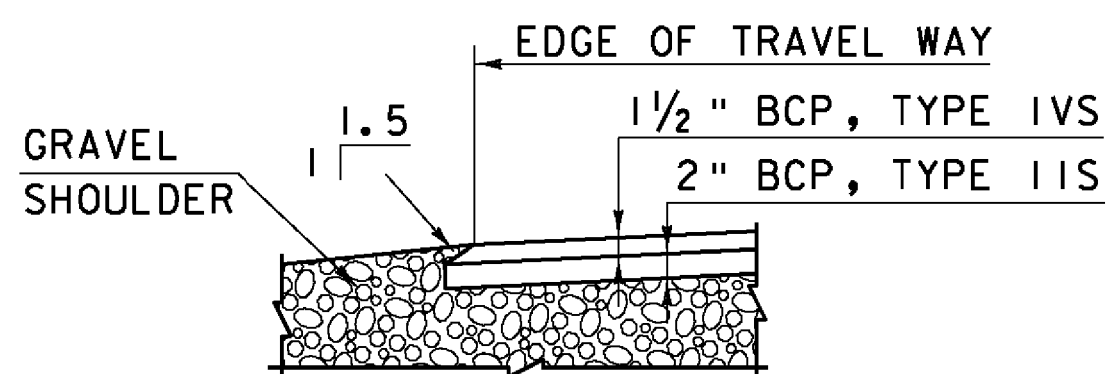


BCP = SPECIAL PROVISION (BITUMINOUS CONCRETE PAVEMENT, SMALL QUANTITY)

TYPICAL ROADWAY SECTION

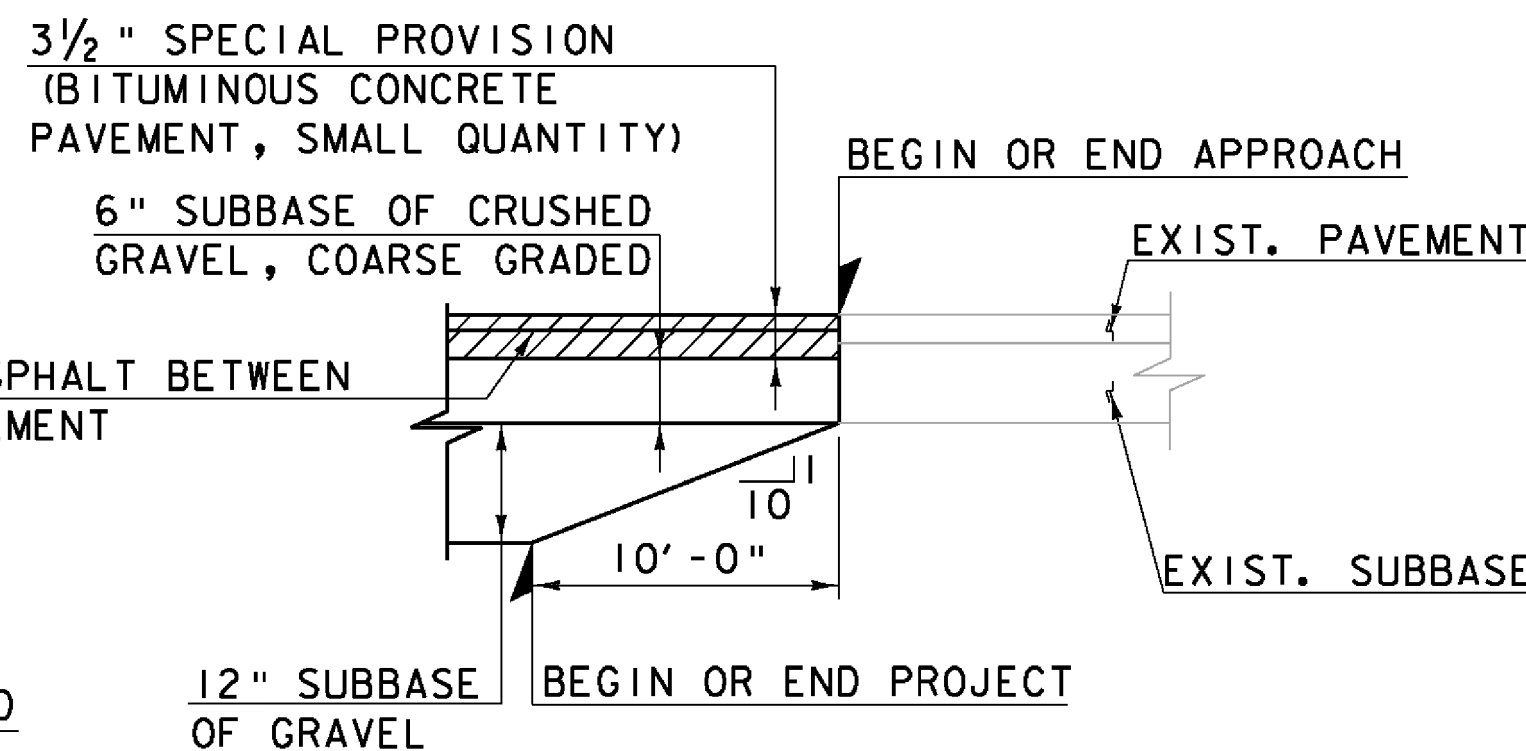
SCALE: 1/4" = 1'-0"



SAFETY EDGE DETAIL

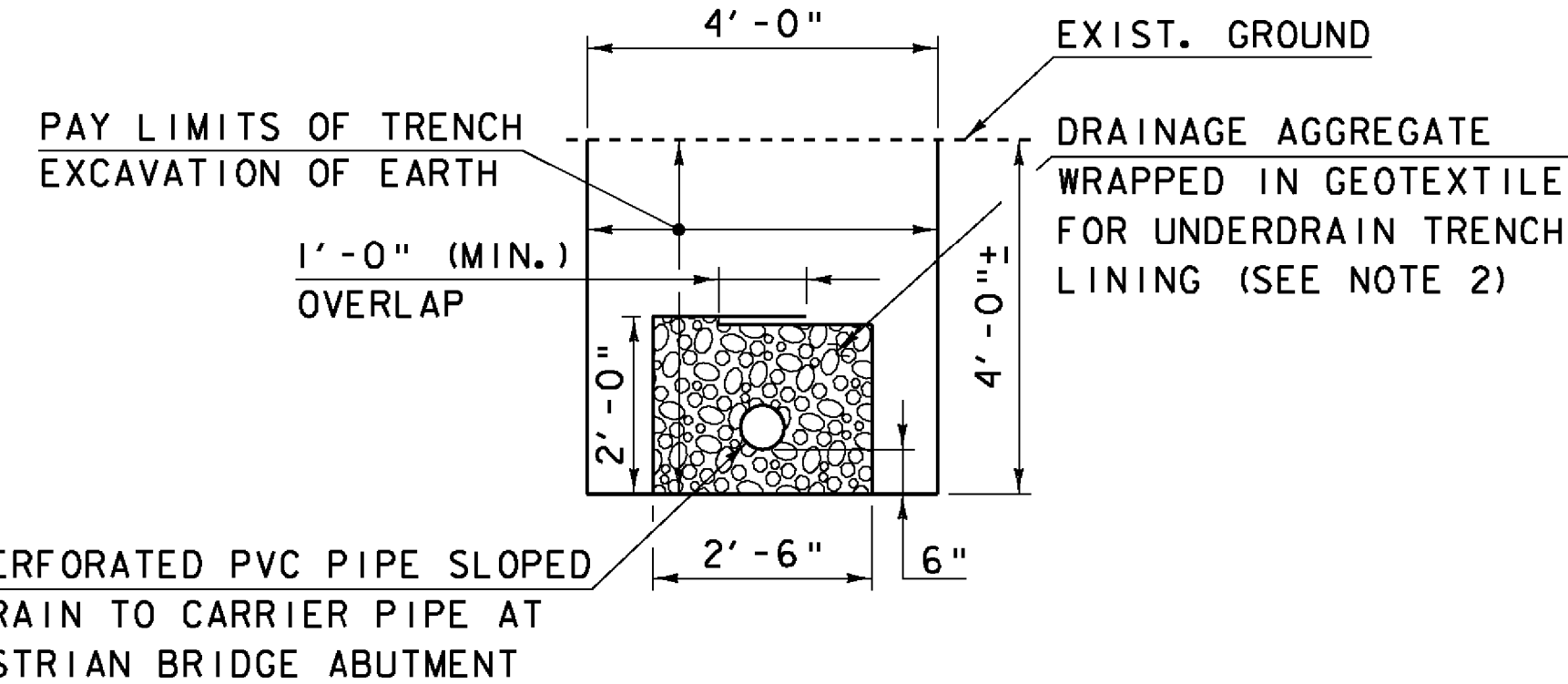
NOT TO SCALE

MATERIAL ITEM	TOLERANCE
SURFACE: -PAVEMENT	± 1/4"
BASE COURSE	± 1/2"
SUBBASE	± 1"



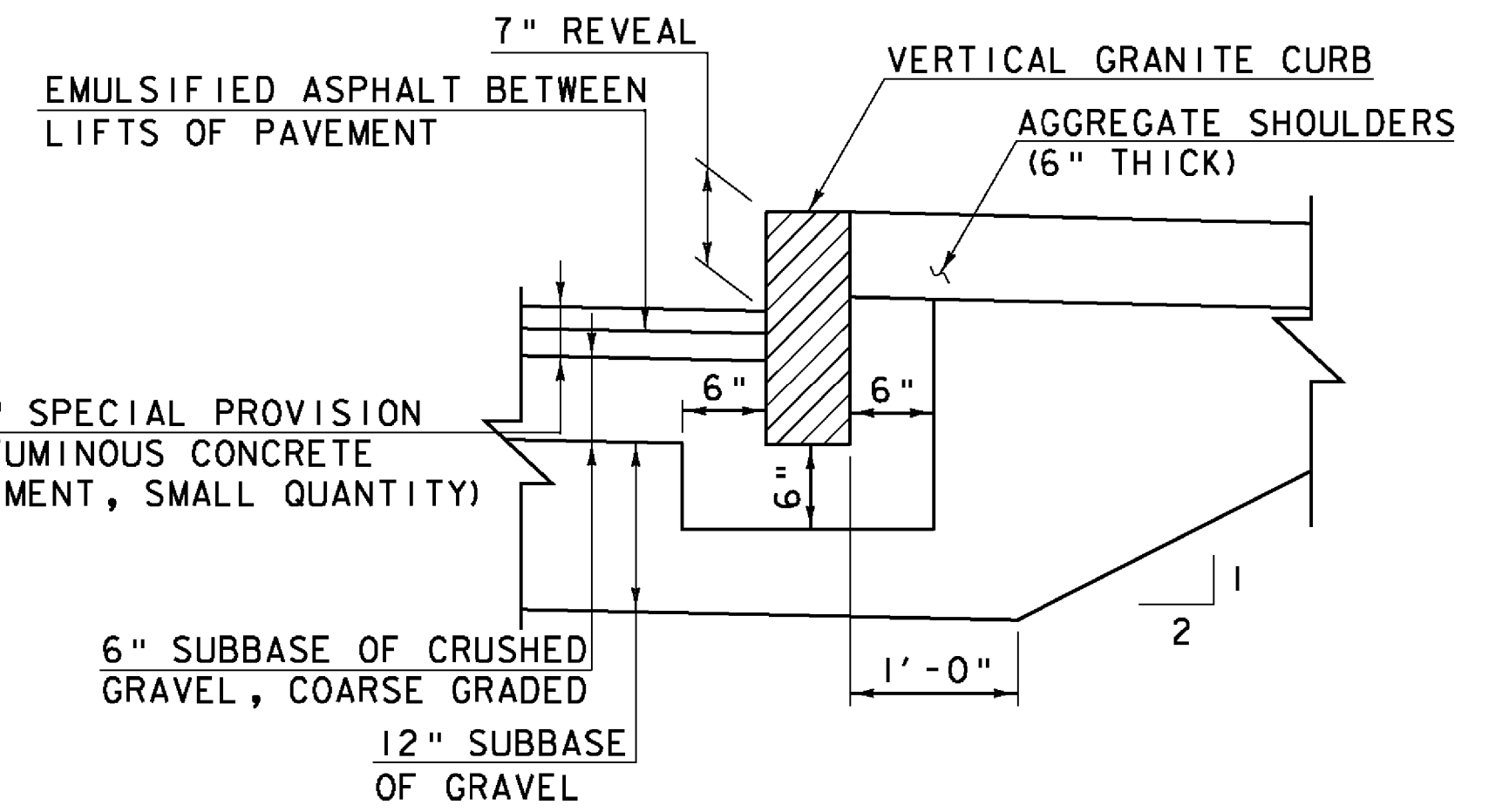
SUBBASE TRANSITION DETAIL

NOT TO SCALE



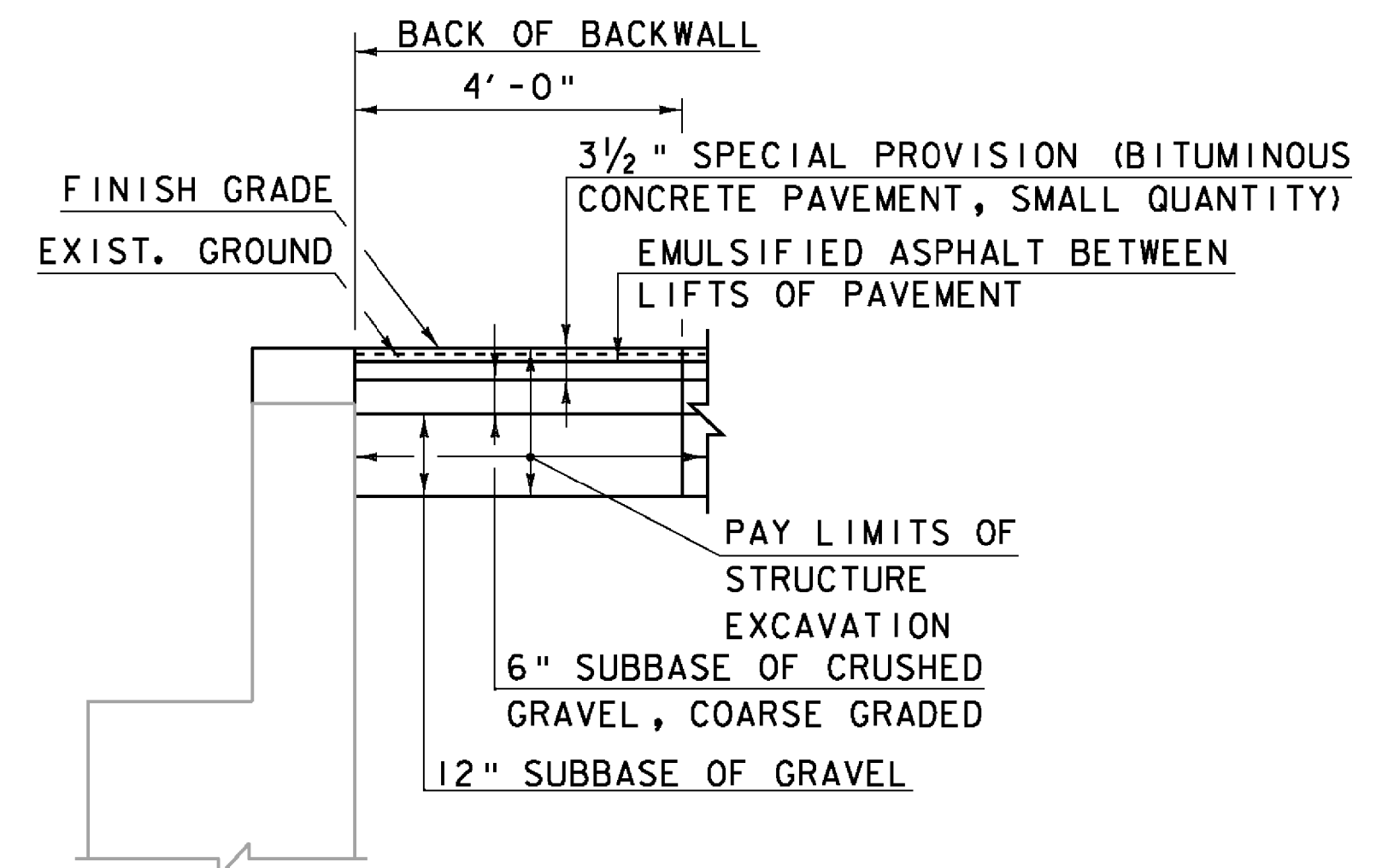
UNDERDRAIN DETAIL AT SW QUADRANT OF PROJECT

SCALE: 1/2" = 1'-0"



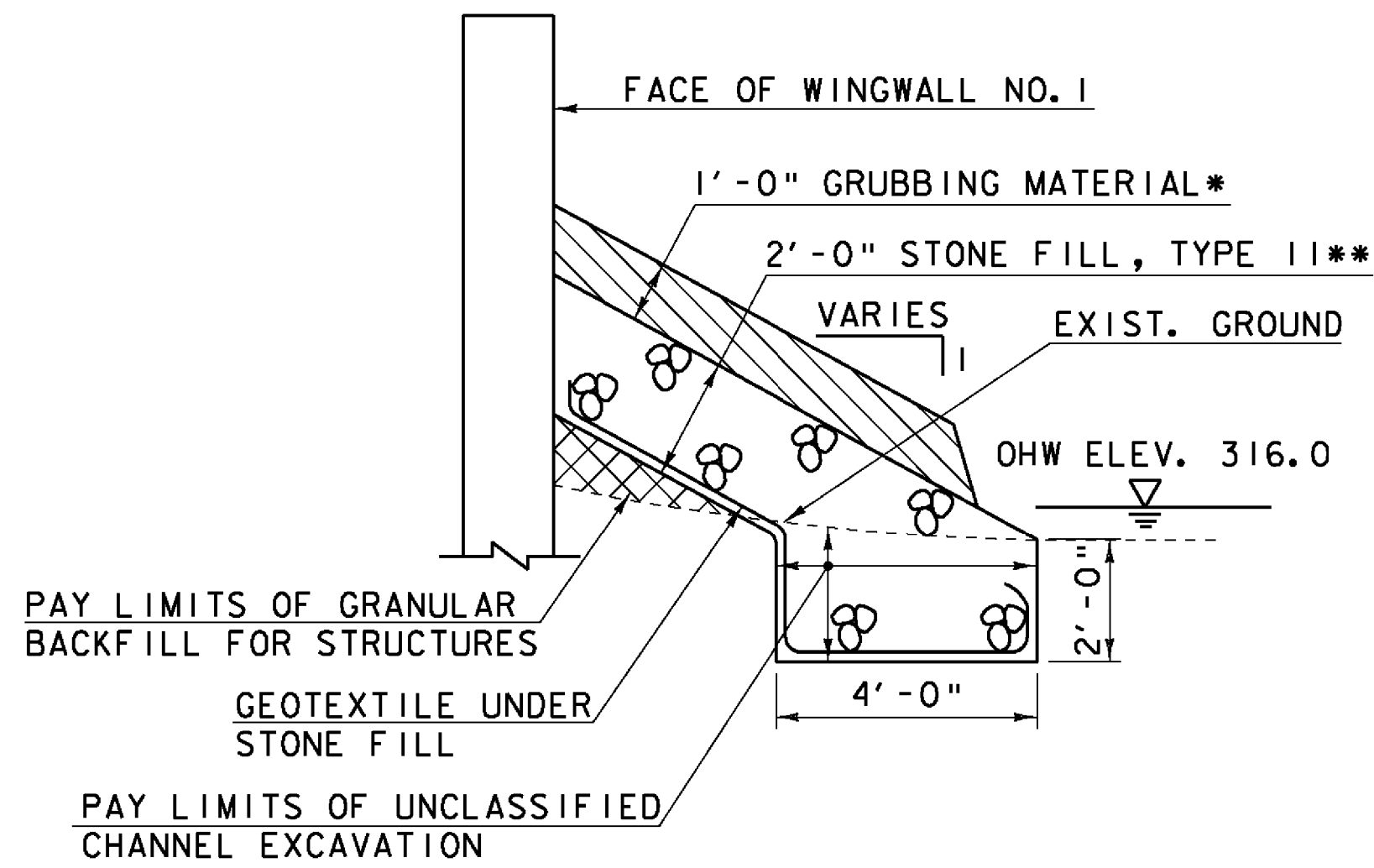
CURB DETAIL

SCALE: 1" = 1'-0"



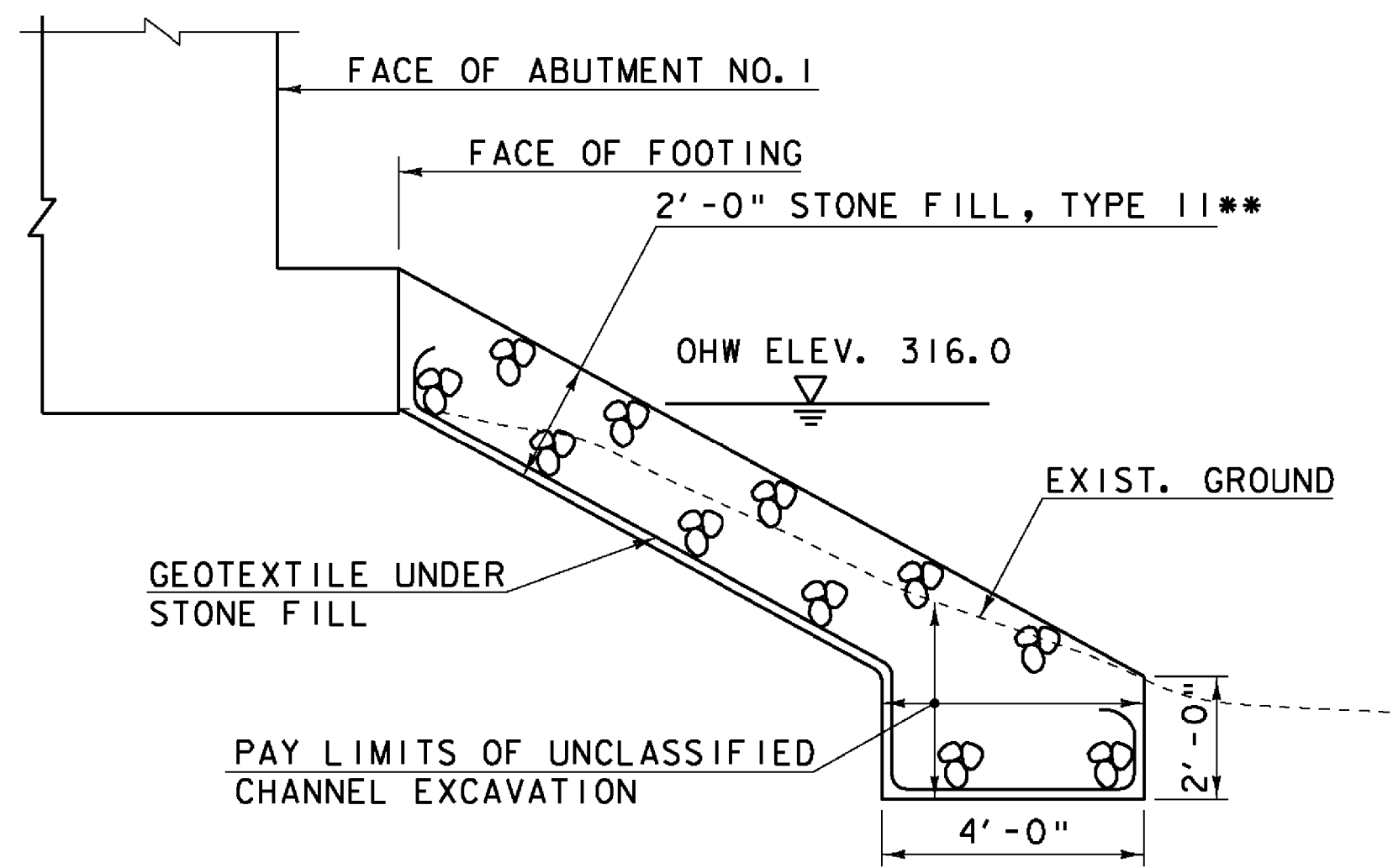
ABUTMENT EARTHWORK TYPICAL SECTION

SCALE: 1/2" = 1'-0"



TYPICAL SECTION OF STONE FILL WINGWALL NO. 1

(TAKEN TRANSVERSE TO MAINLINE)
SCALE: 3/8" = 1'-0"

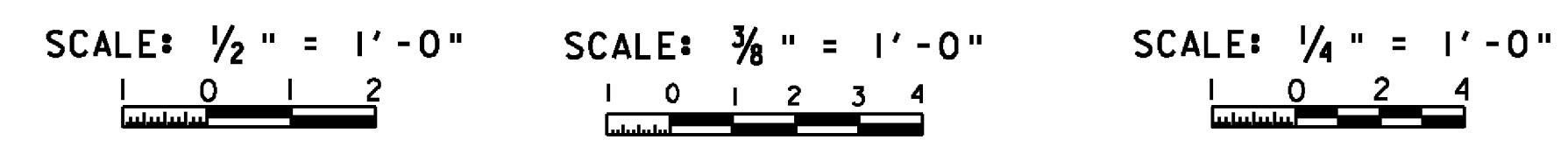


TYPICAL SECTION OF STONE FILL ABUTMENT NO. 2

SCALE: 3/8" = 1'-0"

SHEET NOTES:

- REMOVAL OF EXISTING PAVEMENT WITHIN THE LIMITS OF WORK SHALL BE PAID FOR UNDER ITEM 203.15, COMMON EXCAVATION.
- ITEM 605.10, 6 INCH UNDERDRAIN PIPE INCLUDES THE GEOTEXTILE FOR UNDERDRAIN TRENCH LINING, DRAINAGE AGGREGATE, 6" PERFORATED PVC PIPE, NECESSARY BACKFILL MATERIAL AND CORING EXISTING CONCRETE BACKWALL AT PEDESTRIAN BRIDGE COMPLETE IN PLACE.
- ITEM 204.20, TRENCH EXCAVATION OF EARTH SHALL INCLUDE EXCAVATION FOR THE CONSTRUCTION OF NEW DRAINAGE PIPES, MANHOLE, CATCH BASIN AND UNDERDRAIN AS SHOWN ON SHEET 13 AND EXCAVATION FOR THE REMOVAL OF EXISTING UNDERDRAIN ON THE SOUTHWEST QUADRANT OF THE PROJECT.



9 6 3 0

Hoyle, Tanner & Associates, Inc.

HTA PROJECT NO. 904217 MODEL typ sec

PROJECT NAME: MIDDLEBURY-WEYBRIDGE

PROJECT NUMBER: BHO 1445(33)

FILE NAME: z06j086typ.dgn

PROJECT LEADER: M.D.SARGENT

DESIGNED BY: J.BICJA

EARTHWORK TYPICALS

PLOT DATE: 9/20/2011

DRAWN BY: J.B.McQUAID

CHECKED BY: S.T.JAMES

SHEET 7 OF 66