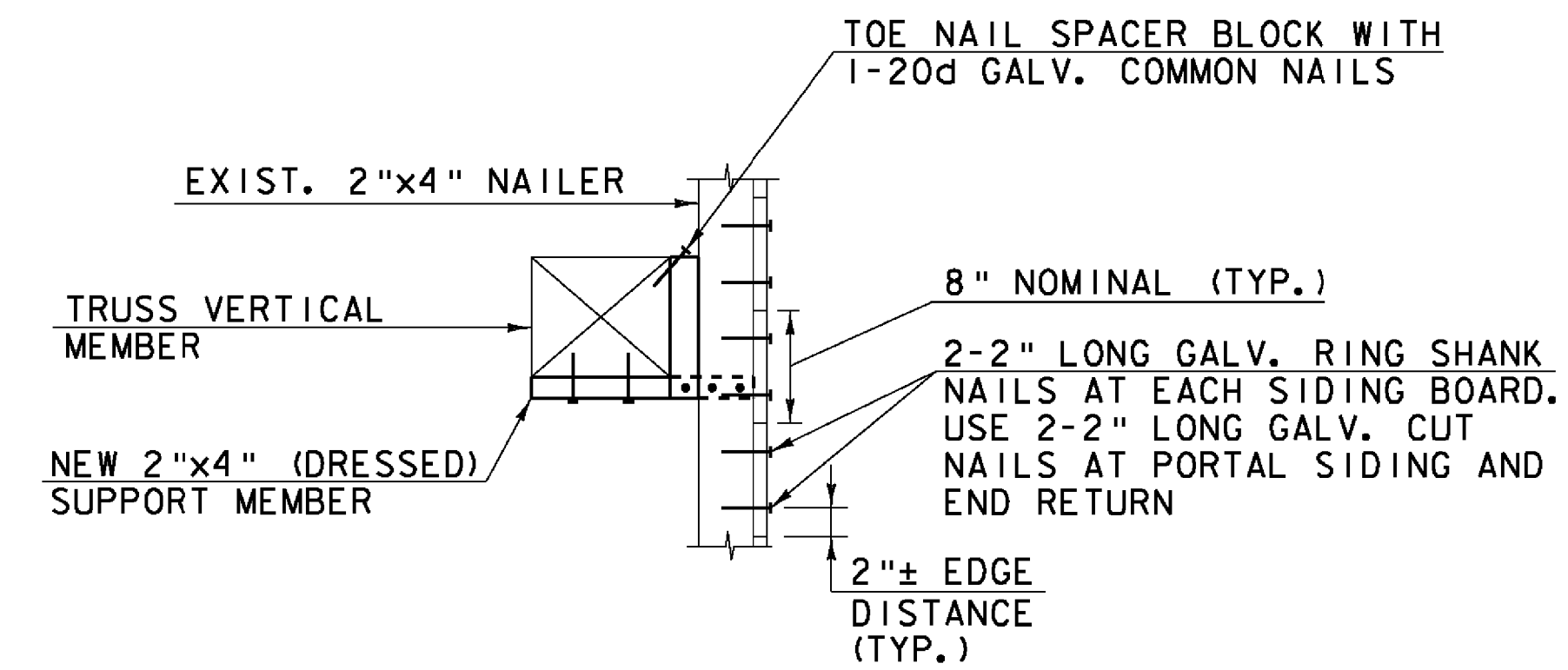
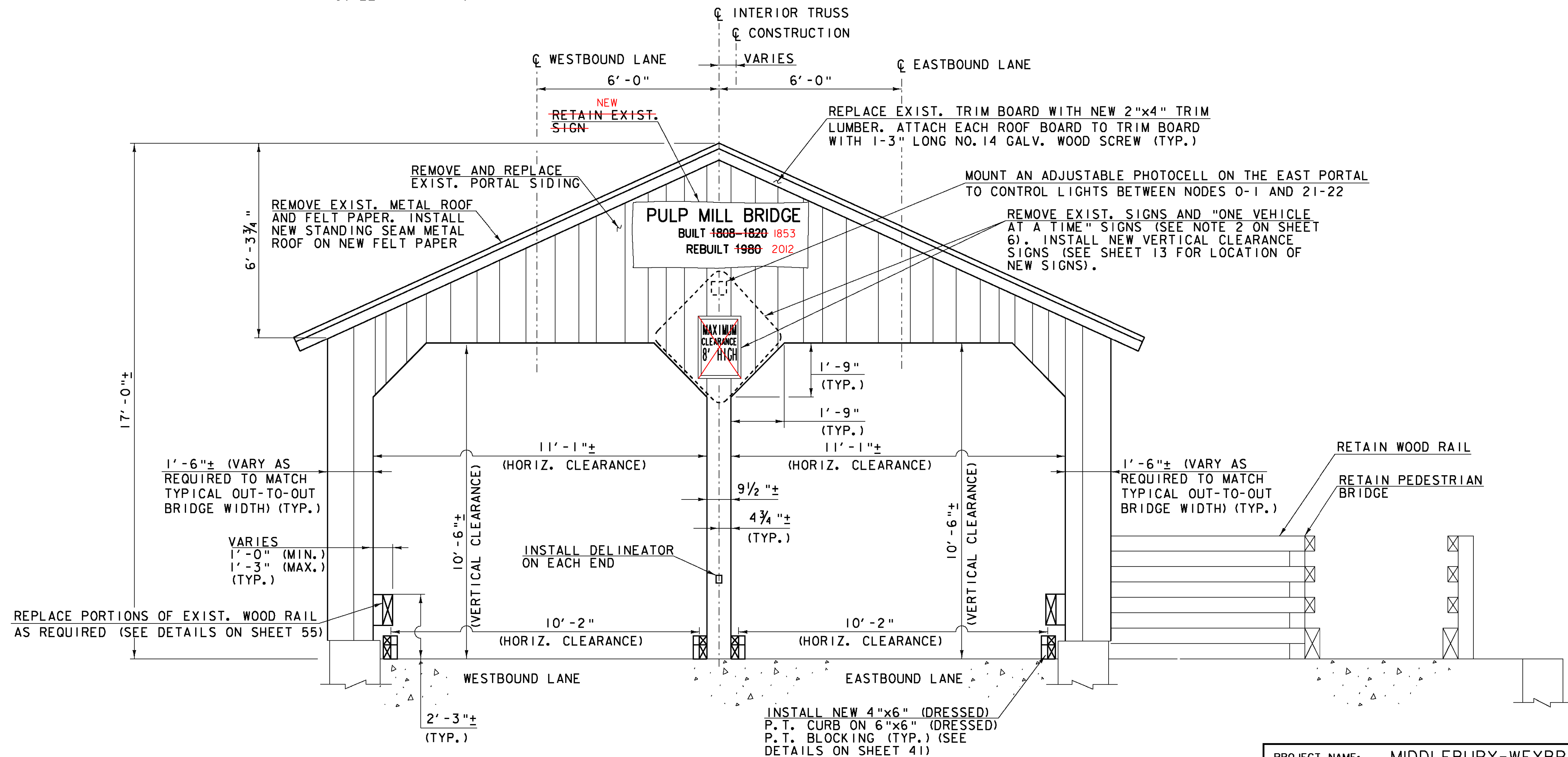


SIDING NAILER DETAIL
(ELEVATION VIEW)
SCALE: 1" = 1'-0"

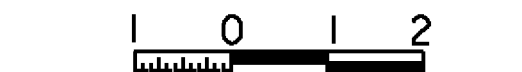


SECTION A-A
SCALE: 1" = 1'-0"



PROPOSED PORTAL SECTION
(LOOKING EAST)
(WEST PORTAL SHOWN, EAST SIMILAR)
SCALE: 1/2" = 1'-0"

SCALE: 1/2" = 1'-0"



SCALE: 1" = 1'-0"



Hoyle, Tanner & Associates, Inc.

HTA PROJECT NO. 904217 MODEL Bridge Typ Sec

PROJECT NAME: MIDDLEBURY-WEYBRIDGE

PROJECT NUMBER: BHO 1445(33)

FILE NAME: z06J086sup8.dgn
PROJECT LEADER: M.D.SARGENT
DESIGNED BY: J.BICJA

PROPOSED TYPICAL PORTAL SECTION

PLOT DATE: 9/20/2011
DRAWN BY: J.B.McQUAID
CHECKED BY: S.T.JAMES

SHEET 4 OF 66