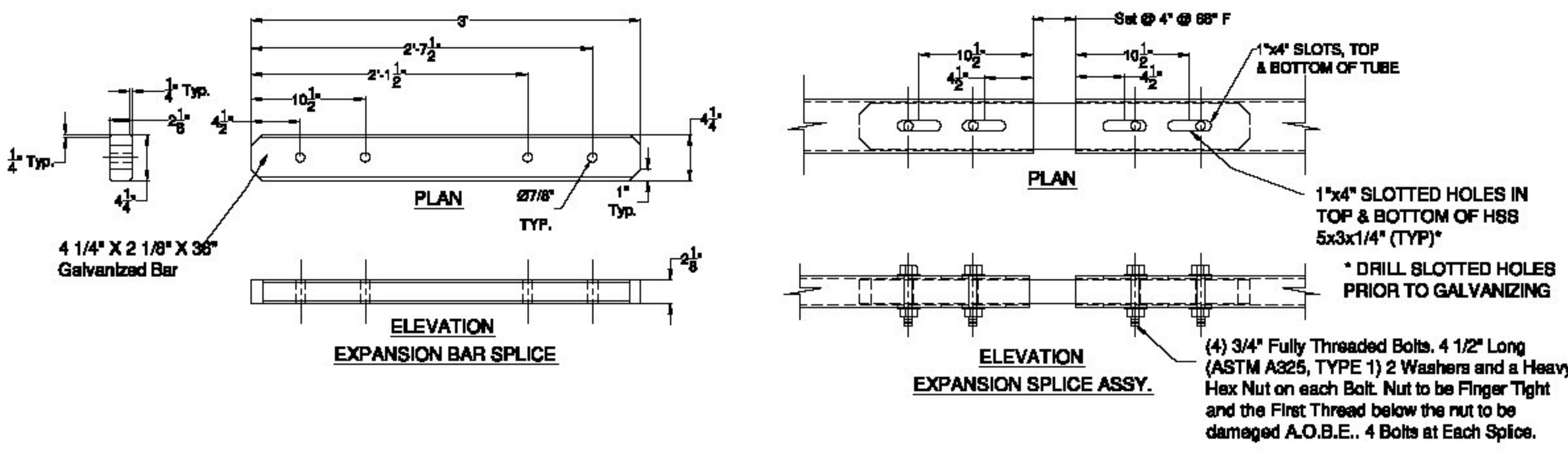
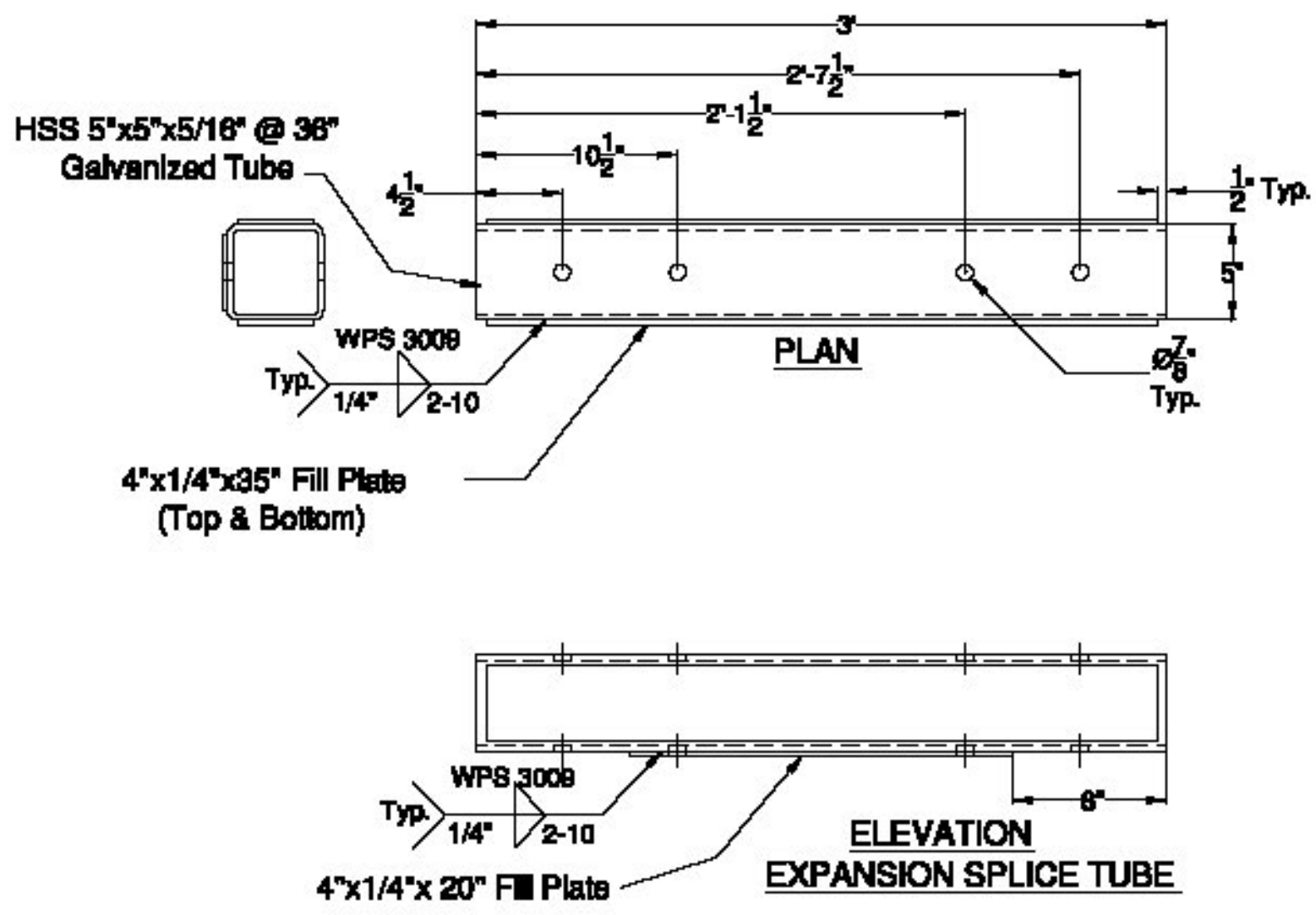


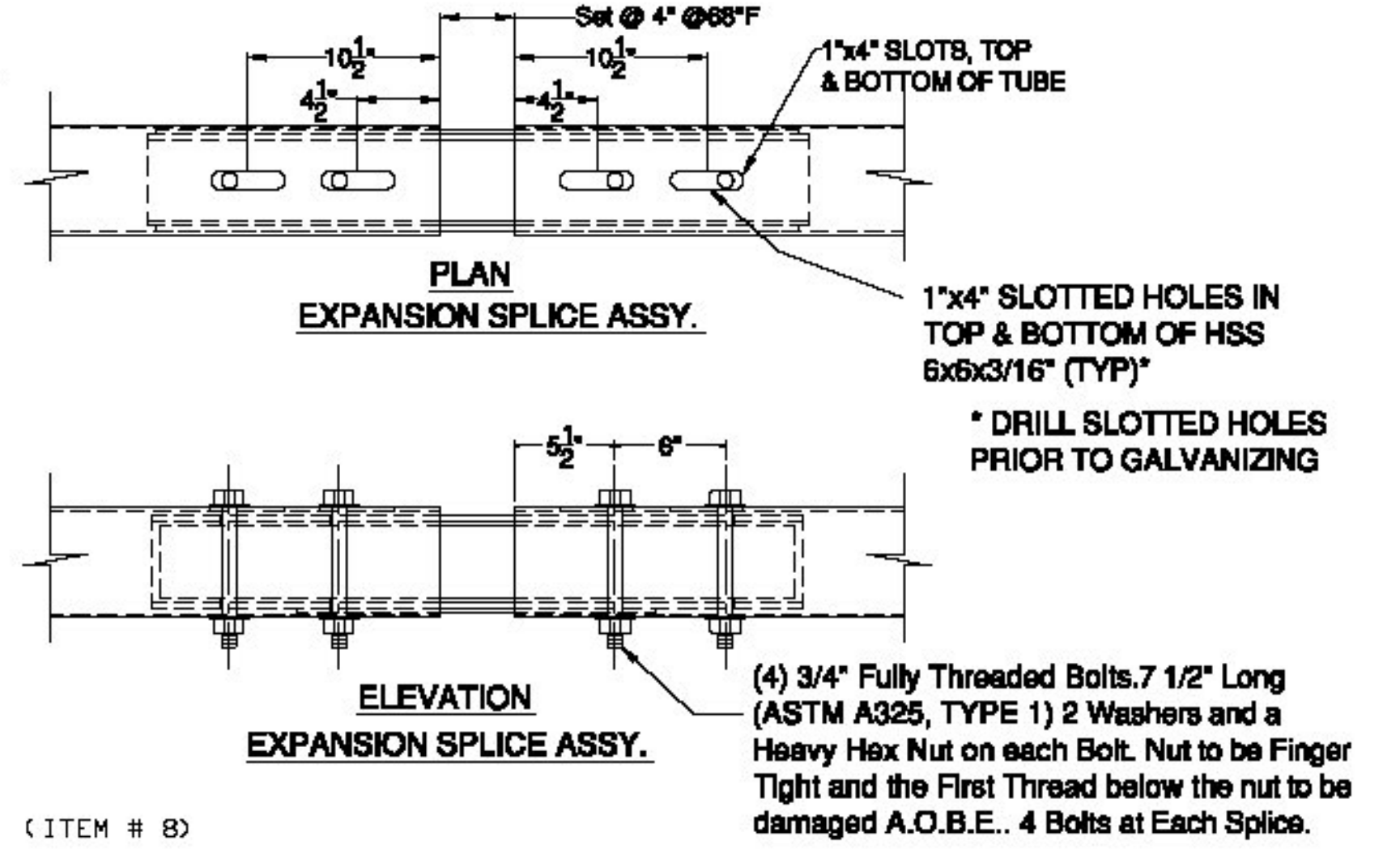
SPLICE BAR - EXPANSION



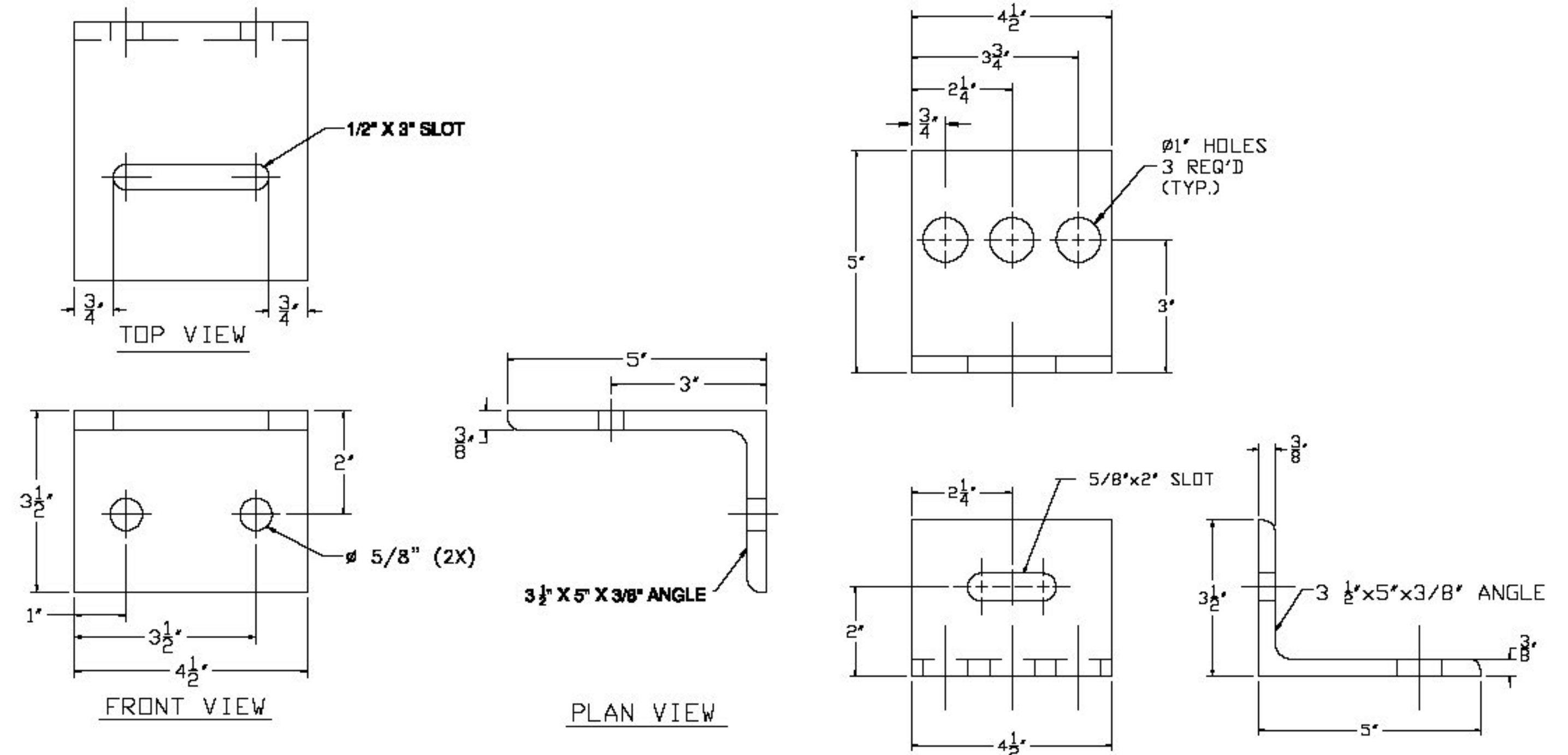
(ITEM # 9)



SPLICE TUBE - EXPANSION

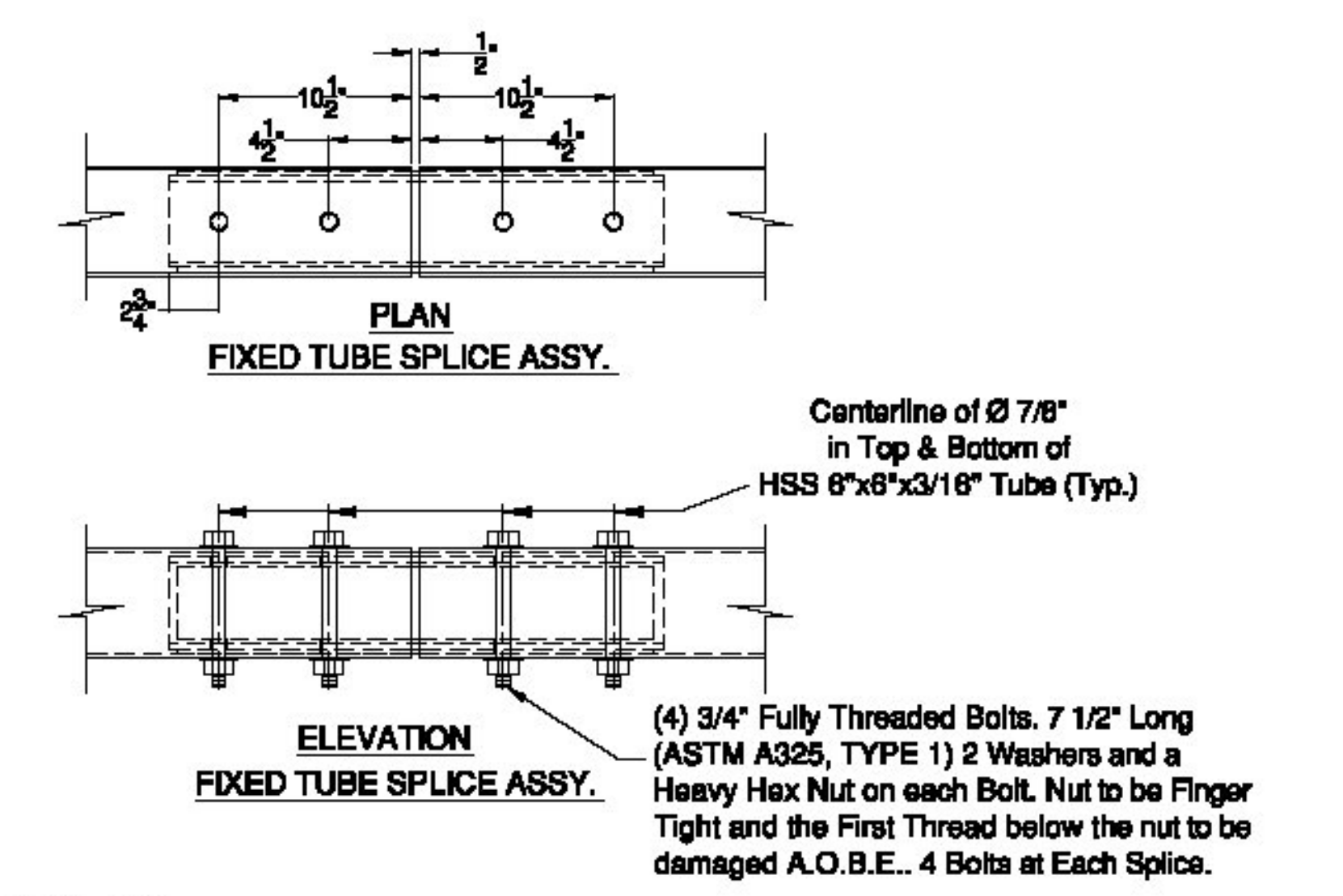
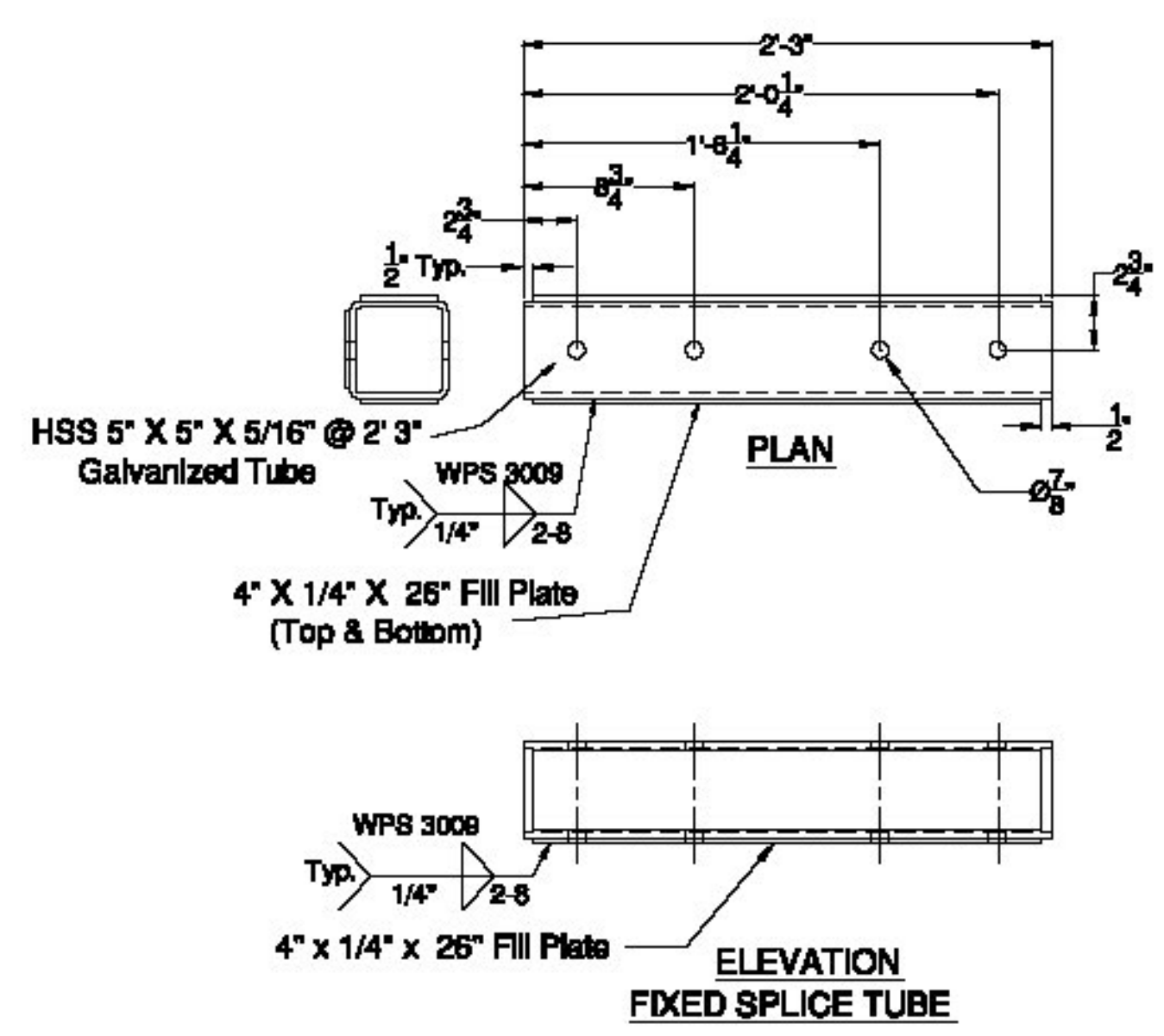


(ITEM # 8)



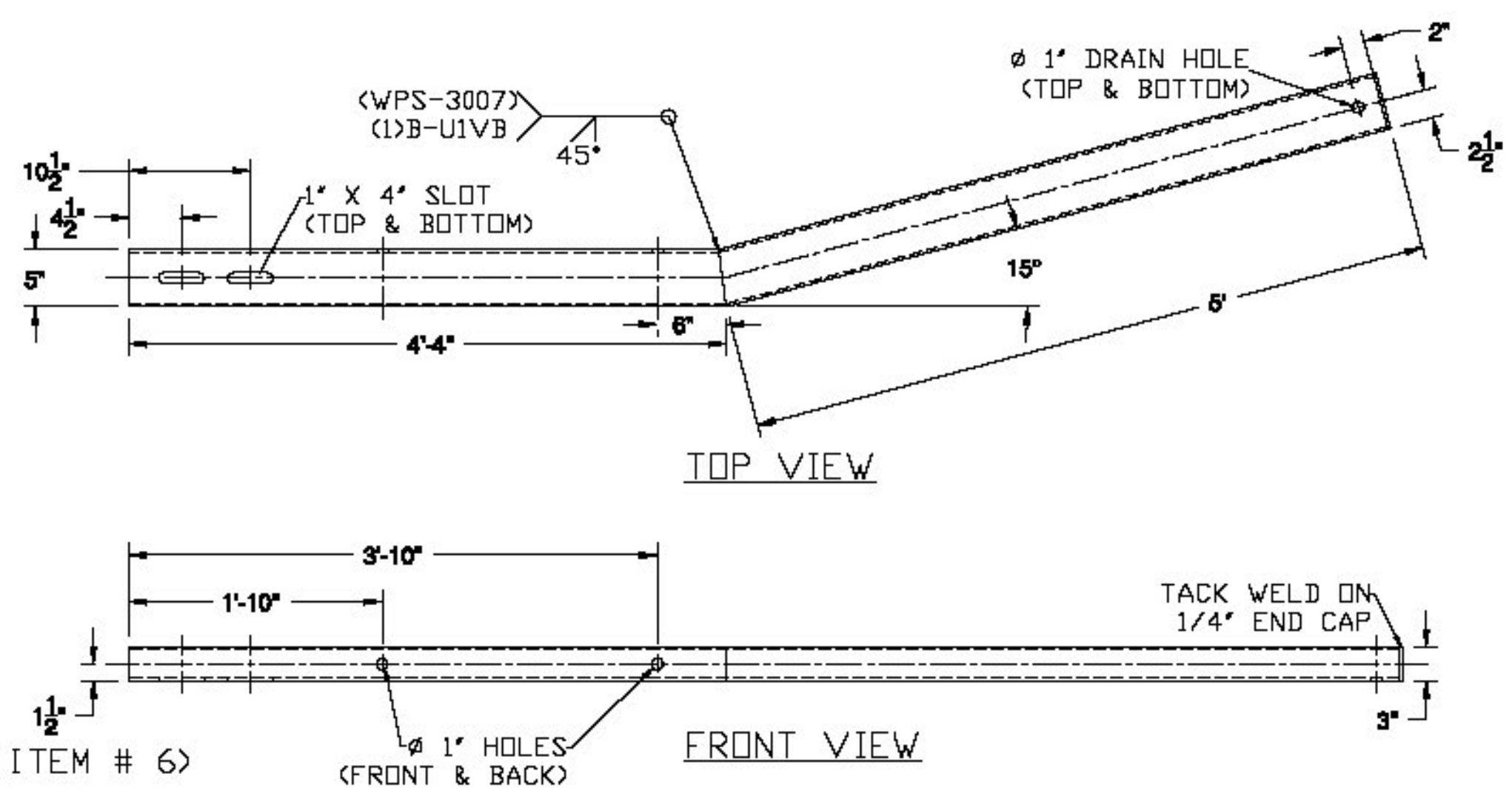
(ITEM # 10)

(ITEM # 11)

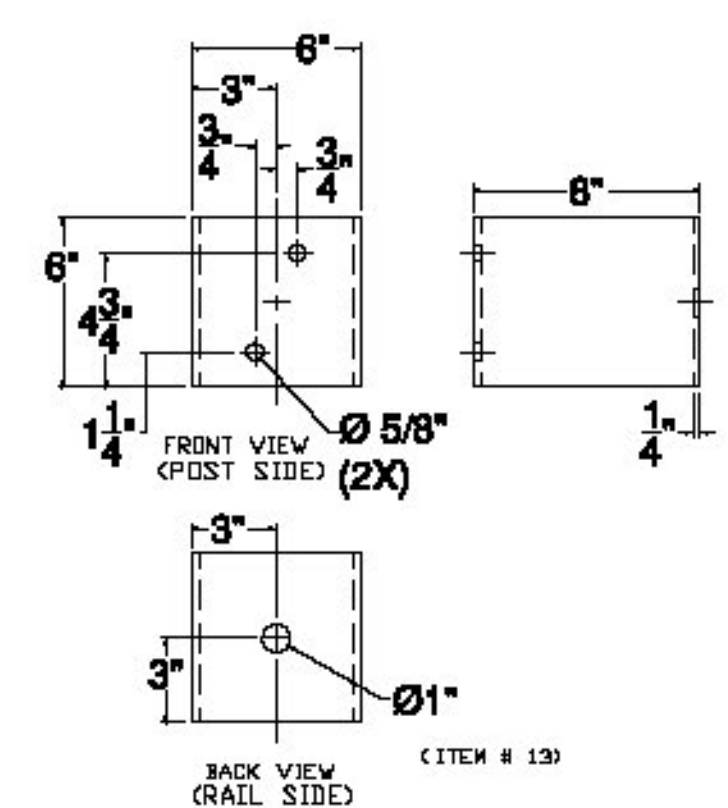


(ITEM # 7)

SPLICE TUBE - FIXED

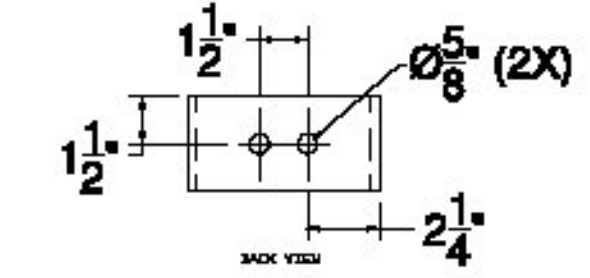


(ITEM # 6)



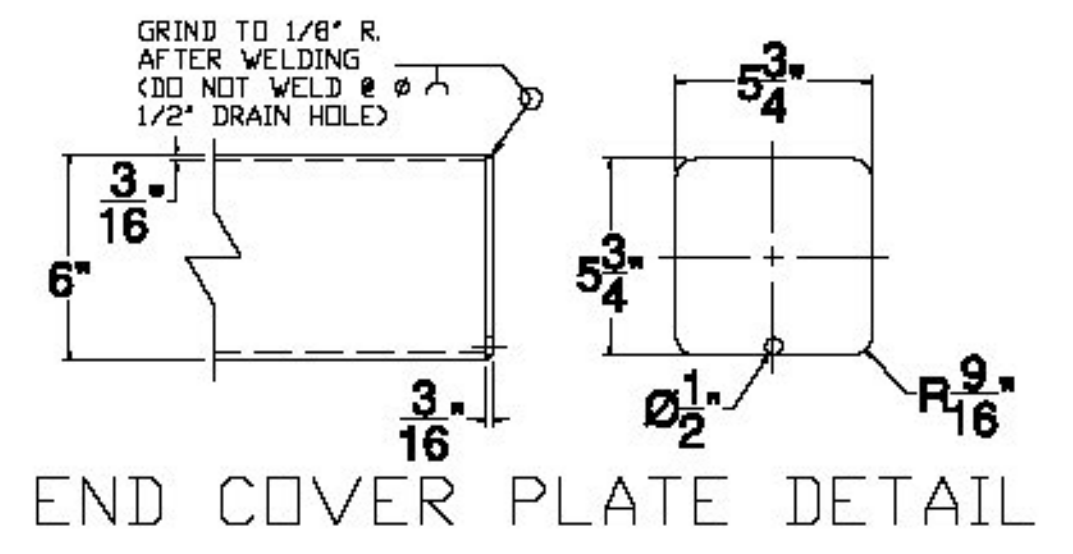
(ITEM # 12)

(ITEM # 13)



(ITEM # 14)

Vermont Agency of Transportation
RECEIVED
 CK'D BY J. Griffin OK'D BY J. Lacroix
 December 19, 2013
 RESUBMIT NO Approved
 BY J. Lacroix DATE 1/7/2014



ITEM #: 525.335

F.R. LAFAYETTE, BRISTOL

SHEET 4 OF 4

APPROVED BY:

GUARD RAIL TO BRIDGE RAIL TRANSITION DETAILS SHEET
 BRISTOL, BRO 1445 (32), SOUTH STREET, BRIDGE #31
 TOWN OF BRISTOL, ADDISON COUNTY, VERMONT

R NO.	DATE	DESCRIPTION	BY	R NO.	DATE	DESCRIPTION	BY
E							
V							

DRAWN	E.P.	11/13/18
CHECKED	D.L.	11/20/18
APPROVED		
SCALE	SCHEMATIC	
DRAWING NO. F.R. LAFAYETTE, BRISTOL		

ELDERLEE, INC.
 OAKS CORNERS, NEW YORK 14518
 E-Mail: diong@elderlee.com
 Tel: 315-789-6670 Fax: 315-789-6615