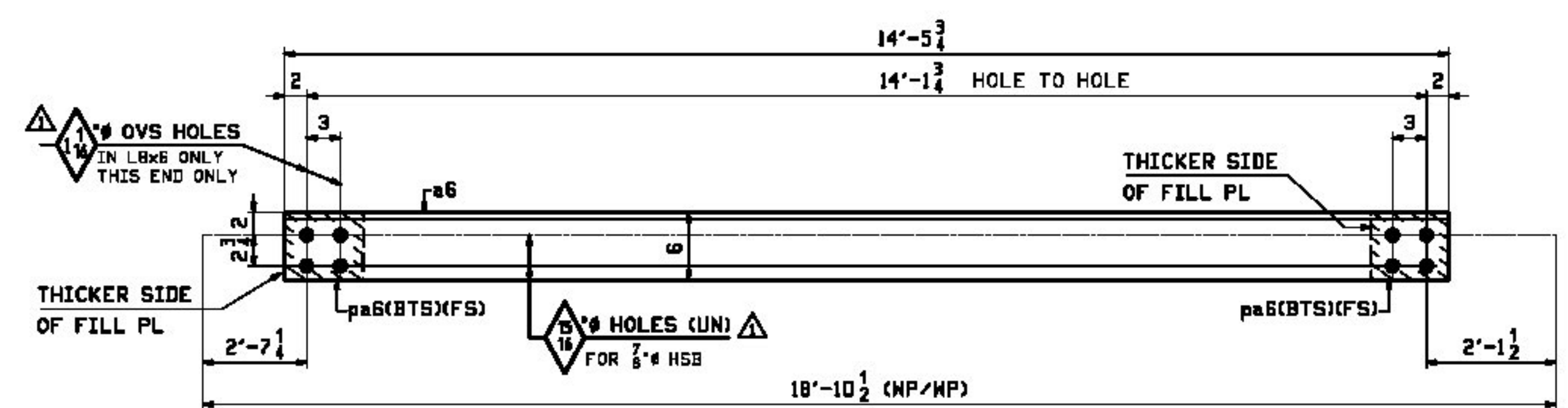
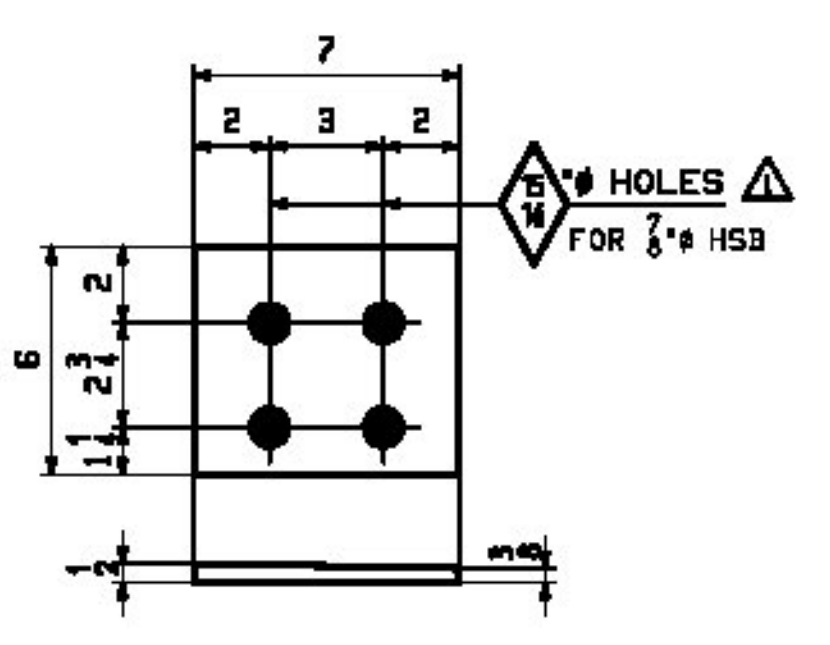


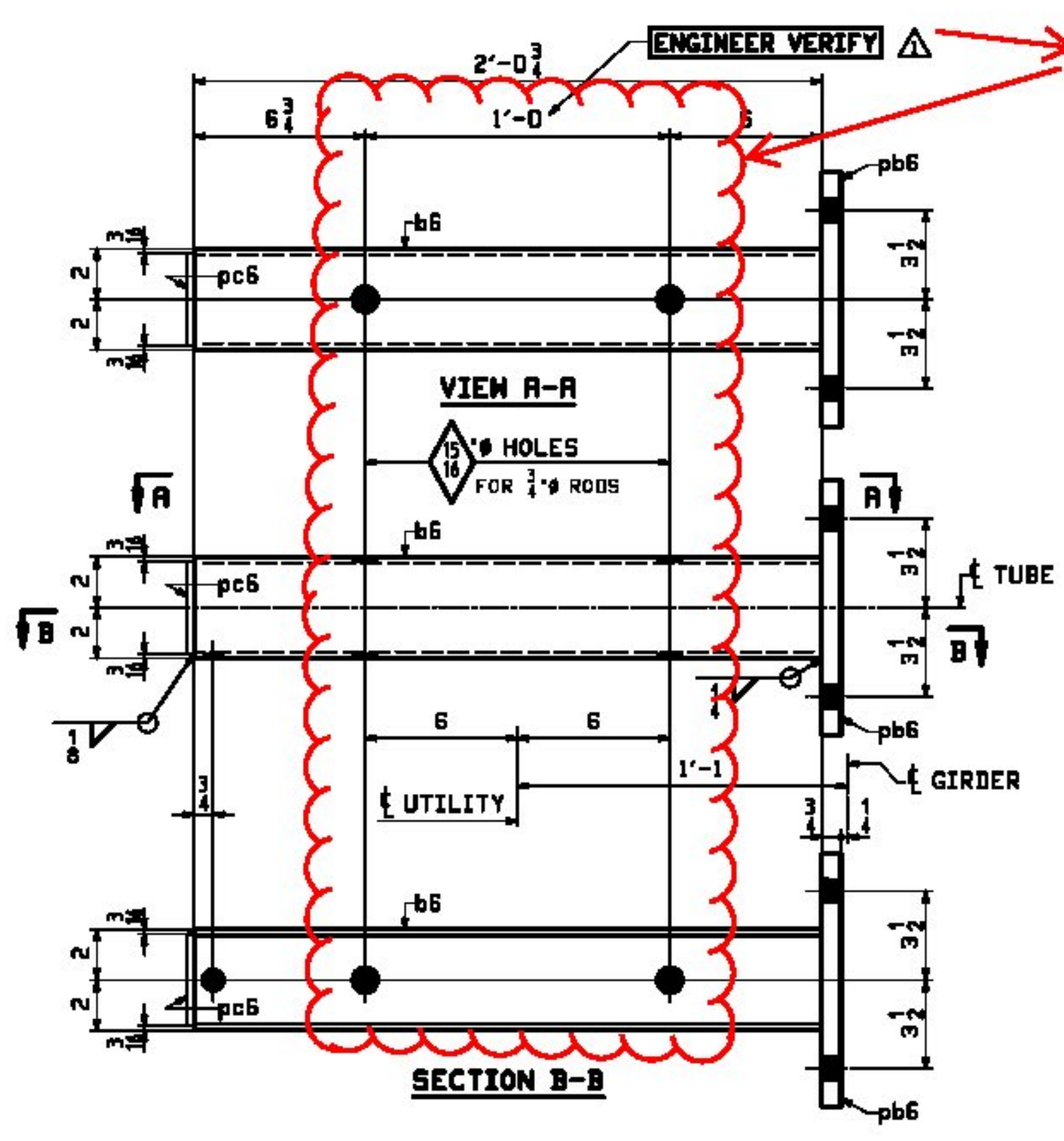
ONE ~ LATERAL BRACING - BLB1



ONE ~ LATERAL BRACING - BLB2

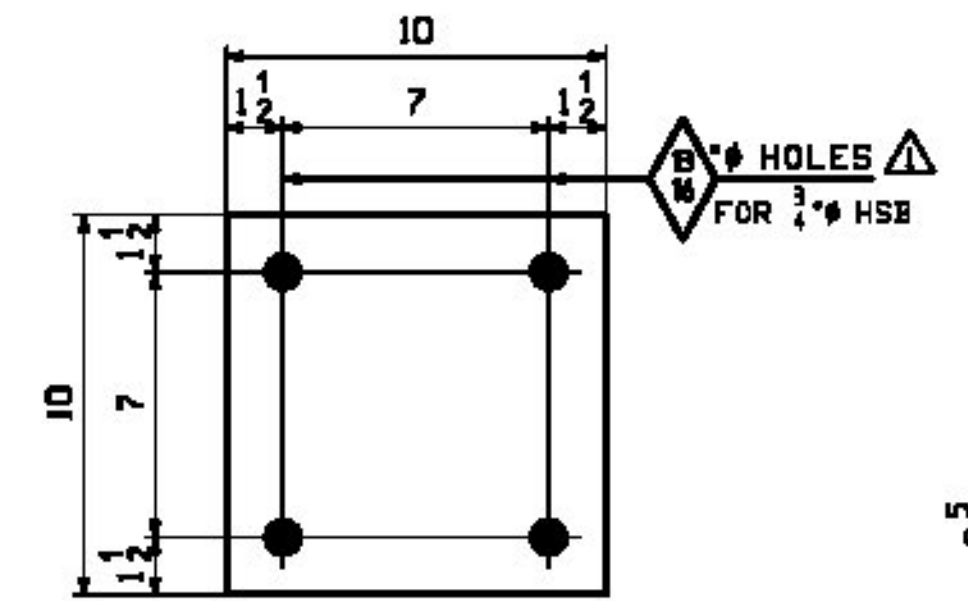


DETAIL - pa6
4 REQ'D

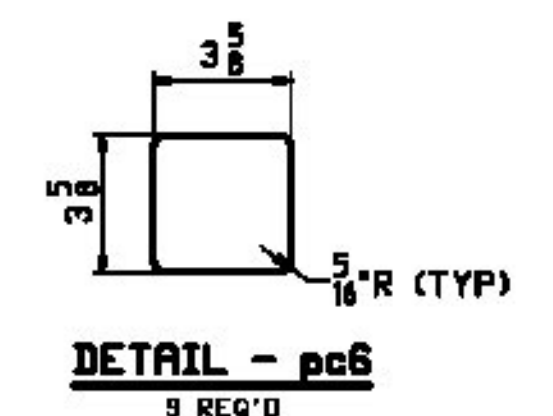


9 ~ UTILITY SUPPORTS - 6M1
HOT-DIP GALVANIZE AFTER FABRICATION

ENGINEER VERIFY Δ
 ROD SPACING DOES NOT MATCH PLANS SEE COMMENTS ON PIPE HANGER SUBMITTAL (CONTRACTOR TO COORDINATE PIPE HANGER REQUIREMENTS TO FABRICATOR)



DETAIL - pb6
9 REQ'D



DETAIL - pc6
9 REQ'D

JOB NO.		DRAWING NO.		REV.				
534		6		Δ				
PKG	LINE	MARK	QTY	MARK	DESCRIPTION	REMARKS	MT	PROCUREMENT NOTES
		BLB1	1		LATERAL BRACING		636	
3	K		1	c6	L 8x8x3/4		626	
3	M		2	pa6	PL 1/2x6	BEV. FILL (FIF)	6	
		BLB2	1		LATERAL BRACING		502	
3	L		1	c6	L 8x8x3/4		490	
3	H		2	pa6	PL 1/2x6	BEV. FILL (FIF)	6	
		SM1	9		UTILITY SUPPORTS	HOT-DIP GALV AFTER FAB	47	
3	Q		9	b6	HSS 4x4x1/4	9900-9	25	
3	R		9	pb6	PL 3/4x10	4270-9	21	
3	S		9	pc6	PL 1/2x3 5/8	4270-9	59	

Approved Revise and Resubmit
 Approved as Noted Rejected
(Available for use only) (See accompanying notes)

Hoyle Tanner
 ASSOCIATES, INC.
 Project No. 950226

Approved only for general reference with no design, except to the Project and the information given to the Contract Documents. Contractor is responsible for verification to be confirmed and correct at the job site. Information that pertains solely to the fabrication process or to the nature and methods of constructive consideration of the work of an existing and performing work in a site and satisfactory manner. This approval does not modify Contractor's duty of compliance with Contract.

Reviewed By: AAS Date: 11/1/13
 Approved By: JAO Date: 11/1/13

REV.	DATE	REMARKS	JTB	DBH	APVL	SHOP
Δ	10/17	REVISE LATERAL BRACE SIZE & MISC. APPROVAL COMMENTS	JTB	DBH		
0						
MATERIAL:		SURFACE PREP. & PAINT:	HOLES:	JMN	CHK	APVL
M270-50W (UN)		SEE DWG G01	AS NOTED			SHOP BOLTS:
						NONE
DESCRIPTION: LATERAL BRACING & UTILITY SUPPORT						
CASCO BAY STEEL STRUCTURES, INC.						
1 WALLACE AVE.				PHONE (207) 780-6722		
SOUTH PORTLAND, ME 04106				FAX (207) 780-6726		
STRUCTURE: BRISTOL - BRIDGE NO. 31				DRWN:	JTB	DATE: 08/14
VT ROUTE NO. TH 5 (SOUTH STREET)				CHKD:	DBH	DATE: 09/07
OVER NEW HAVEN RIVER						
LOCATION: TOWN OF BRISTOL, VT (ADDISON COUNTY)		JOB NO.		DWG NO.		
PROJ NO. BRO 1445 (32)		534		6		
CUSTOMER: BLOM AND COTE				REV. Δ		

NOTES:
 1. FOR GENERAL NOTES SEE DRAWING G01.
 2. BTS - DENOTES BOLT TO SHIP.