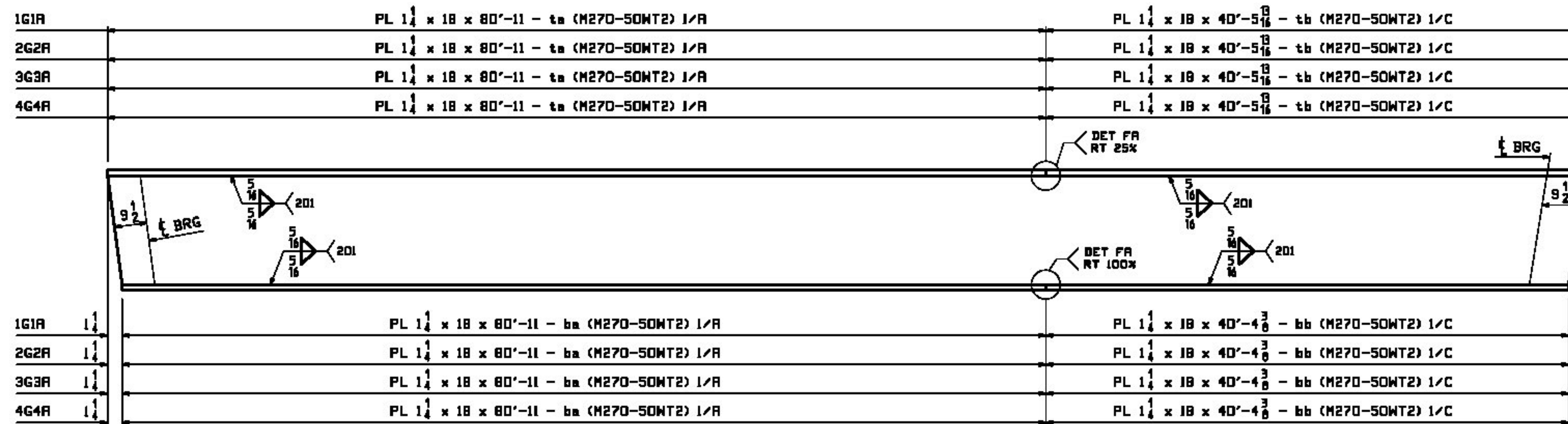
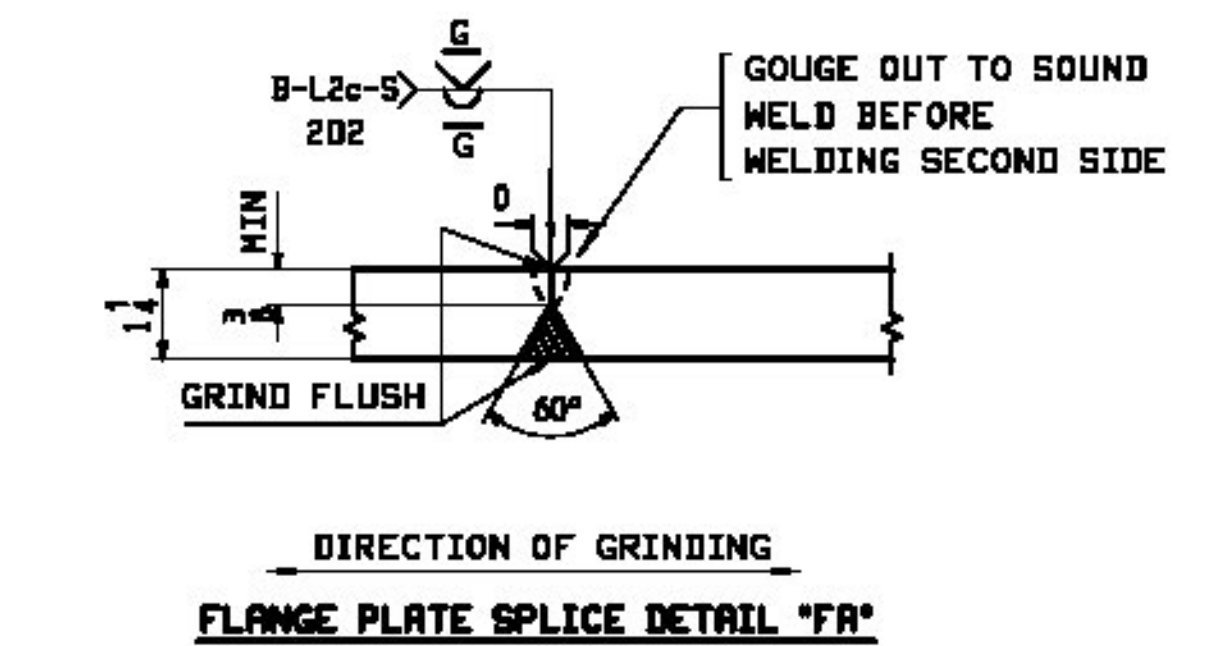
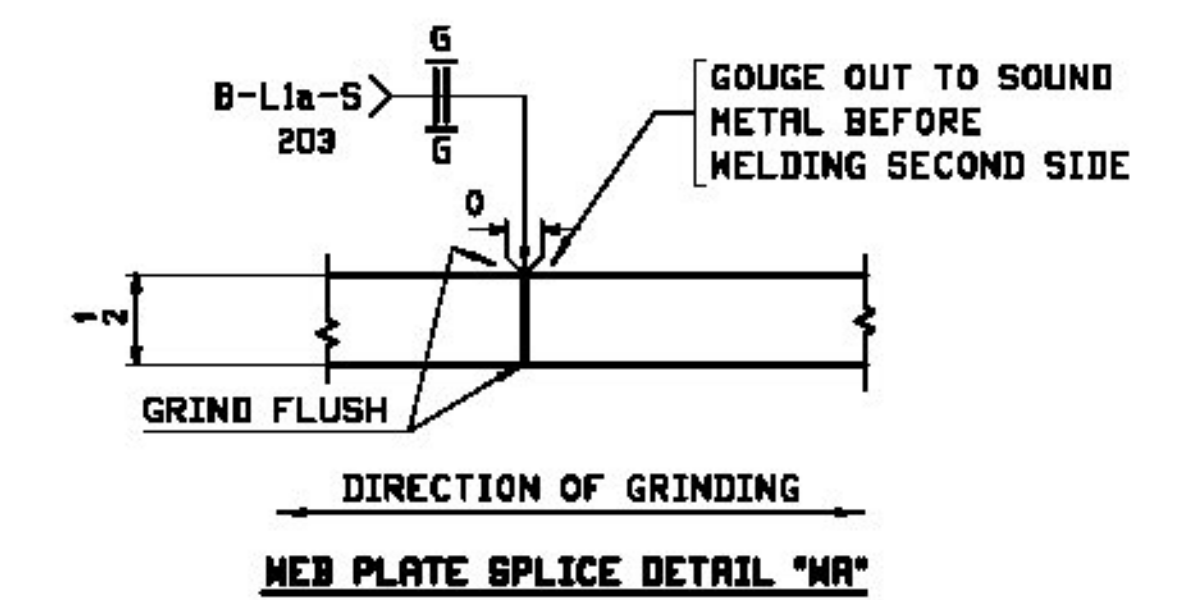


CAMBER DIAGRAM FOR 1G1A, 2G2A, 3G3A & 4G4A
4 REQ'D



FLANGE DIAGRAM FOR 1G1A, 2G2A, 3G3A & 4G4A



- NOTES:**
- FOR GENERAL NOTES SEE DRAWING GNI.
 - *T2* DENOTES MATERIAL SUBJECT TO CHARPY V-NOTCH TEST AT H FREQ. FOR ZONE 2

Approved Revise and Resubmit
 Approved as Noted Rejected
(Standard for Revise) (See Revisions for Details)

Hoyle Tanner
 Associates, Inc. Project No. 00-126

Approval is only for general conformance with the design concept to the Plans and the information shown in the Contract Documents. Contractor is responsible for dimensions to be confirmed and correct at the job site; information that permits safety to the fabrication process or to the means and methods of construction; consideration of the work of all trades and performing all work in a safe and satisfactory manner. This approval does not modify Contractor's duty of compliance with Contract.

Rev. made by: JAS Date: 11/21/15
 Approved by: JAC Date: 11/21/15

REV.	DATE	REMARKS	DWN	CHK	APVL	SHOP
0						
MATERIAL:		SURFACE PREP. & PAINT:		HOLES:		SHOP BOLTS:
M270M-50WT2		SEE DWG GNI				
DESCRIPTION: CAMBER & FLANGE DIAGRAM						
CASCO BAY STEEL STRUCTURES, INC.						
1 WALLACE AVE.			PHONE (207) 780-6722			
SOUTH PORTLAND, ME 04106			FAX (207) 780-6726			
STRUCTURE: BRISTOL - BRIDGE NO. 31				DRWN:	DATE:	
VT ROUTE NO. TH 5 (SOUTH STREET)				JTB	08/09	
OVER NEW HAVEN RIVER				CHKD:	DATE:	
				DBH	09/07	
LOCATION: TOWN OF BRISTOL, VT (ADDISON COUNTY)			JOB NO.	DWG NO.		
PROJ NO. BRO 1445 (32)			534	C1		
CUSTOMER: BLOM AND COTE				REV. <input type="checkbox"/>		