

RECEIVED

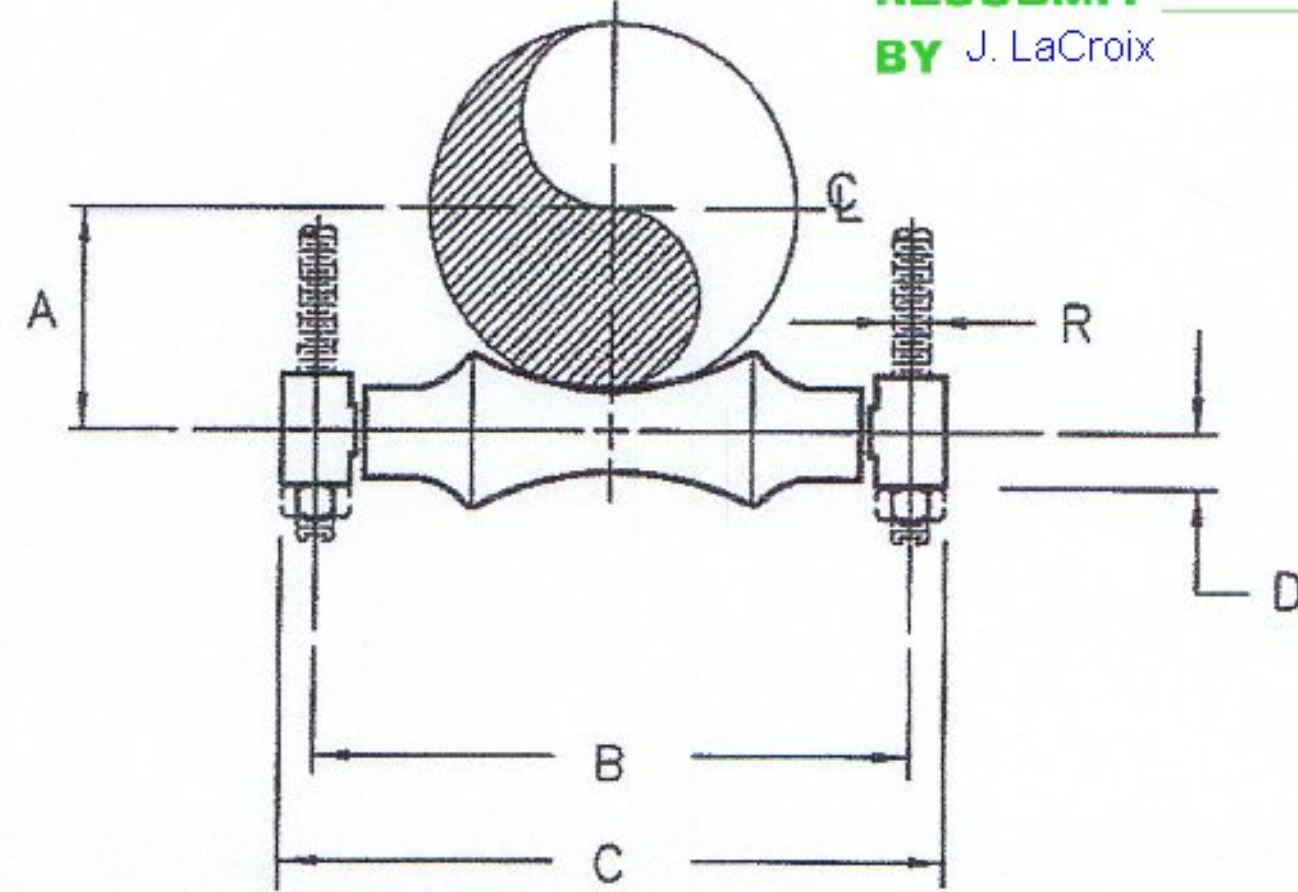
CK'D BY J. LaCroix

OK'D BY

November 11, 2013

RESUBMIT No
BY J. LaCroix

Approved
DATE 11/15/2013



PIPE SIZE	A	B	C	D	R	MAX LOAD	UNIT WGT
1	1	3	4 1/8	5/8	3/8	600	0.45
1 1/4	1 1/4	3 3/8	4 1/2	5/8	3/8	600	0.48
1 1/2	1 3/8	3 5/8	4 3/4	5/8	3/8	600	0.51
2	1 5/8	4 1/8	5 1/4	5/8	3/8	600	0.57
2 1/2	2	5 1/2	7	7/8	1/2	660	1.50
3	2 1/4	6 1/8	7 5/8	7/8	1/2	700	1.50
3 1/2	2 1/2	6 5/8	8 1/8	7/8	1/2	750	1.70
4	2 7/8	7 1/8	8 5/8	7/8	5/8	750	1.80
5	3 1/2	8 3/8	9 7/8	7/8	5/8	750	2.40
6	4	9 5/8	11 3/8	1	3/4	1070	4.00
7	4 3/4	10 3/4	12 1/2	1	3/4	1200	6.00
8	5 1/8	12	14	1 1/8	3/4	1350	6.40
10	6 1/4	14 1/8	16	1 1/8	7/8	1730	8.50
12	7 1/2	16 1/8	18	1 1/8	7/8	2400	10.30
14	8 3/8	17 3/4	20	1 3/8	1	3130	20.90
16	9 1/2	20 1/2	22 1/8	1 3/8	1	3970	26.10
18	10 1/2	22 1/8	24 3/8	1 3/8	1	4200	36.60
20	11 5/8	24 1/8	26 5/8	1 1/2	1 1/4	4550	39.00
24	14	28 7/8	32 1/8	1 3/4	1 1/2	6160	66.90
30	17 1/2	35 1/2	39 7/8	2 1/8	1 1/2	7290	134.00

LOAD (LBS) • DIMENSIONS (INCHES) • WEIGHT (LBS)

MAXIMUM TEMPERATURE AT ROLLER 450° F

CARPENTER AND PATERSON INC
WOBURN, MA 01801 / SADDLE BROOK, NJ 07662

SUBMITTAL DRAWING

MATERIAL: CARBON STEEL
FINISH: GALVANIZED
 PAINTED
 PLAIN

DESCRIPTION: TWO ROD ROLL HANGER

REV	DATE	DRAWN	CHKD.	APPVD.	DATE	SCALE	SHEET
3	3/28/11	BM	RP	UB	12/93	N/A	1
2	7/19/07						
1							

DWG/FIGURE NO. 142

REV 3

DWG NO 142

ANNUL 171 EQUIV.

REV	DATE	DESCRIPTION
3	3/28/11	REVISED LOADS
2	7/19/07	REVISED "D" DIMENSION FOR 16" PIPE SIZE
1		