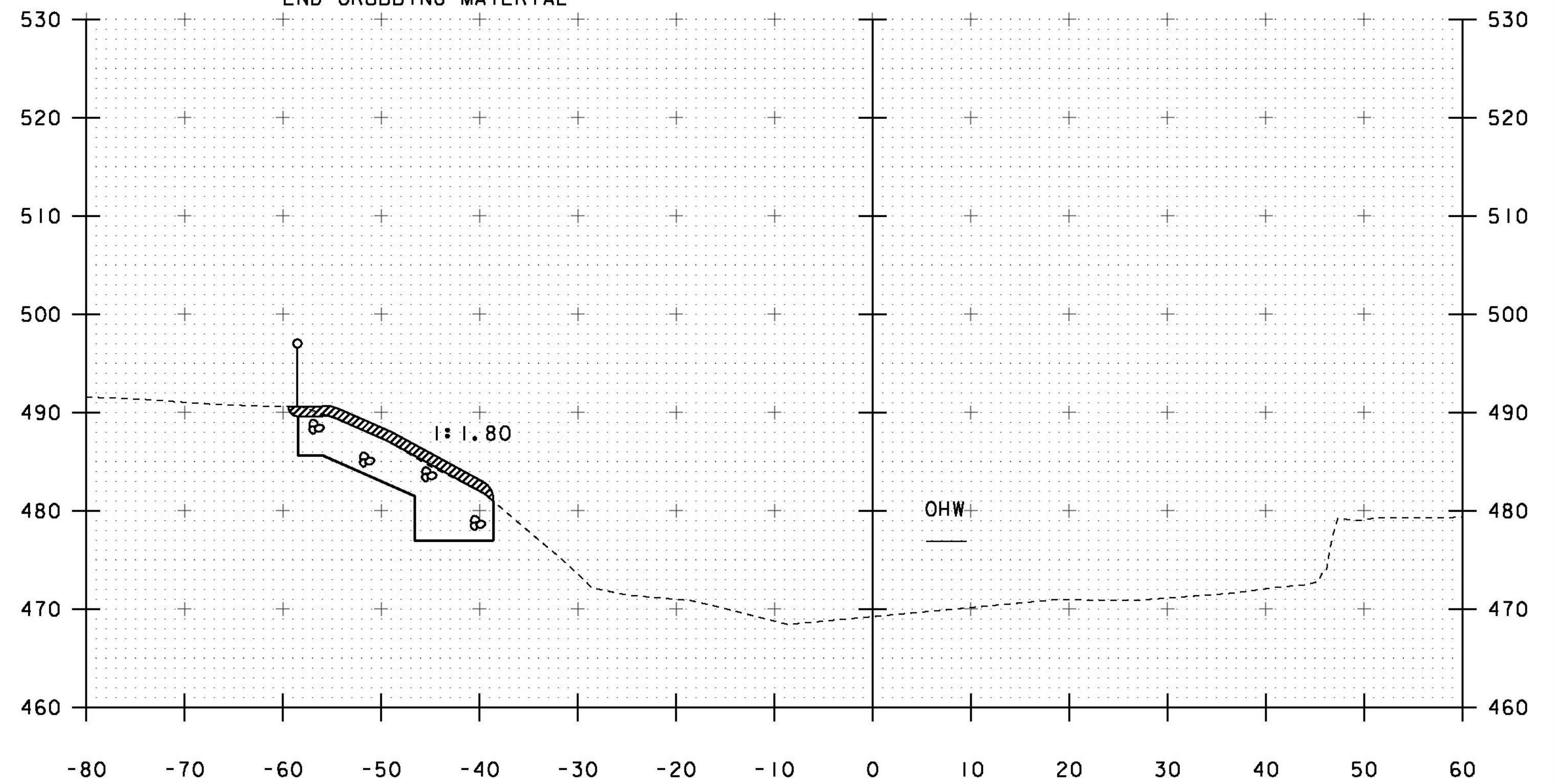
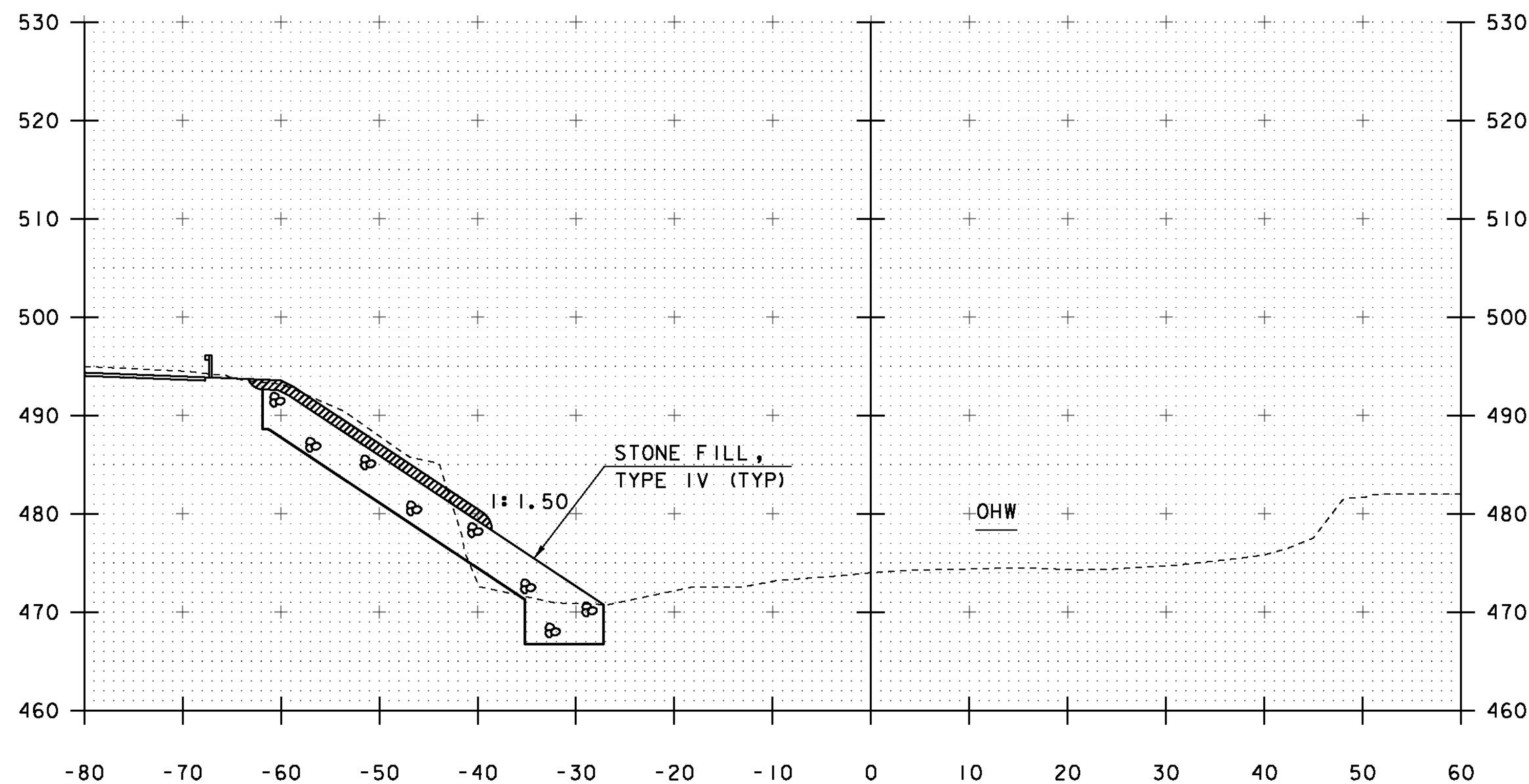


11+75

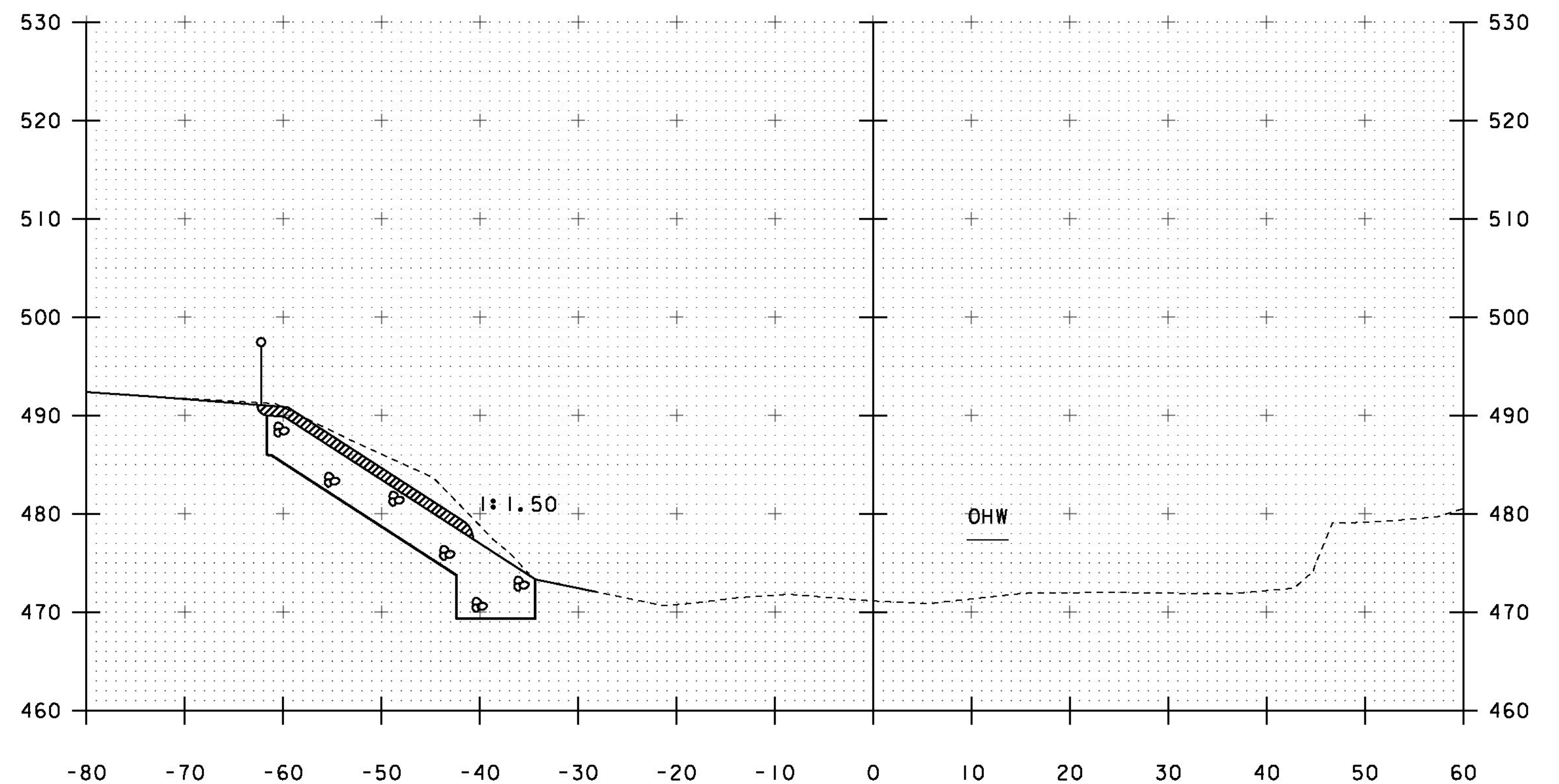
STA 12+27 LT. (ABUT #1)
 END UNCLASSIFIED CHANNEL EXCAVATION
 END STONE FILL, TYPE IV
 END GEOTEXTILE UNDER STONE FILL
 END GRUBBING MATERIAL



12+25



11+50



12+00

PROJECT NAME: BRISTOL	PLOT DATE: 04-JUN-2013
PROJECT NUMBER: BRO 1445(32)	DRAWN BY: R. PELLETT
FILE NAME: s05j352xs2.dgn	CHECKED BY: T. FILLBACH
PROJECT LEADER: J. LACROIX	SHEET 60 OF 66
DESIGNED BY: G. LAROCHE	
CHANNEL SECTIONS *4	

STA. 11+50 TO STA. 12+25