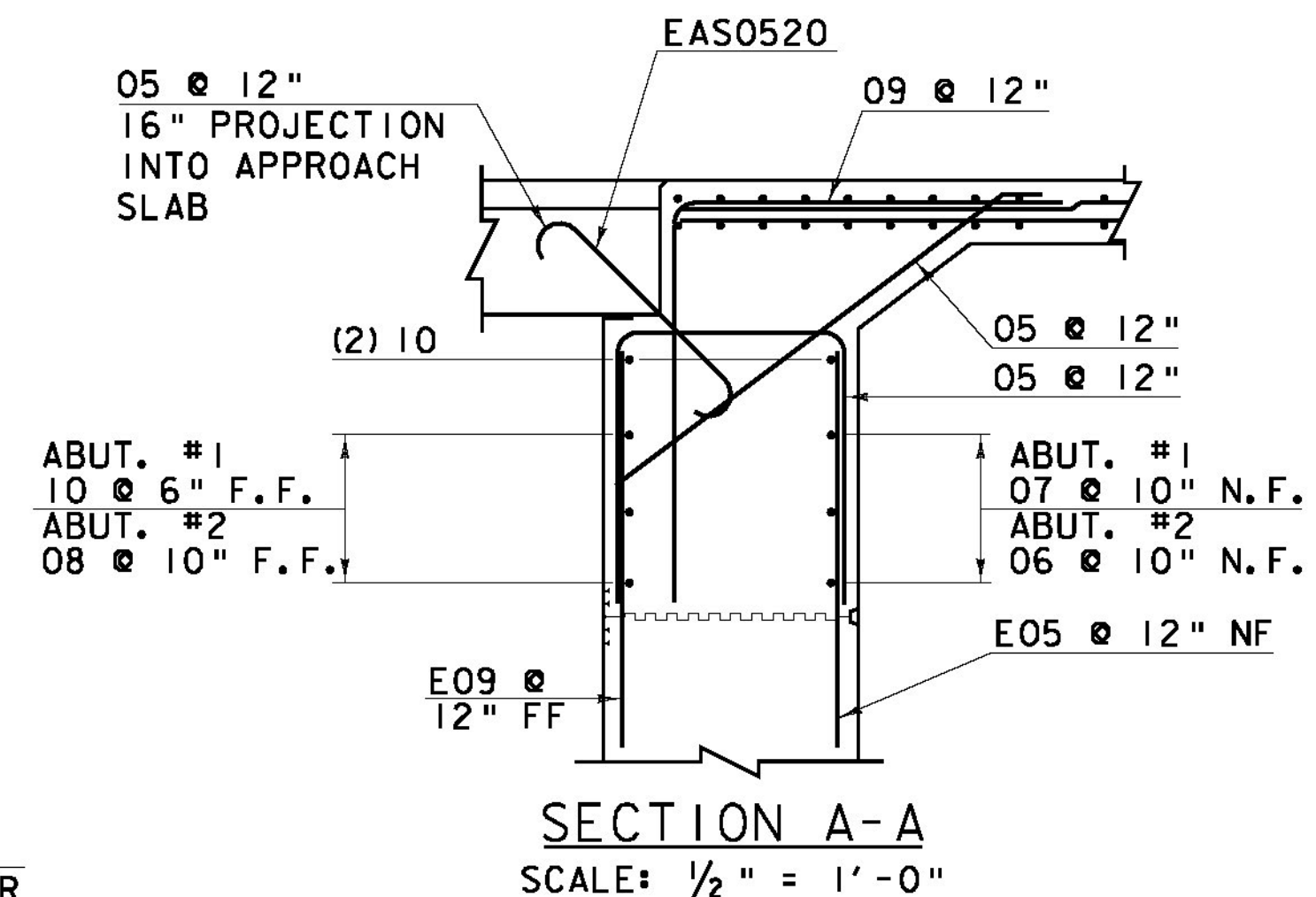
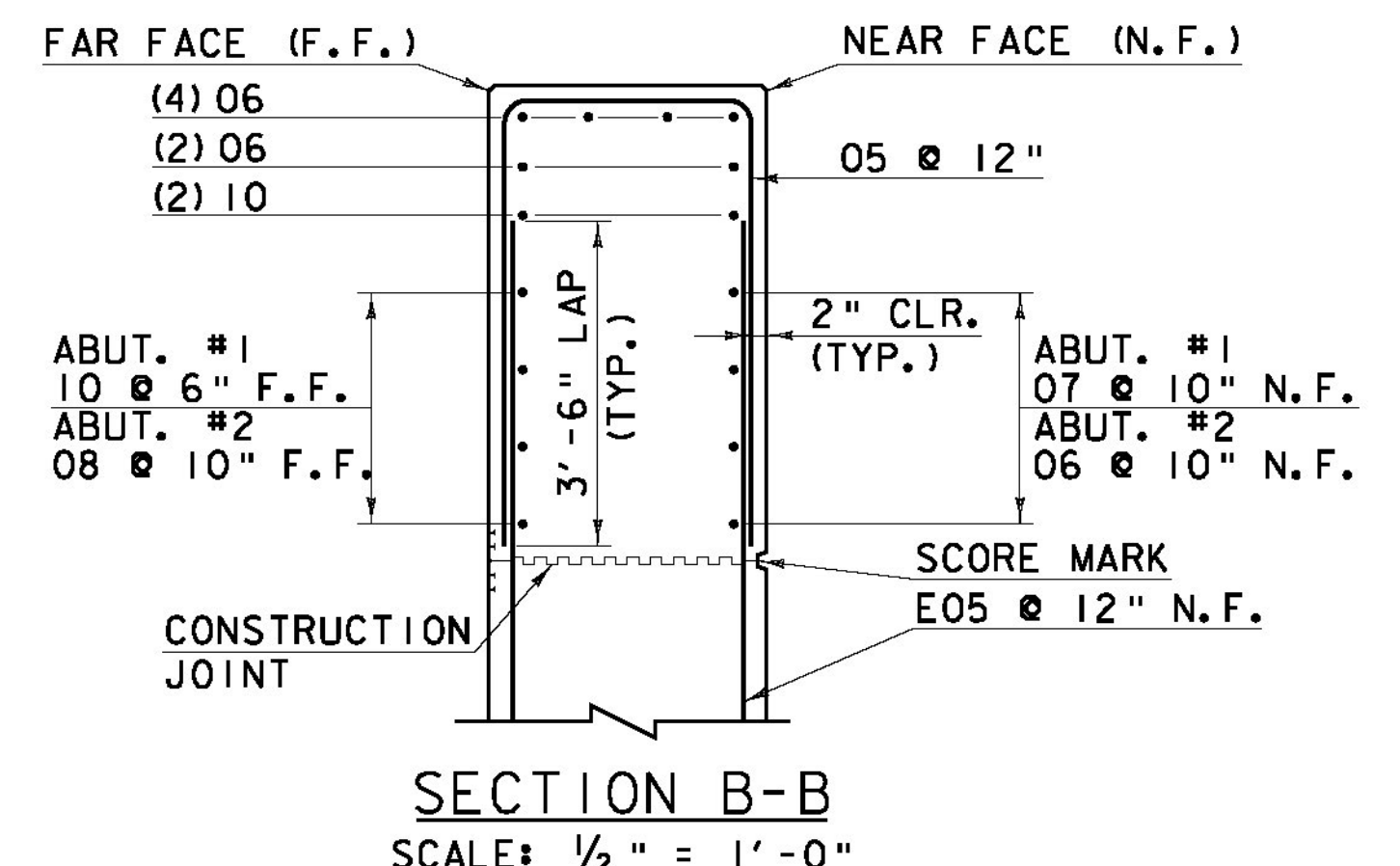


ABUTMENT TYPICAL SECTION
SCALE: 3/4" = 1'-0"

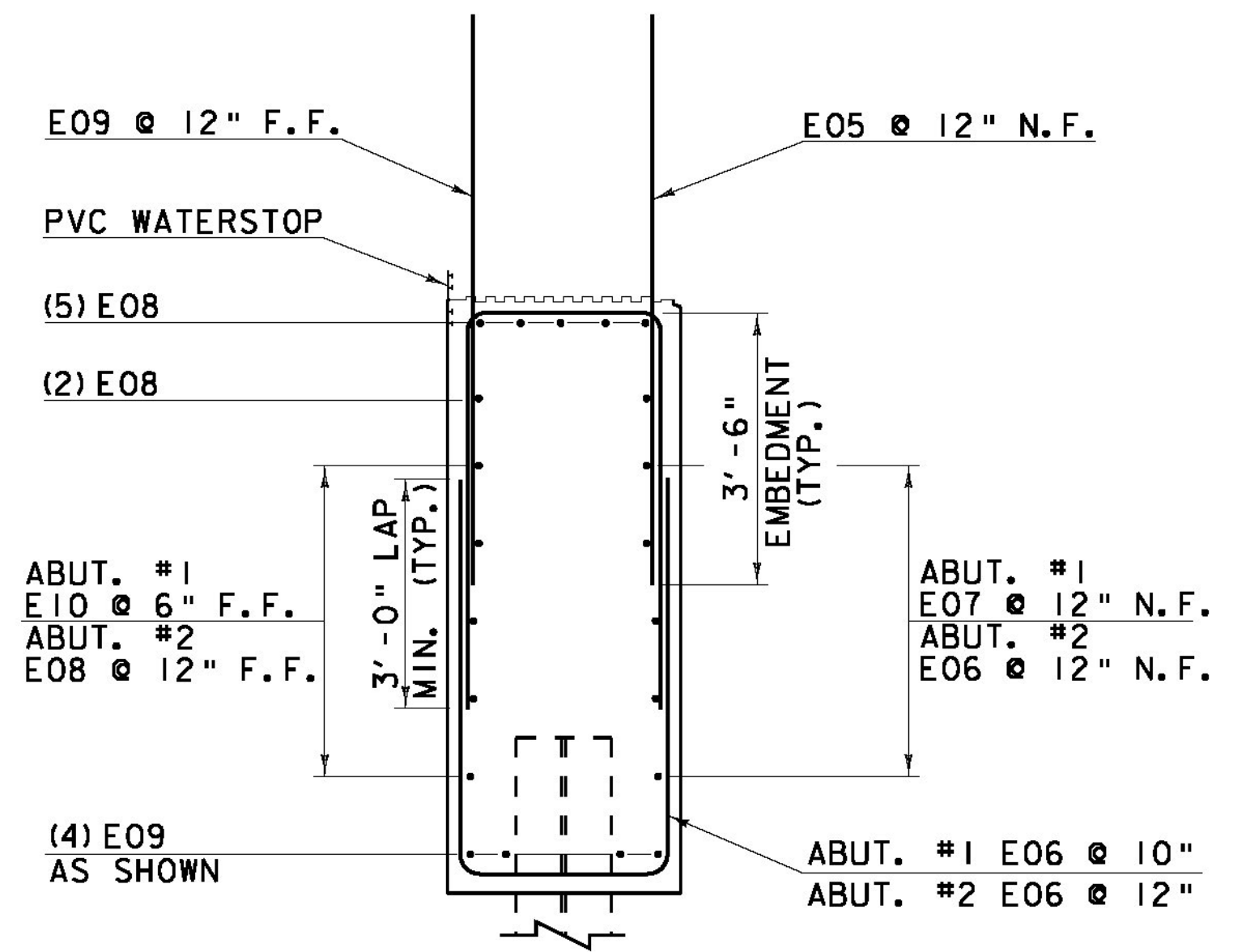


SECTION A-A
SCALE: 1/2" = 1'-0"

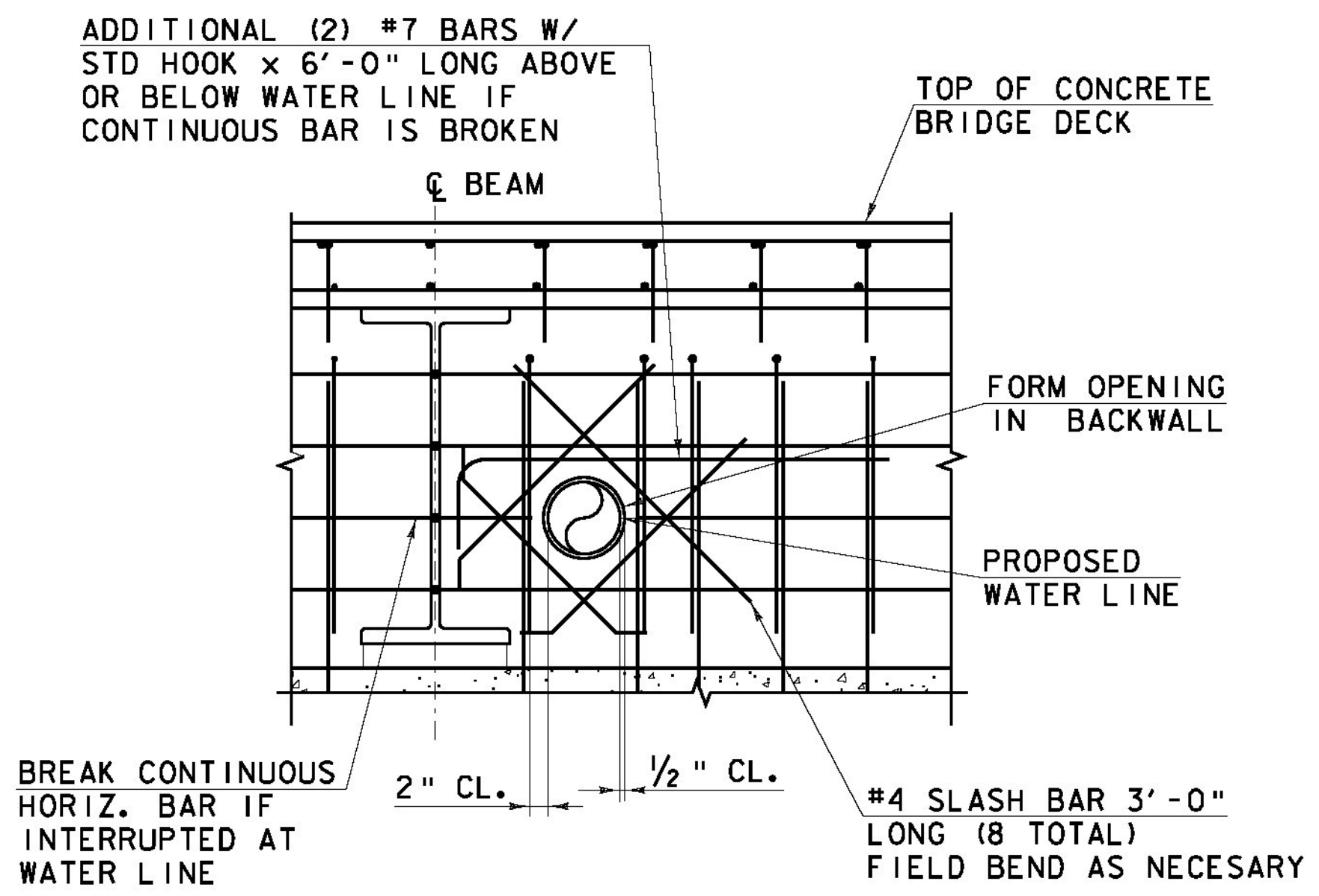


SECTION B-B
SCALE: 1/2" = 1'-0"

CONTRACTOR TO USE VIBRATOR ON BOTH SIDES OF EACH BEAM DURING END DIAPHRAGM POUR TO ENSURE FLOW OF CONCRETE BETWEEN BEAM AND PILE CAP

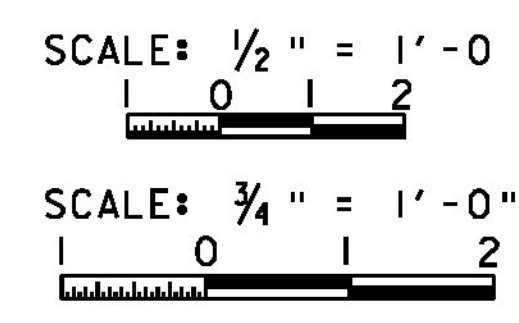


SECTION C-C
SCALE: 1/2" = 1'-0"



PIPE PENETRATION DETAIL
SCALE: 3/4" = 1'-0"

NOTE:
E = EPOXY COATED REINFORCING
NF = NEAR FACE
FF = FAR FACE
EF = EACH FACE
▲ = CUT TO FIT IN FIELD
2" CLEAR, UNLESS OTHERWISE SPECIFIED ON THE PLANS.
3'-0" BAR LAP UNLESS OTHERWISE SPECIFIED ON THE PLANS.



Hoyle, Tanner & Associates, Inc.
HTA PROJECT MODEL
904226 z051352DTL

PROJECT NAME: BRISTOL
PROJECT NUMBER: BRO 1445(32)
FILE NAME: z051352DTL.dgn
PROJECT LEADER: J.LACROIX
DESIGNED BY: J.LIN/ A.SAUNDERS
ABUTMENT SECTIONS
PLOT DATE: 02/28/2013
DRAWN BY: J.MCOUJAD
CHECKED BY: J.LIN
SHEET 42 OF 66

