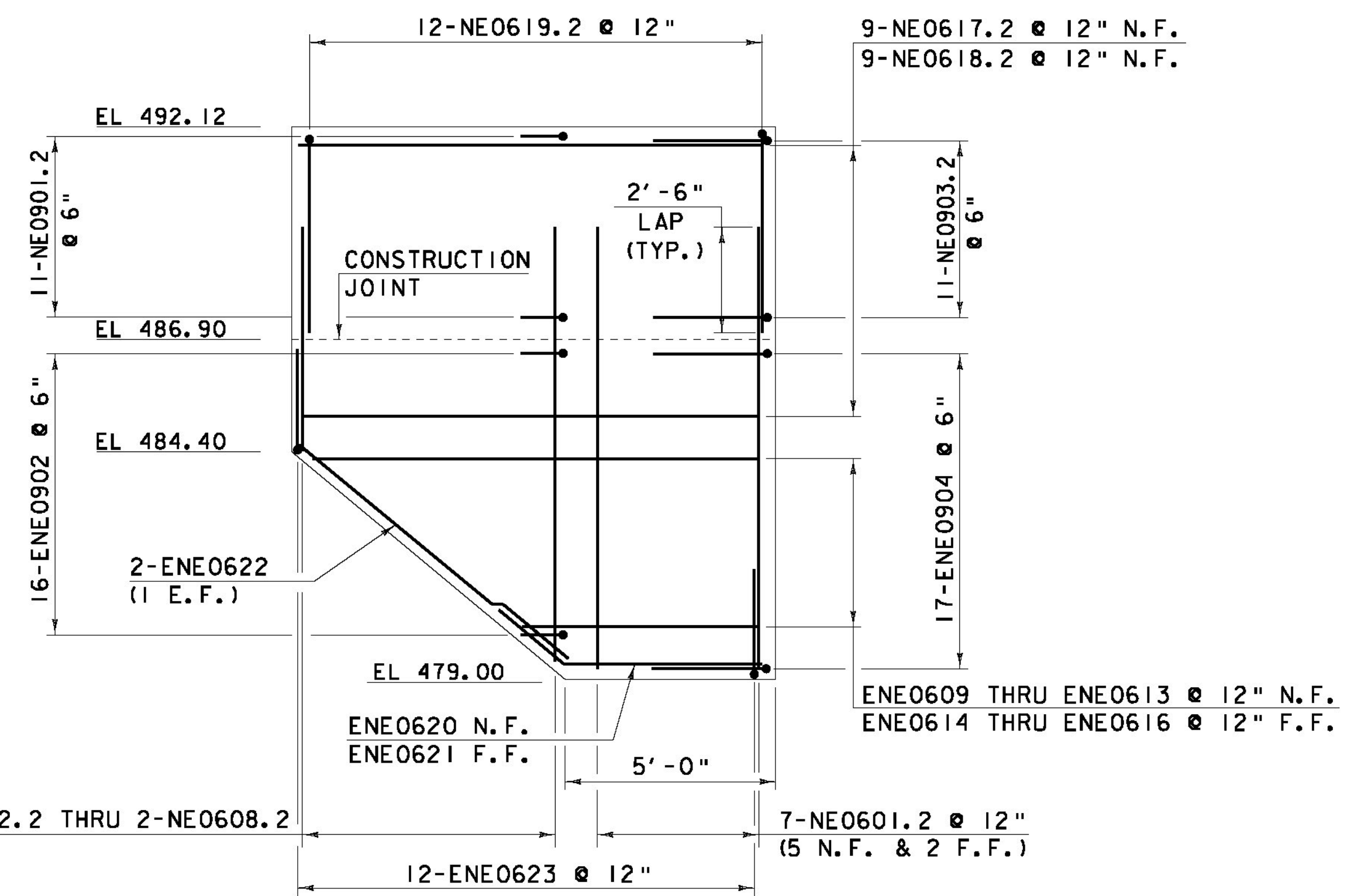
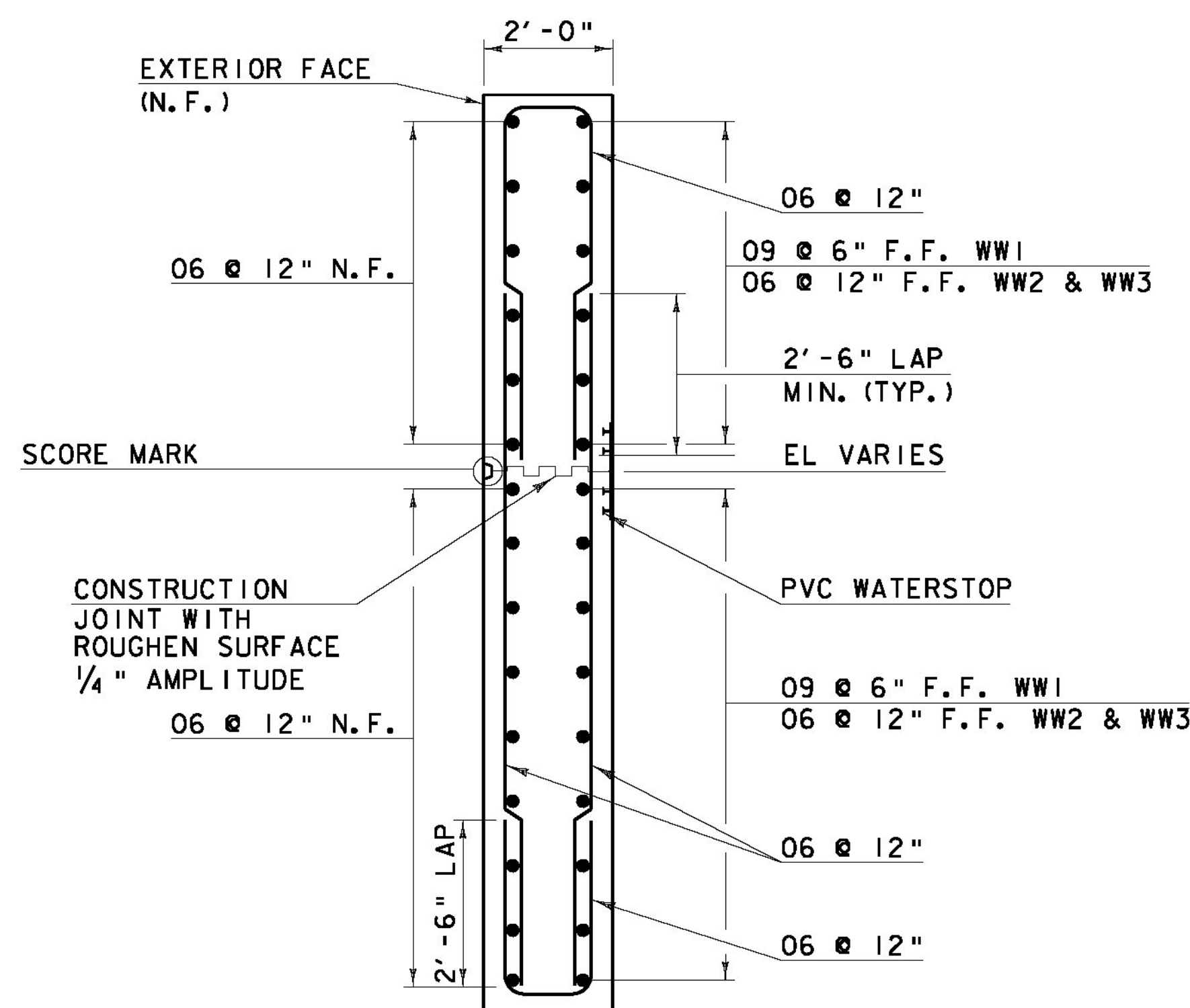


WW1
SCALE: 3/8" = 1'-0"

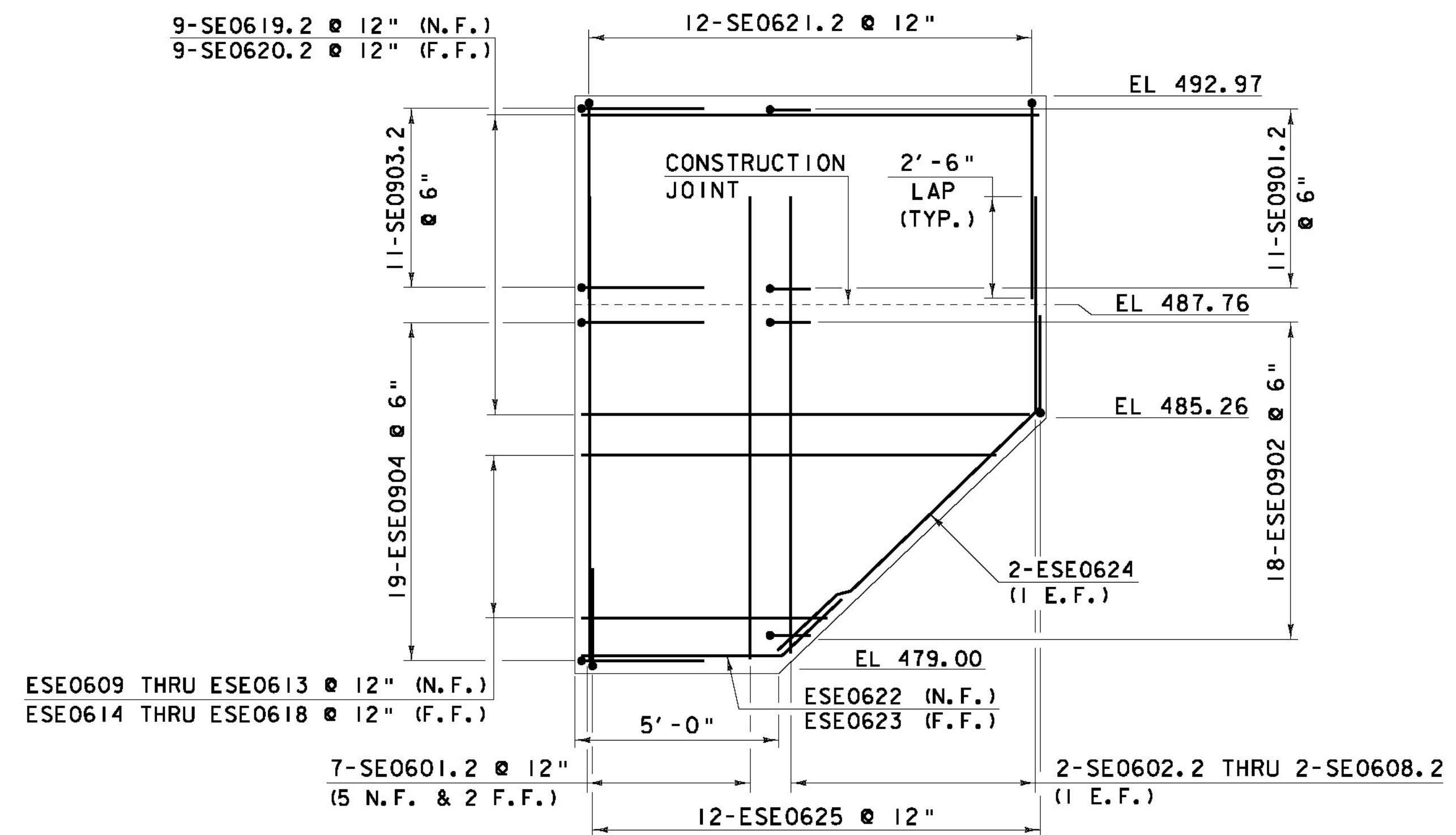


WW3
SCALE: 3/8" = 1'-0"



WINGWALL TYPICAL
SCALE: 1/2" = 1'-0"

NOTE:
E = EPOXY COATED
NF = NEAR FACE
FF = FAR FACE
EF = EACH FACE
▲ = CUT TO FIT IN FIELD
2" CLEAR, UNLESS OTHERWISE SPECIFIED ON THE PLANS.
3'-0" BAR LAP UNLESS OTHERWISE SPECIFIED ON THE PLANS.



WW4
SCALE: 3/8" = 1'-0"

SCALE: 3/8" = 1'-0"
1 0 1 2 3 4

Hoyle, Tanner & Associates, Inc.

HTA PROJECT MODEL
904226 z051352sub3

PROJECT NAME: BRISTOL
PROJECT NUMBER: BRO 1445(32)

FILE NAME: z051352sub3.dgn
PROJECT LEADER: J.LACROIX
DESIGNED BY: J.LIN/ A.SAUNDERS
WINGWALL ELEVATIONS

PLOT DATE: 02/28/2013
DRAWN BY: J.MCQUAID
CHECKED BY: J.LIN
SHEET 41 OF 66

