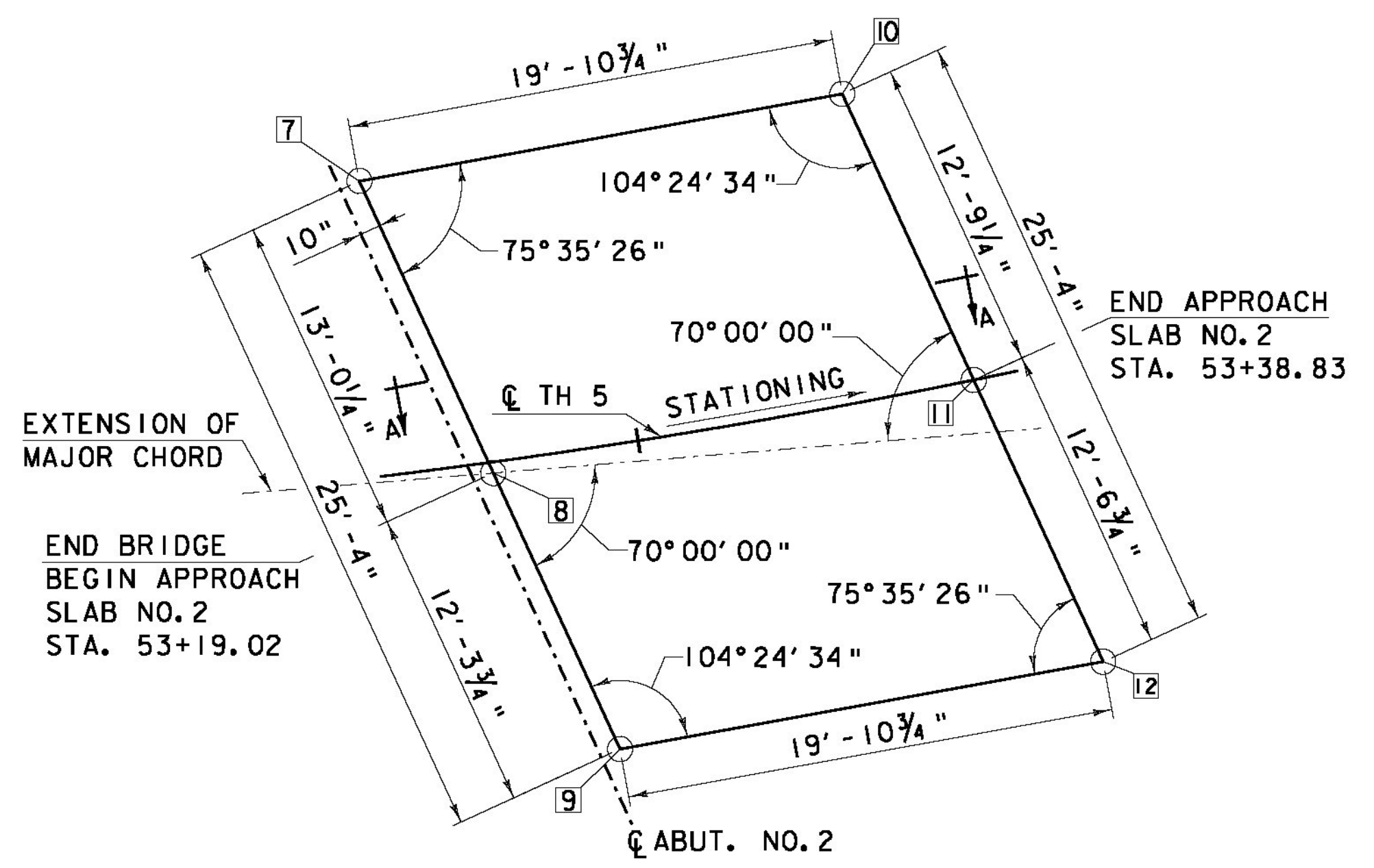


APPROACH SLAB NO. 1 MASONRY
SCALE: 3/16" = 1'-0"

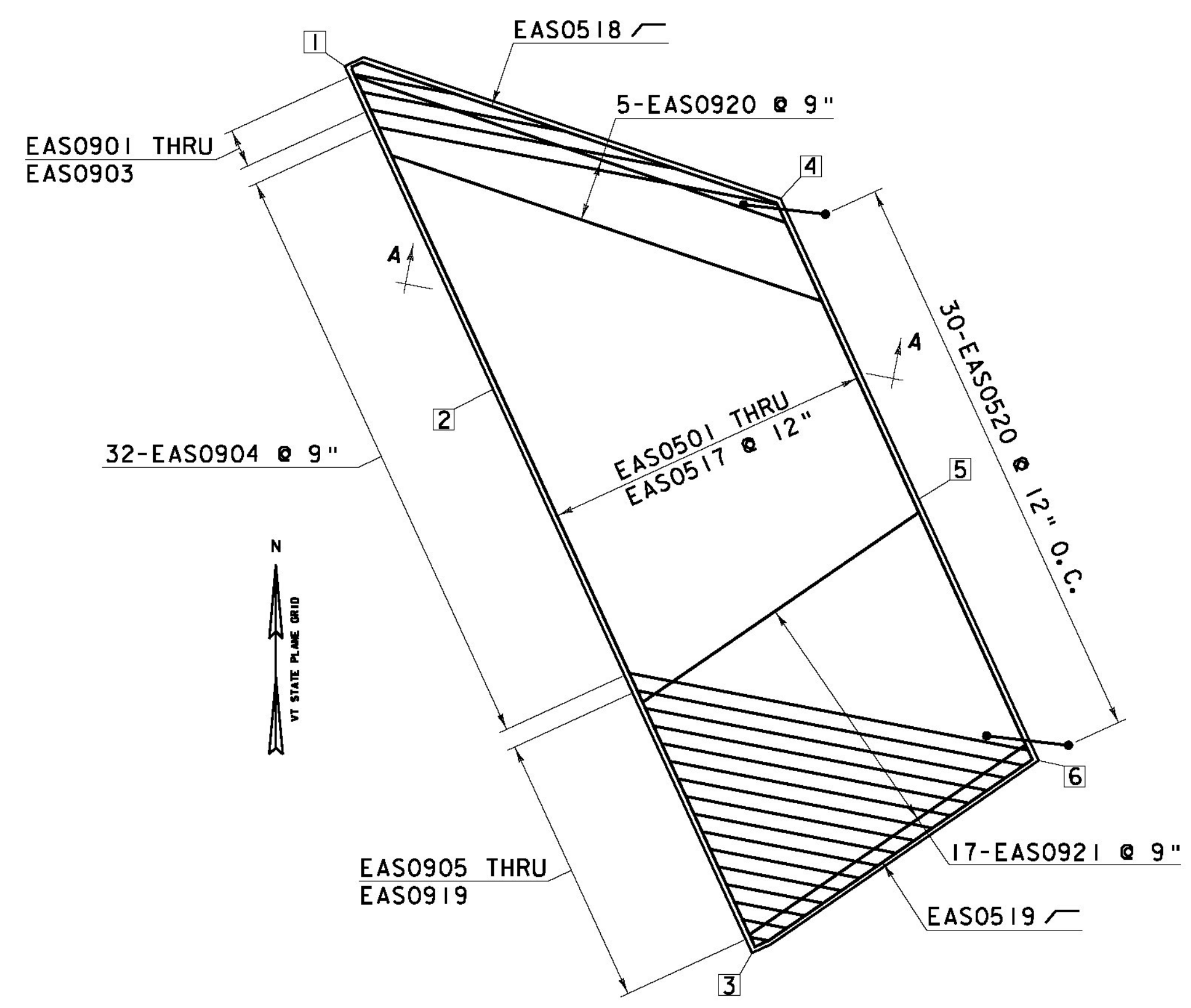


APPROACH SLAB NO. 2 MASONRY
SCALE: 3/16" = 1'-0"

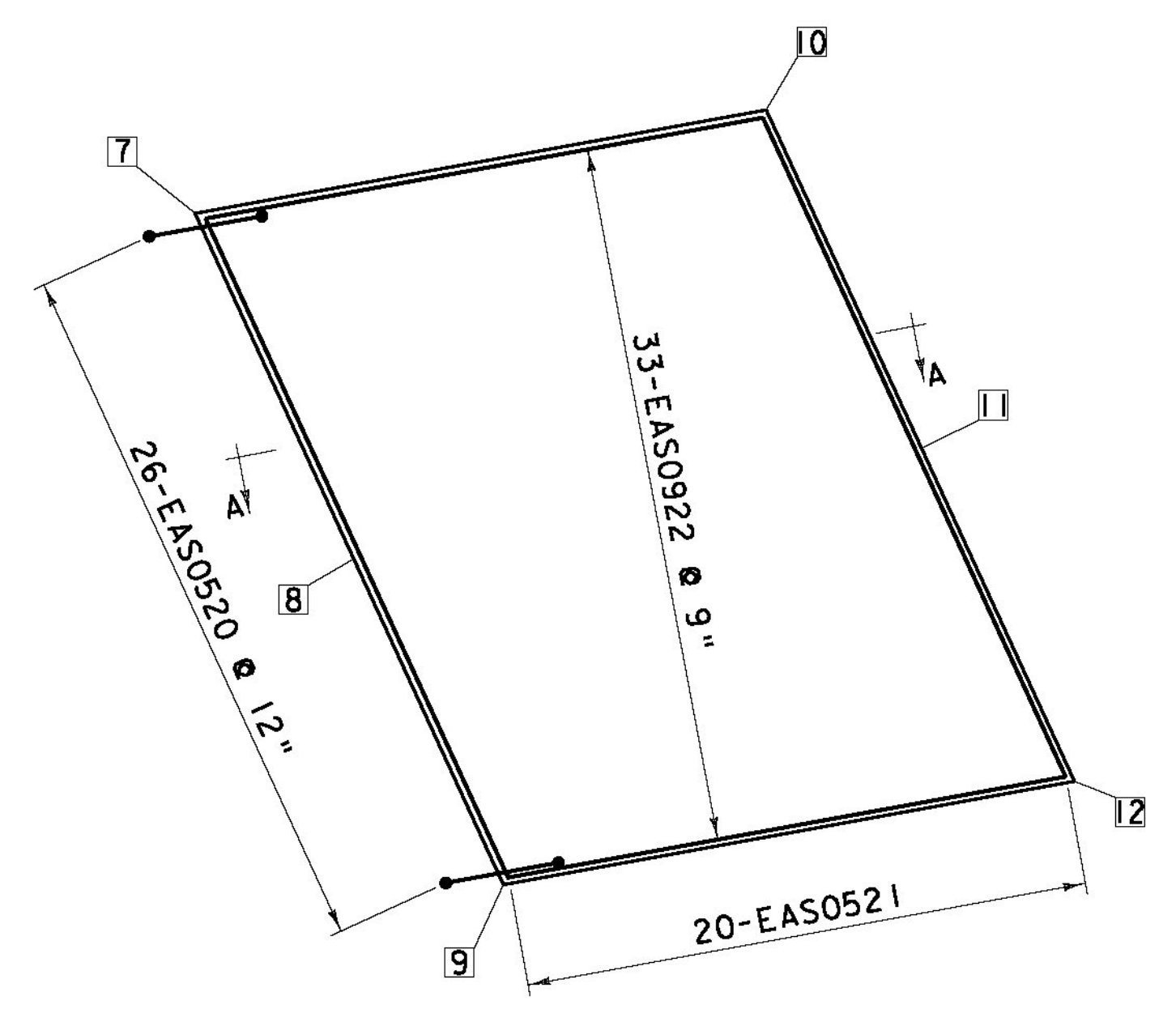
| APPROACH SLAB #1 | | | |
|------------------|----------|------------|------------------|
| POINTS | STATION | OFFSET | TOP OF SLAB ELEV |
| 1 | 51+63.29 | 12.00' LT. | 493.27 |
| 2 | 51+76.04 | 0 | 493.84 |
| 3 | 51+91.88 | 23.71' RT. | 494.82 |
| 4 | 51+88.01 | 12.00' LT. | 493.04 |
| 5 | 51+96.82 | 1.38' RT. | 493.60 |
| 6 | 52+02.75 | 13.49' RT. | 494.05 |

| APPROACH SLAB #2 | | | |
|------------------|----------|------------|------------------|
| POINTS | STATION | OFFSET | TOP OF SLAB ELEV |
| 7 | 53+15.08 | 12.00' LT. | 491.79 |
| 8 | 53+19.01 | 0.44' RT. | 492.22 |
| 9 | 53+22.44 | 12.25' RT. | 492.64 |
| 10 | 53+35.81 | 12.42' LT. | 491.79 |
| 11 | 53+38.83 | 0 | 492.20 |
| 12 | 53+41.56 | 12.25' RT. | 492.64 |

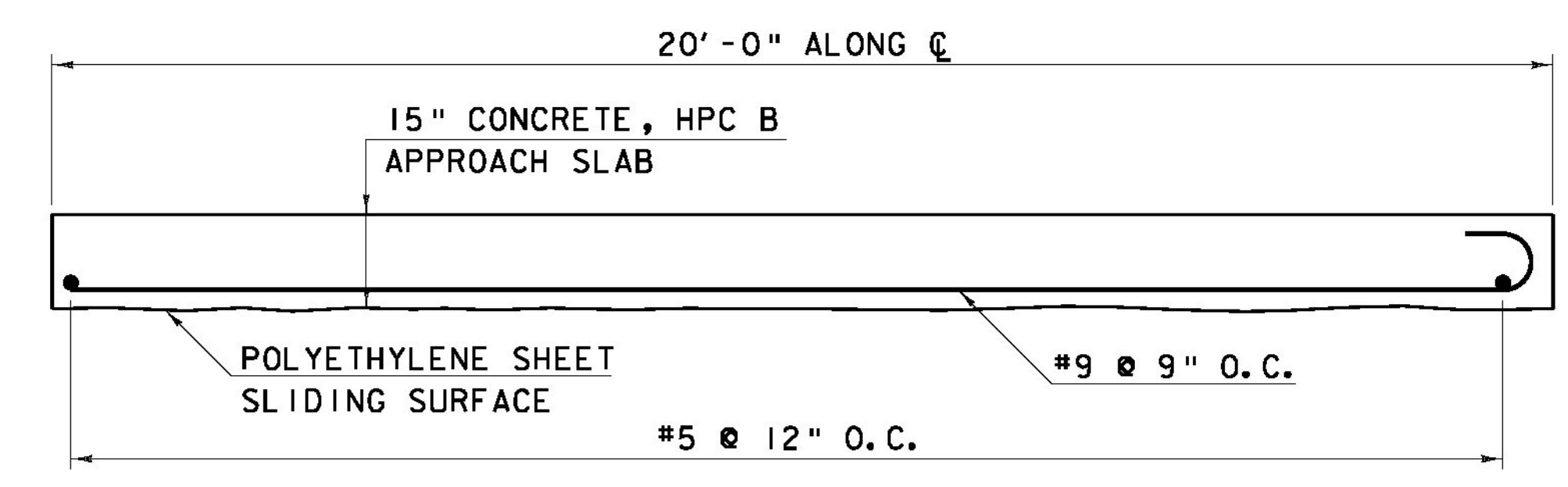
NOTE:
 E = EPOXY COATED
 NF = NEAR FACE
 FF = FAR FACE
 EF = EACH FACE
 ▲ = CUT TO FIT IN FIELD
 3" CLEAR, UNLESS OTHERWISE SPECIFIED ON THE PLANS.
 2'-2" BAR LAP UNLESS OTHERWISE SPECIFIED ON THE PLANS.



APPROACH SLAB NO. 1 REINFORCING
SCALE: 3/16" = 1'-0"



APPROACH SLAB NO. 2 REINFORCING
SCALE: 3/16" = 1'-0"



SECTION A-A
SCALE: 1/2" = 1'-0"
NOTE: PAYMENT FOR THE POLYETHYLENE SHEET WILL BE INCIDENTAL TO THE APPROACH SLAB CONCRETE ITEM.



Hoyle, Tanner & Associates, Inc.

| | |
|-------------|-------------|
| HTA PROJECT | MODEL |
| 904226 | Z051352supl |

| | | | | | |
|-----------------|--------------|----------------------|-----------------------|-------------|------------|
| PROJECT NAME: | BRISTOL | FILE NAME: | Z051352supl.dgn | PLOT DATE: | 02/28/2013 |
| PROJECT NUMBER: | BRO 1445(32) | PROJECT LEADER: | J.LACROIX | DRAWN BY: | J.MCOLAID |
| | | DESIGNED BY: | J.LJOLIN / A.SAUNDERS | CHECKED BY: | J.LJOLIN |
| | | APPROACH SLAB | | SHEET | 37 OF 66 |