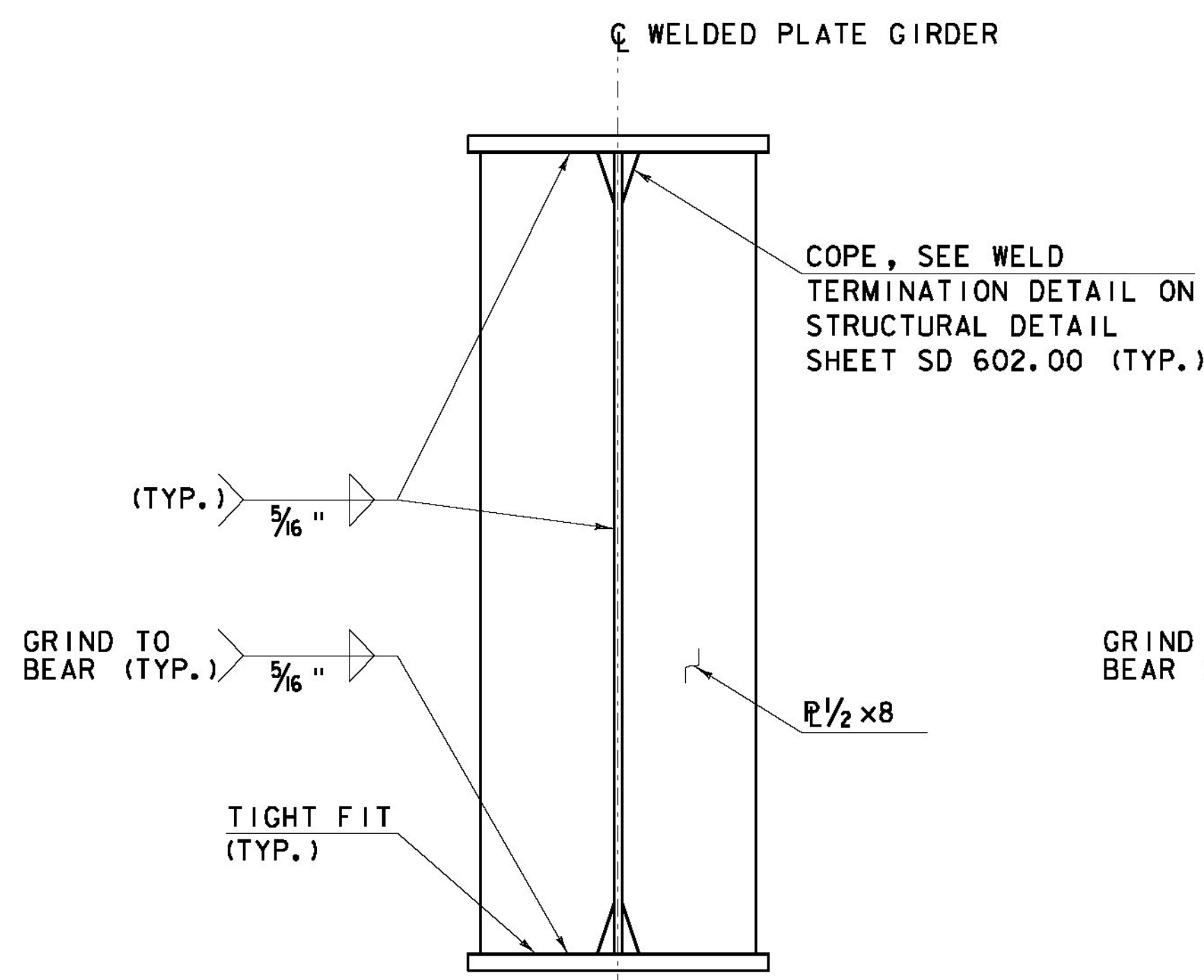
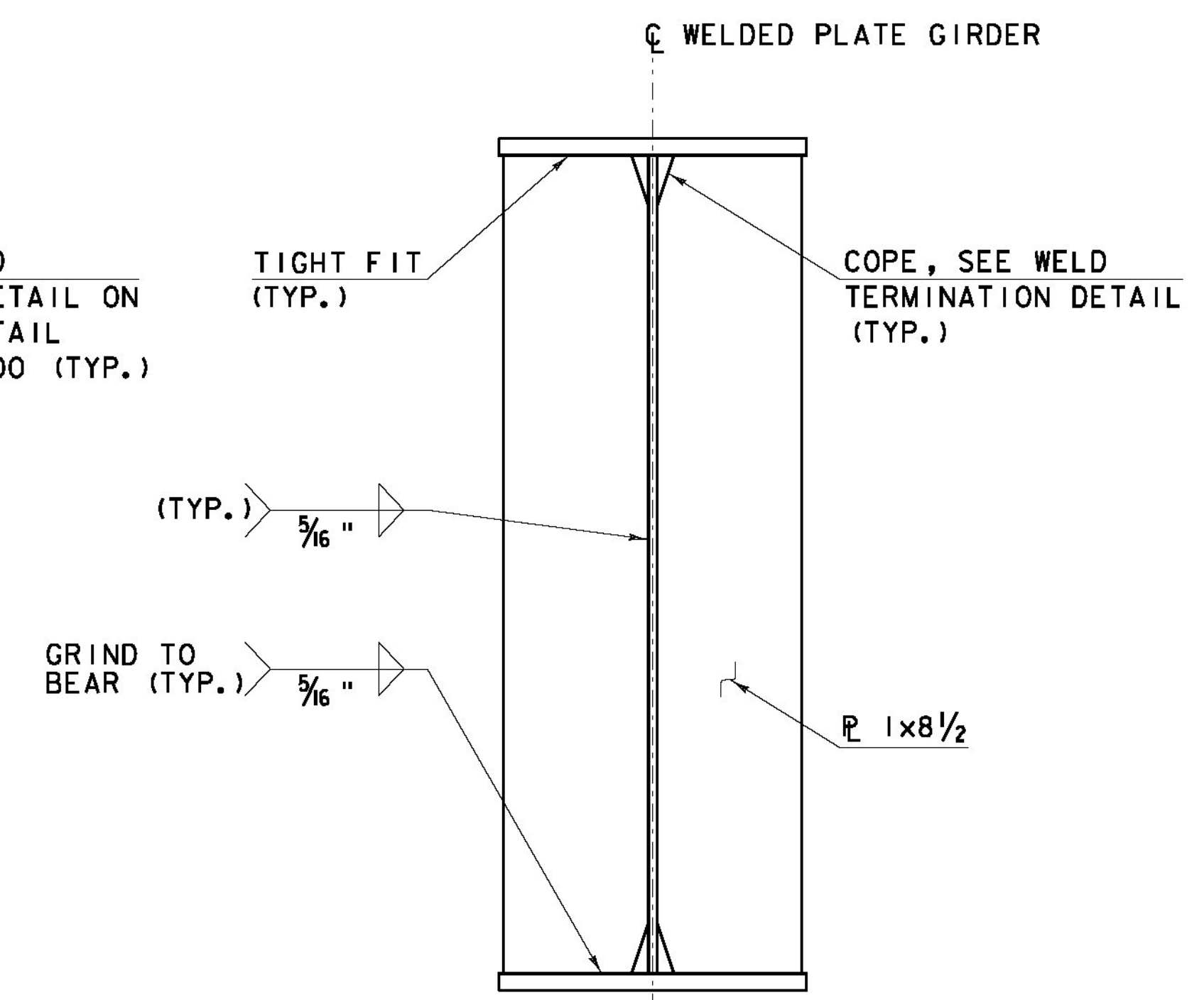


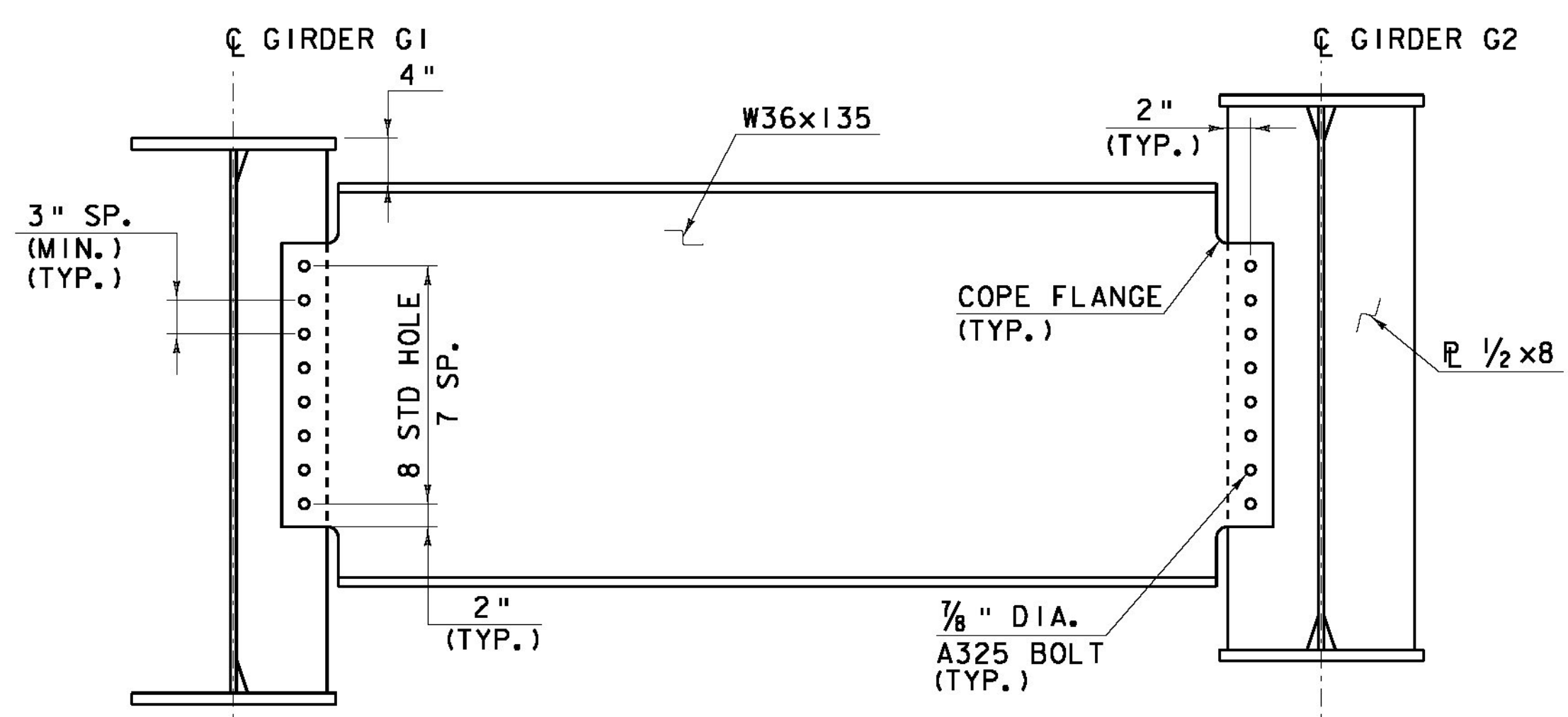
**FLANGE LATERAL BRACING  
CONNECTION DETAIL**  
SCALE: 1 1/2" = 1'-0"



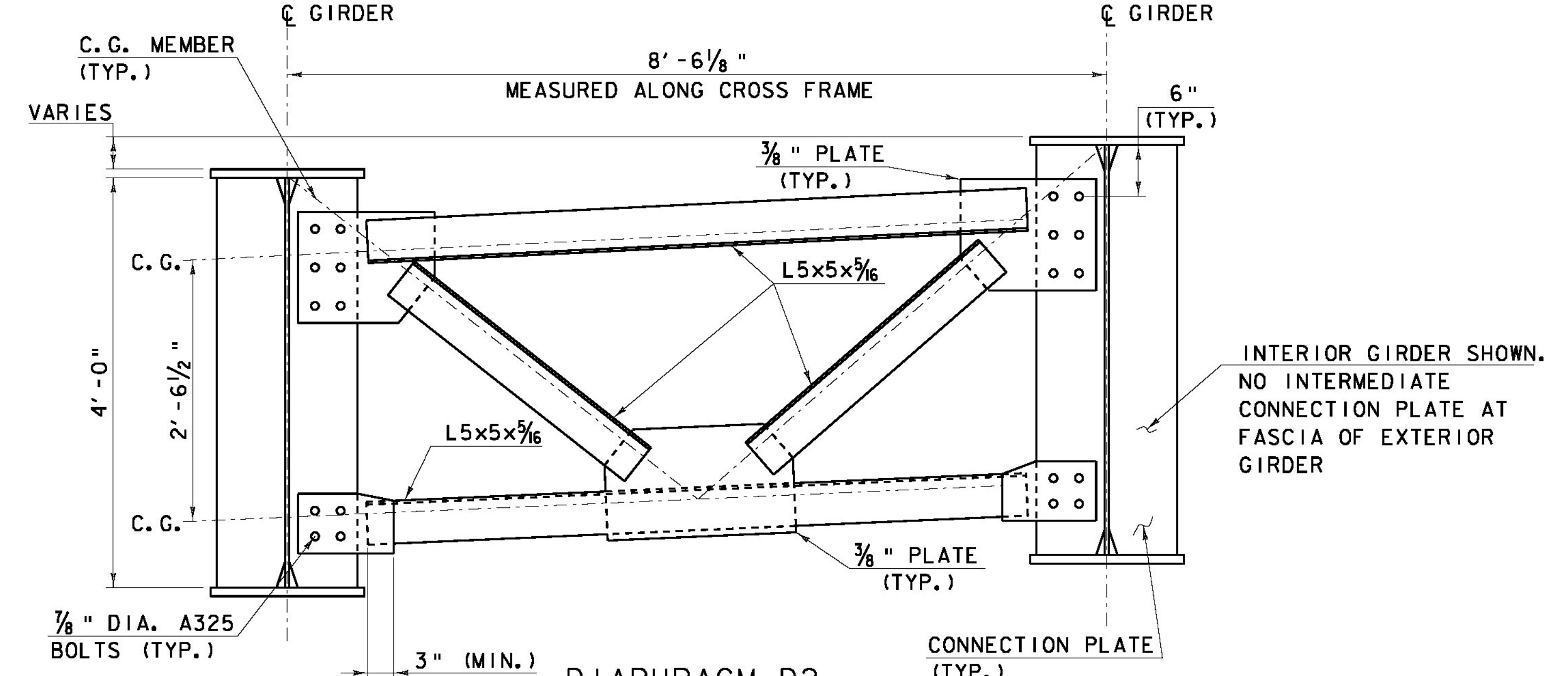
**INTERMEDIATE CONNECTION PLATES**  
SCALE: 1 1/2" = 1'-0"



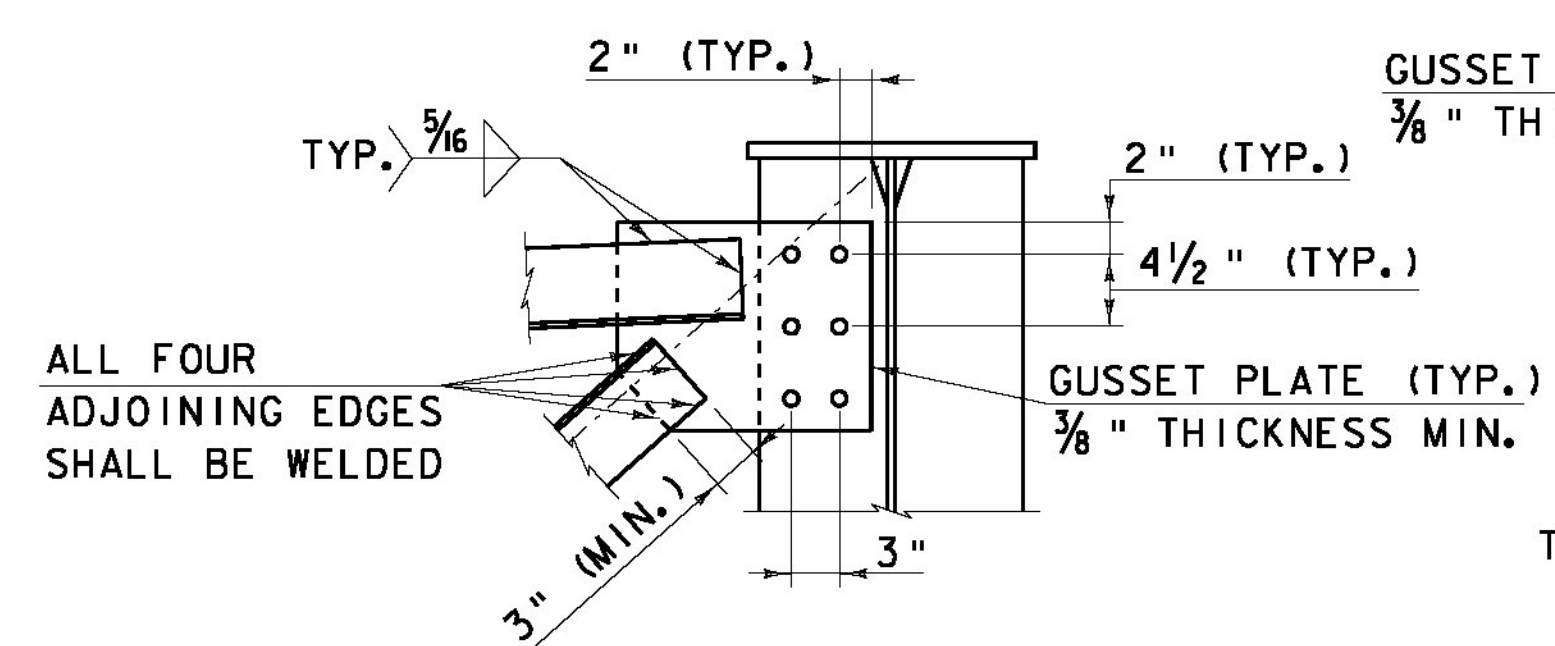
**BEARING STIFFENER PLATES**  
SCALE: 1 1/2" = 1'-0"



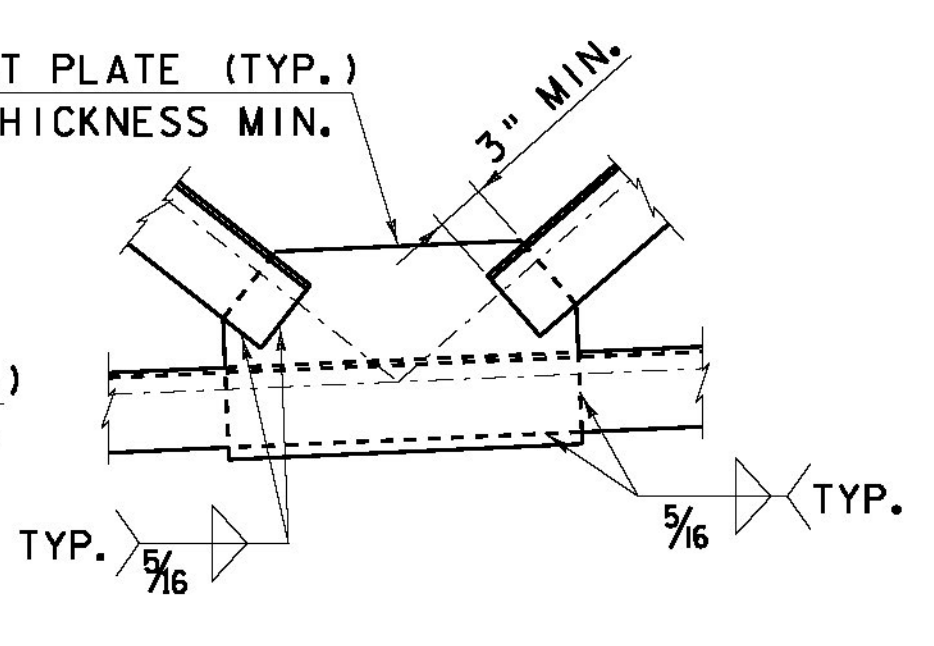
**DIAPHRAGM D1**  
SCALE: 1" = 1'-0"



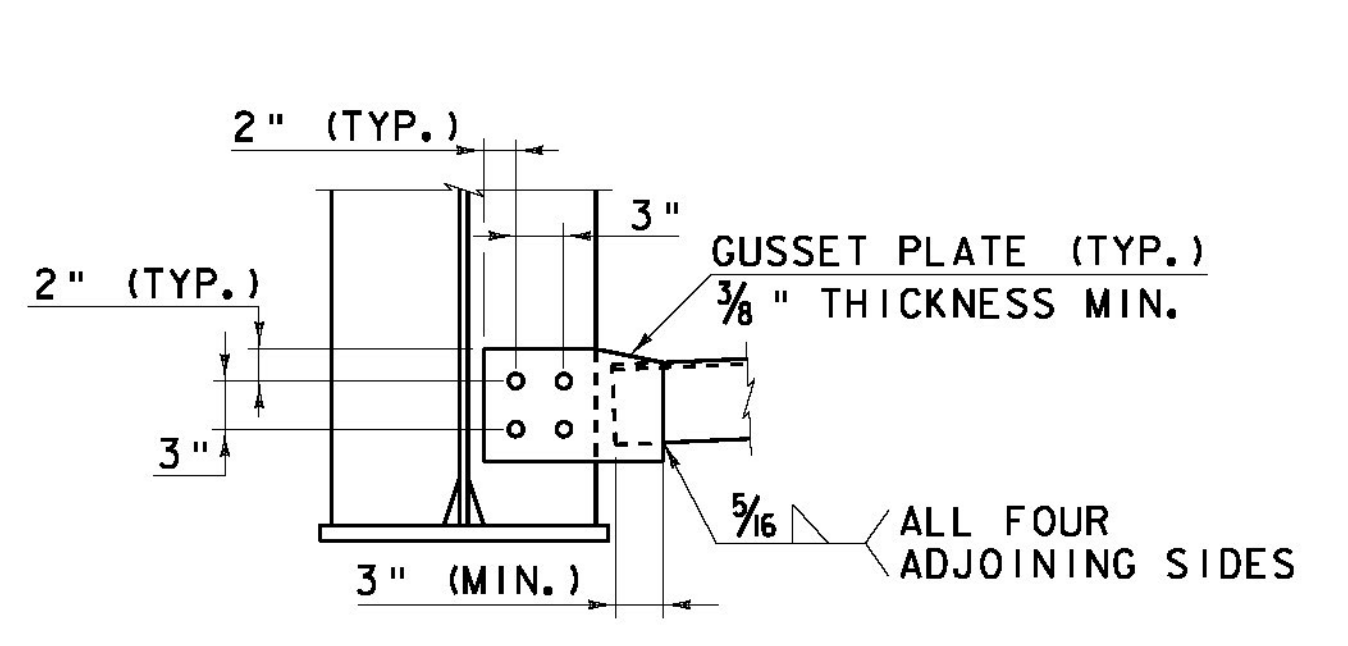
**DIAPHRAGM D2**  
SCALE: 1" = 1'-0"



**TYPICAL TOP WELD CONNECTION DETAILS**  
SCALE: 1" = 1'-0"



**CENTER GUSSET PLATE**  
SCALE: 1" = 1'-0"



**TYPICAL BOTTOM WELD CONNECTION DETAILS**  
SCALE: 1" = 1'-0"



**Hoyle, Tanner & Associates, Inc.**

HTA PROJECT	MODEL
904226	z051352ssdt11

PROJECT NAME:	BRISTOL	FILE NAME:	z051352ssdt11.dgn	PLOT DATE:	02/28/2013
PROJECT NUMBER:	BRO 1445(32)	PROJECT LEADER:	J.LACROIX	DRAWN BY:	J.MCQUAID
		DESIGNED BY:	J.OLIN/ A.SAUNDERS	CHECKED BY:	J.OLIN
		<b>CROSS FRAME</b>			SHEET 35 OF 66