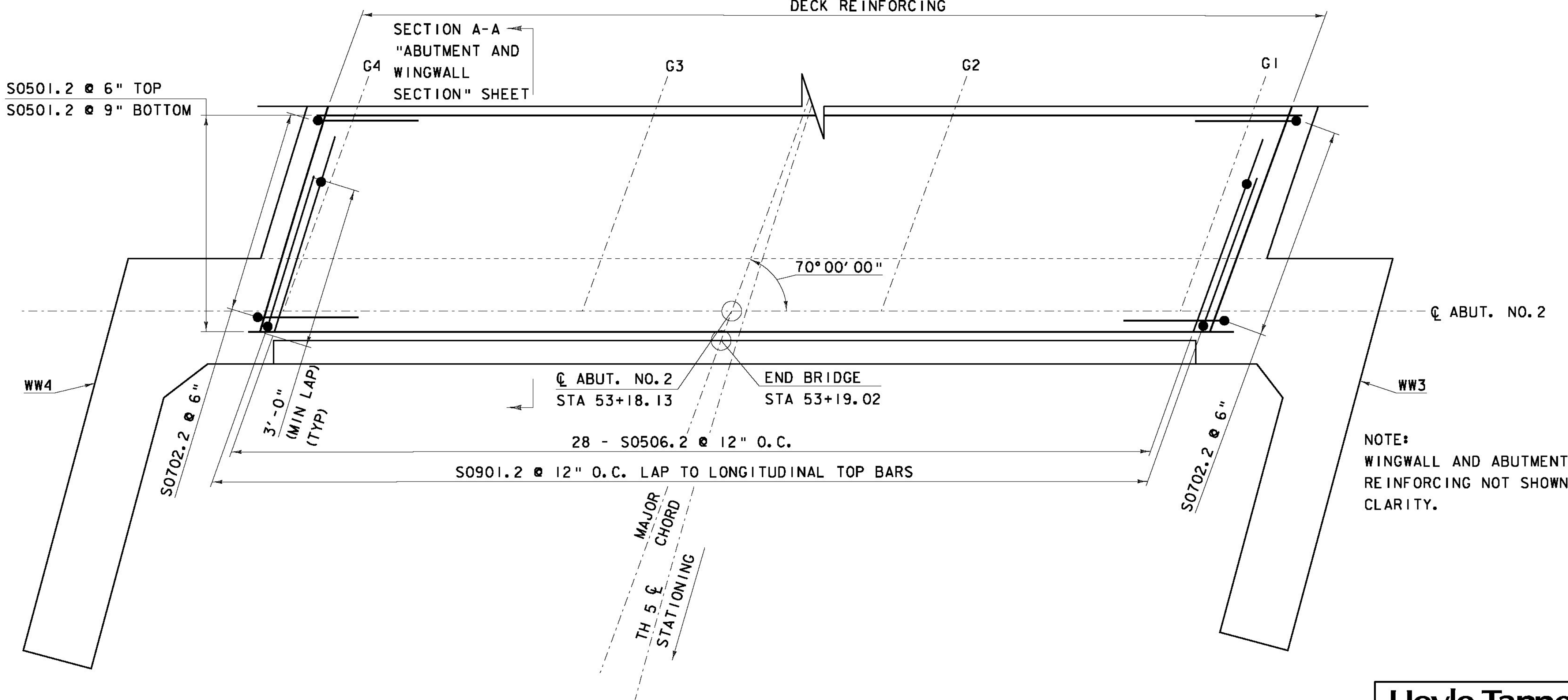


ABUTMENT NO. 1 REINFORCING
SCALE 1/2" = 1'-0"



ABUTMENT NO. 2 REINFORCING
SCALE 1/2" = 1'-0"

NOTE:
 NF = NEAR FACE
 FF = FAR FACE
 EF = EACH FACE
 ▲ = CUT TO FIT IN FIELD
 3" CLEAR, UNLESS OTHERWISE SPECIFIED ON THE PLANS.
 3'-0" BAR LAP UNLESS OTHERWISE SPECIFIED ON THE PLANS.

NOTE:
 WINGWALL AND ABUTMENT REINFORCING NOT SHOWN FOR CLARITY.



Hoyle, Tanner & Associates, Inc.

HTA PROJECT	MODEL
904226	z051352sup4

PROJECT NAME:	BRISTOL	FILE NAME:	z051352sup4.dgn	PLOT DATE:	02/28/2013
PROJECT NUMBER:	BRO 1445(32)	PROJECT LEADER:	J.LACROIX	DRAWN BY:	J.MCQUAID
		DESIGNED BY:	J.OLIN/ A.SAUNDERS	CHECKED BY:	J.OLIN
		DECK END DETAILS			SHEET 33 OF 66