

WARNING

THE INSTALLING CONTRACTOR IS RESPONSIBLE FOR THE WIRING OF ALL DEVICES, THE WIRE TYPE AND THAT ALL WIRE SIZES MEET STATE AND LOCAL CODE REQUIREMENTS. THE INSTALLING CONTRACTOR IS ALSO RESPONSIBLE THAT THE INSTALLATION IS FREE OF ALL DEFECTS.

WIRING SPECIFICATIONS

POWER CKTS- 16AWG MIN 12AWG MAX
 ZONE/SUBLOOP- 16 AWG MIN 12AWG MAX.
 STROBE CKTS- 16AWG MIN 12AWG MAX
 POWER LIMITED AND NONPOWER LIMITED CABLE CAN NOT BE RUN THROUGH THE SAME RACEWAY.

NOTES

1 Must be grounded to a driven ground rod or the cold water pipe on the street side of the main shut off valve.
 2 No AC voltage on any terminal other than those specified.

GENERAL NOTES

- ALL Fire Alarm System wiring shall comply with the National Electrical Code, Applicable State and Local Fire and Safety Codes, as well as being coordinated with the Local Authority Having Jurisdiction.
- CAUTION DO NOT connect any power to control panel (batteries or 120 vac) until all other field wiring is tested and connected.
- DO NOT install F.A.C.P. or smoke detectors in any unheated area.
- DO NOT install any A.C. current carrying conductors close to or in the same raceway with fire alarm system conductors.
- Dotted lines indicate factory wiring. Solid lines indicate connections to be made by the installer.
- See Installation Manual for additional wiring instructions.
- Indicating circuit outputs are 2 amps at 24 VDC per circuit.
- Cabinet Dimensions: EN2R
 L 53" W 26" D 5.60"

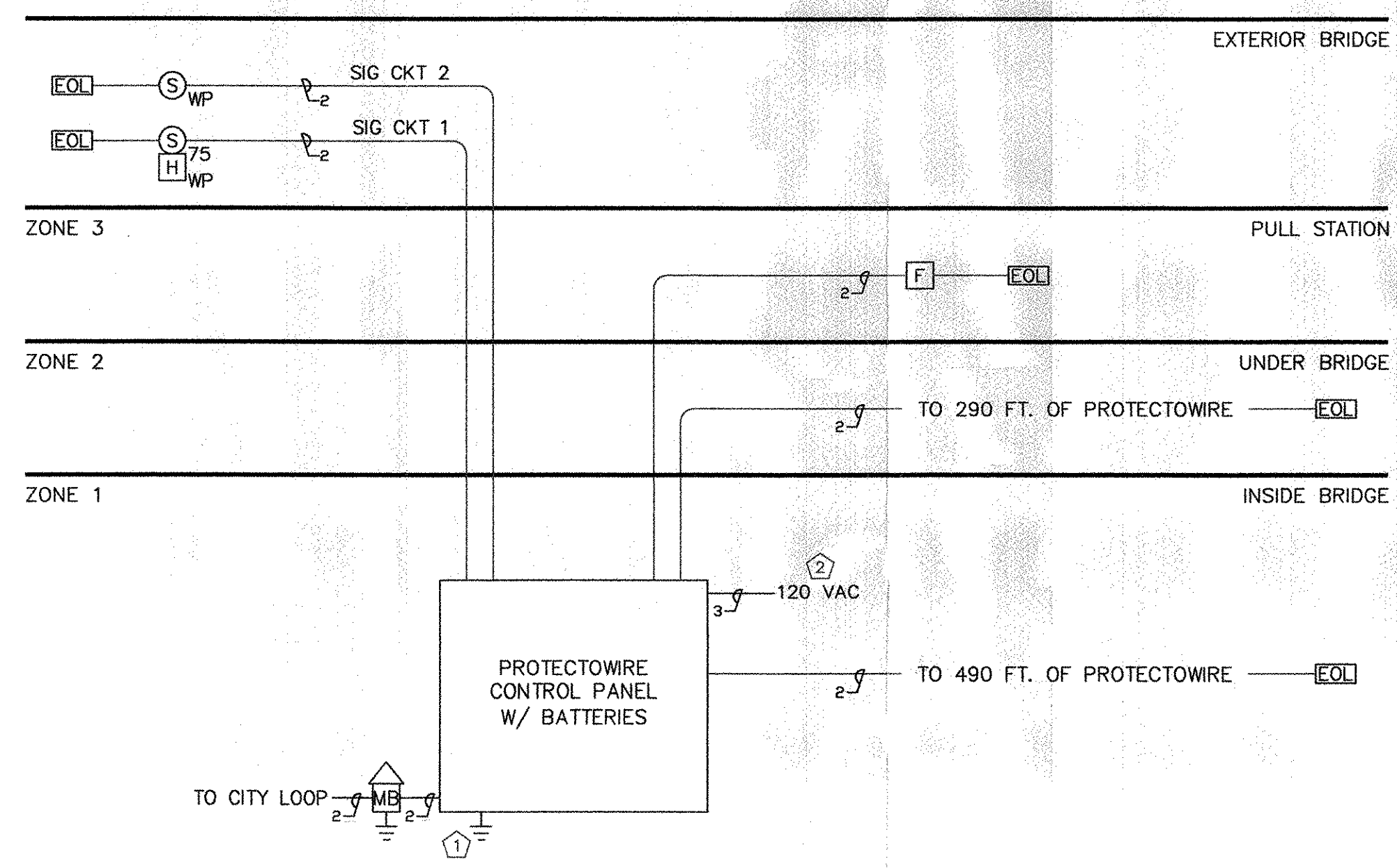
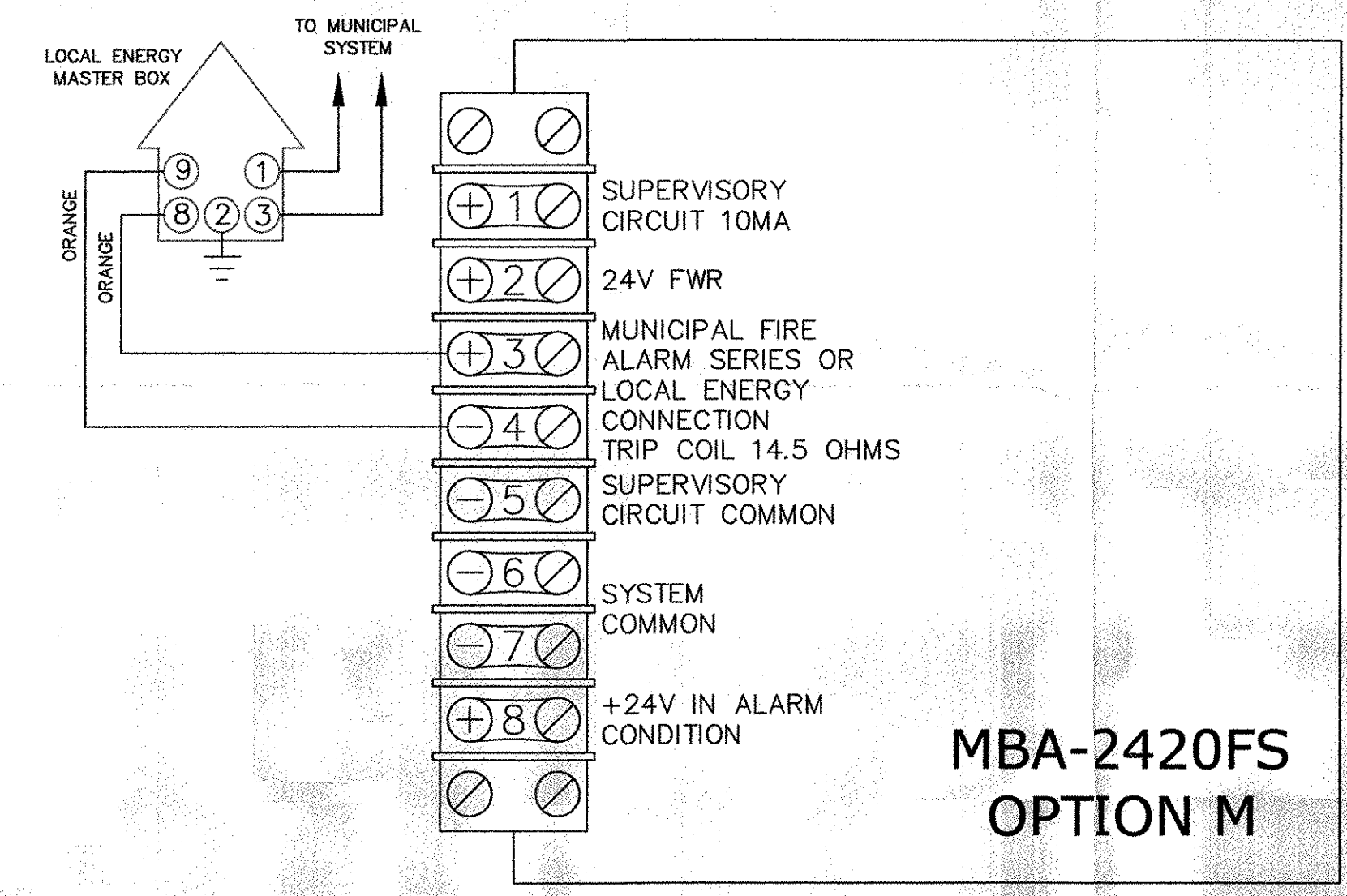
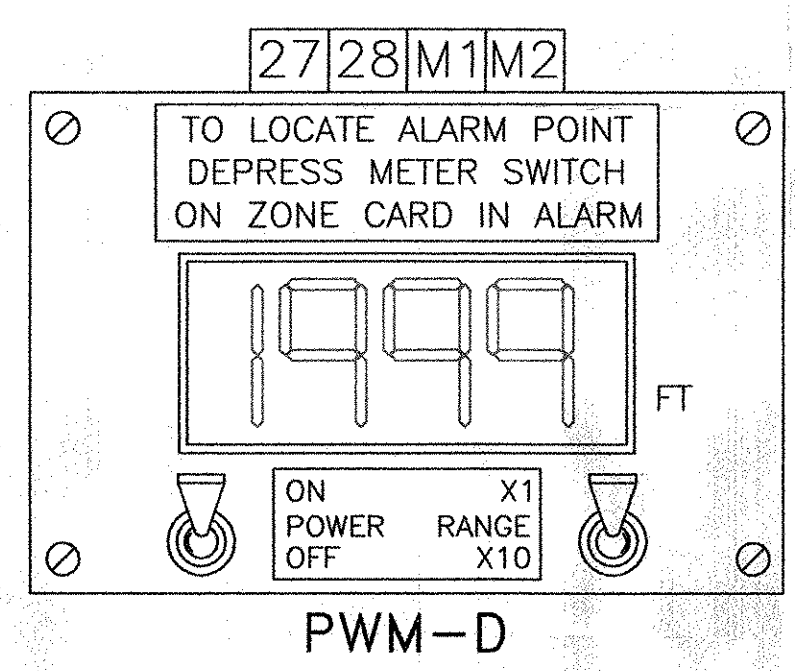
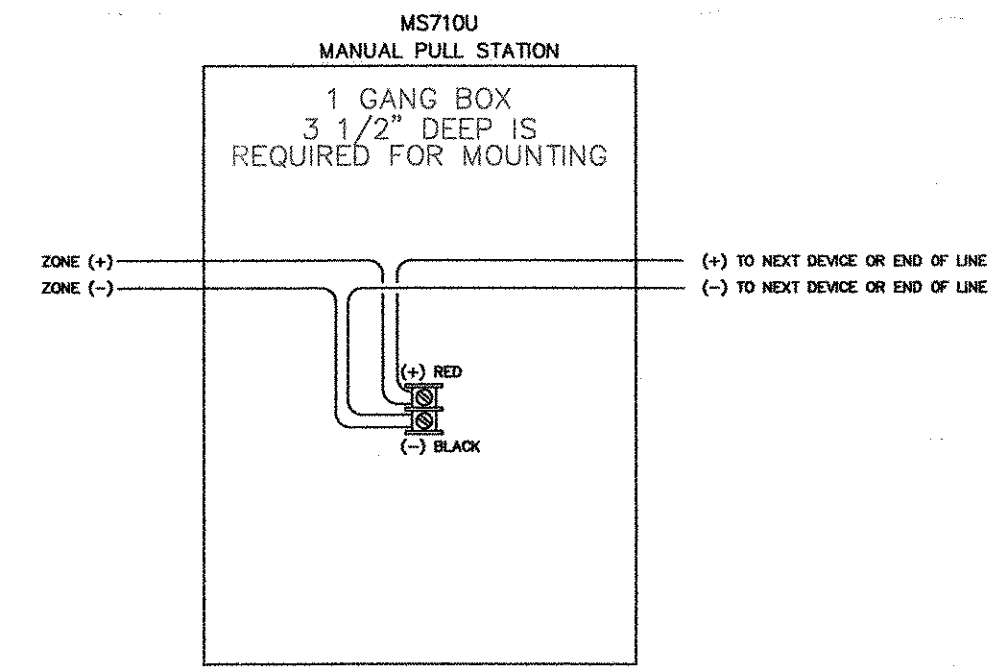
SPECIAL FUNCTIONS

All Wiring to be Class B.

KEY

1 [F] Manual Pull Station
 1 [S] Outdoor Beacon
 1 [S] Horn/Strobe Weatherproof

75 75 Candela
 WP Weatherproof
 Ground



*ROLL BOX FOR TESTING ONLY?
 1L PANEL?*

SIGNAL CIRCUITS

CKT. #	TOTAL LOAD
SIG CKT 1	0.1680
SIG CKT 2	0.3200

WIRE SIZE TO BE DETERMINED BY INSTALLING CONTRACTOR IN FIELD ALL SYSTEM WIRING SHALL BE 16AWG MIN AND 12AWG MAX

PPM Property Protection Monitoring Incorporated
 1-877-794-8344
 Lowell, MA 01854-3126
 24 Hour UL Listed Signal Monitoring

MFA Mammoth Fire Alarms Incorporated
 1-800-895-9808
 Lowell, MA 01854-3126

Scale: None Approved By: M.D. 3-27-07 Drawn By: M.A.D.
 Date: 1/22/07 Revised: 3/23/07 c.d.
 State of Vermont Creamery Bridge
 Guilford Rd. Brattleboro, VT 05301
 A.L. Tyler Electric Drawing No. 140966
 175 Canal St. Brattleboro, VT 05301