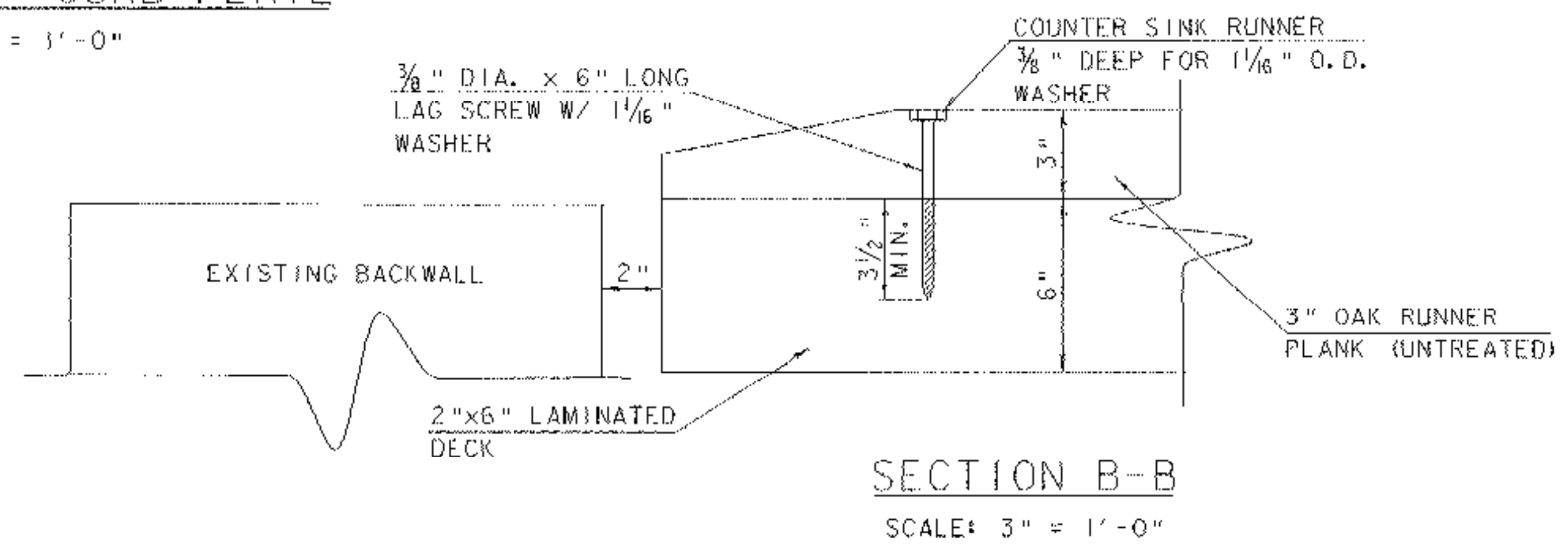
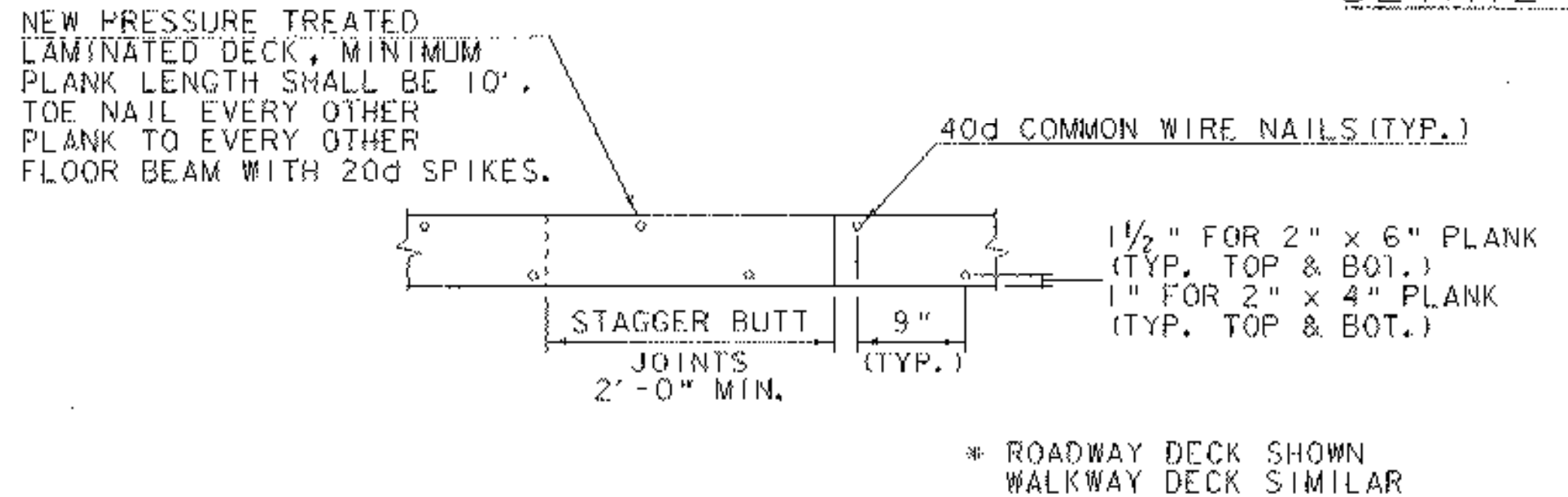
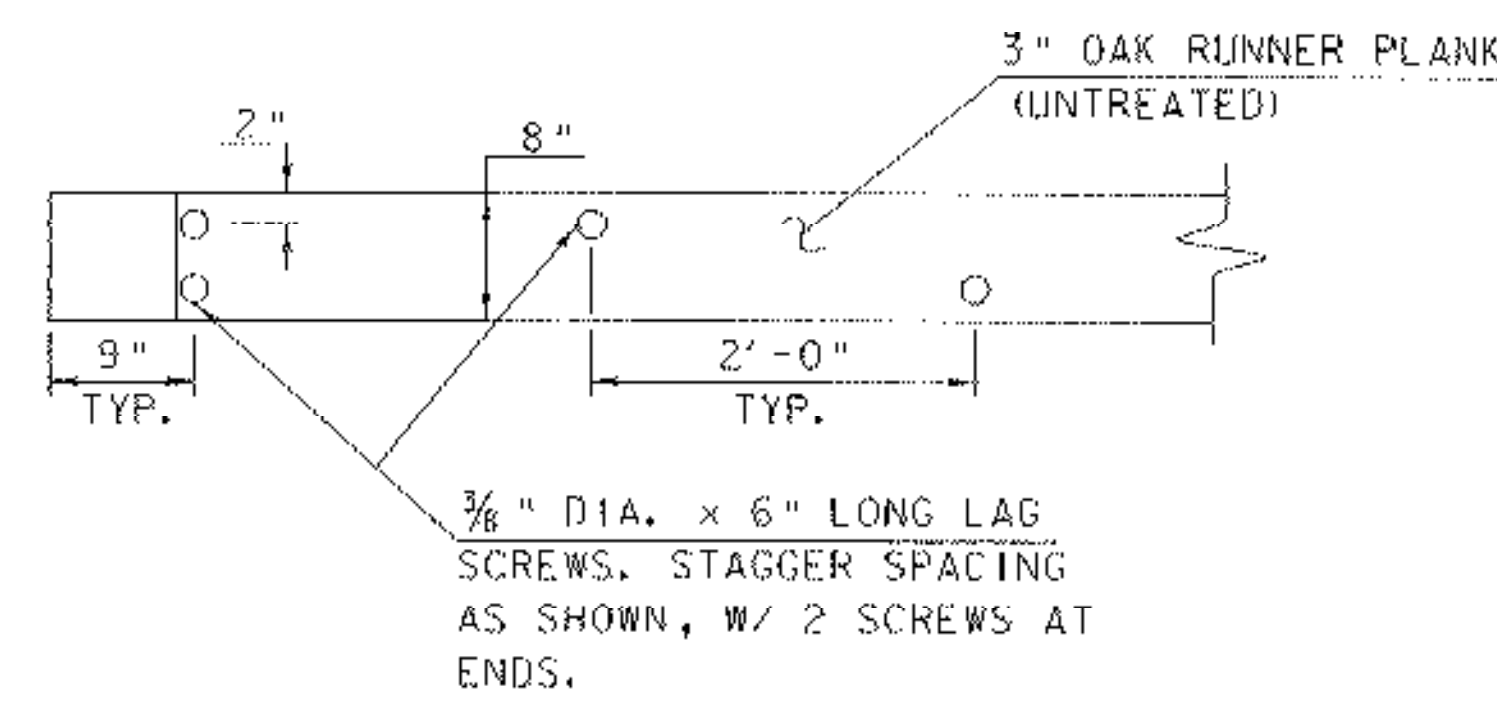
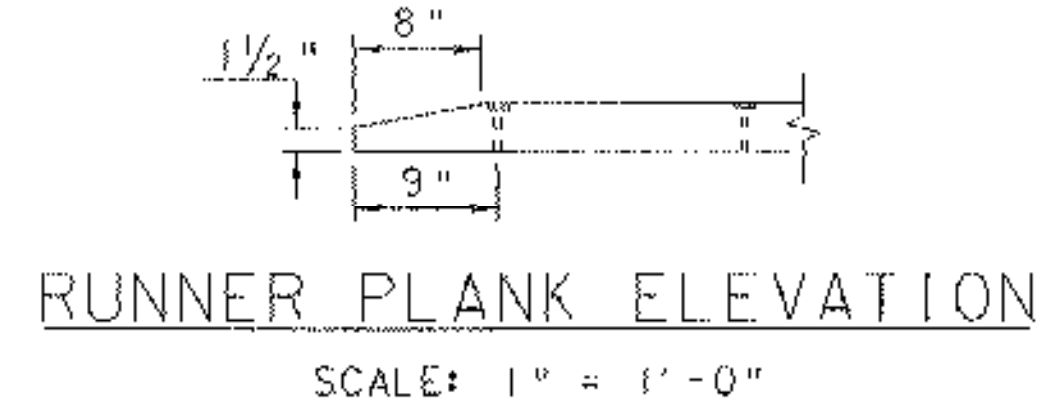
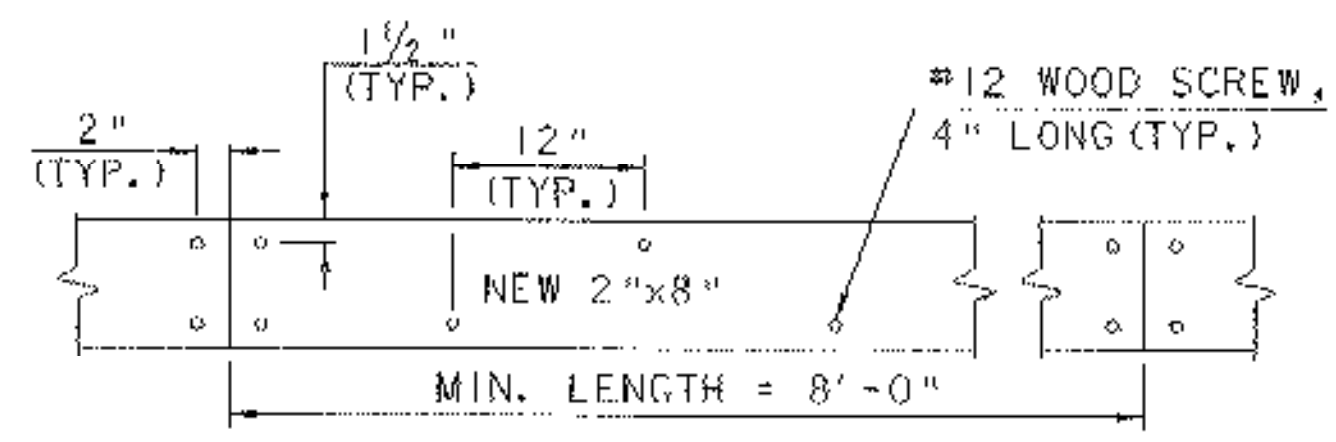
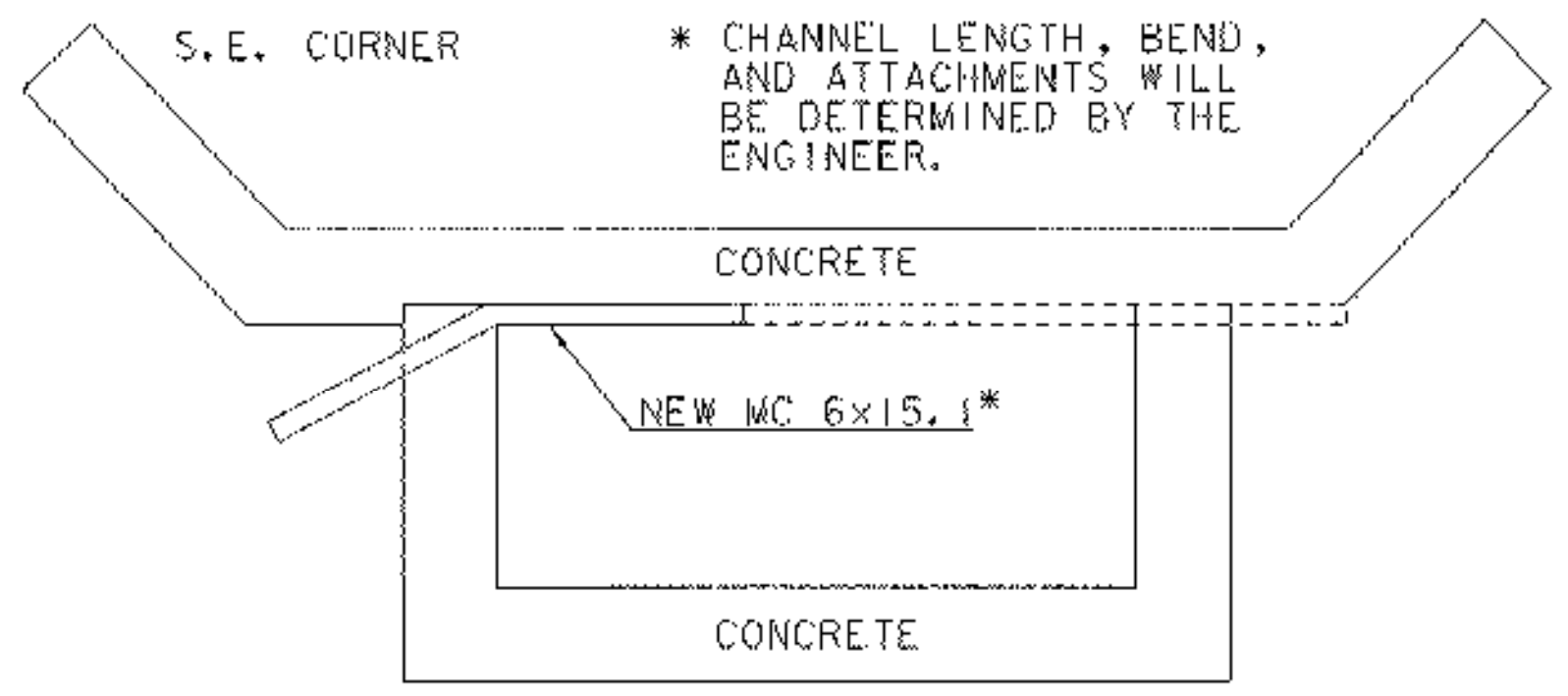
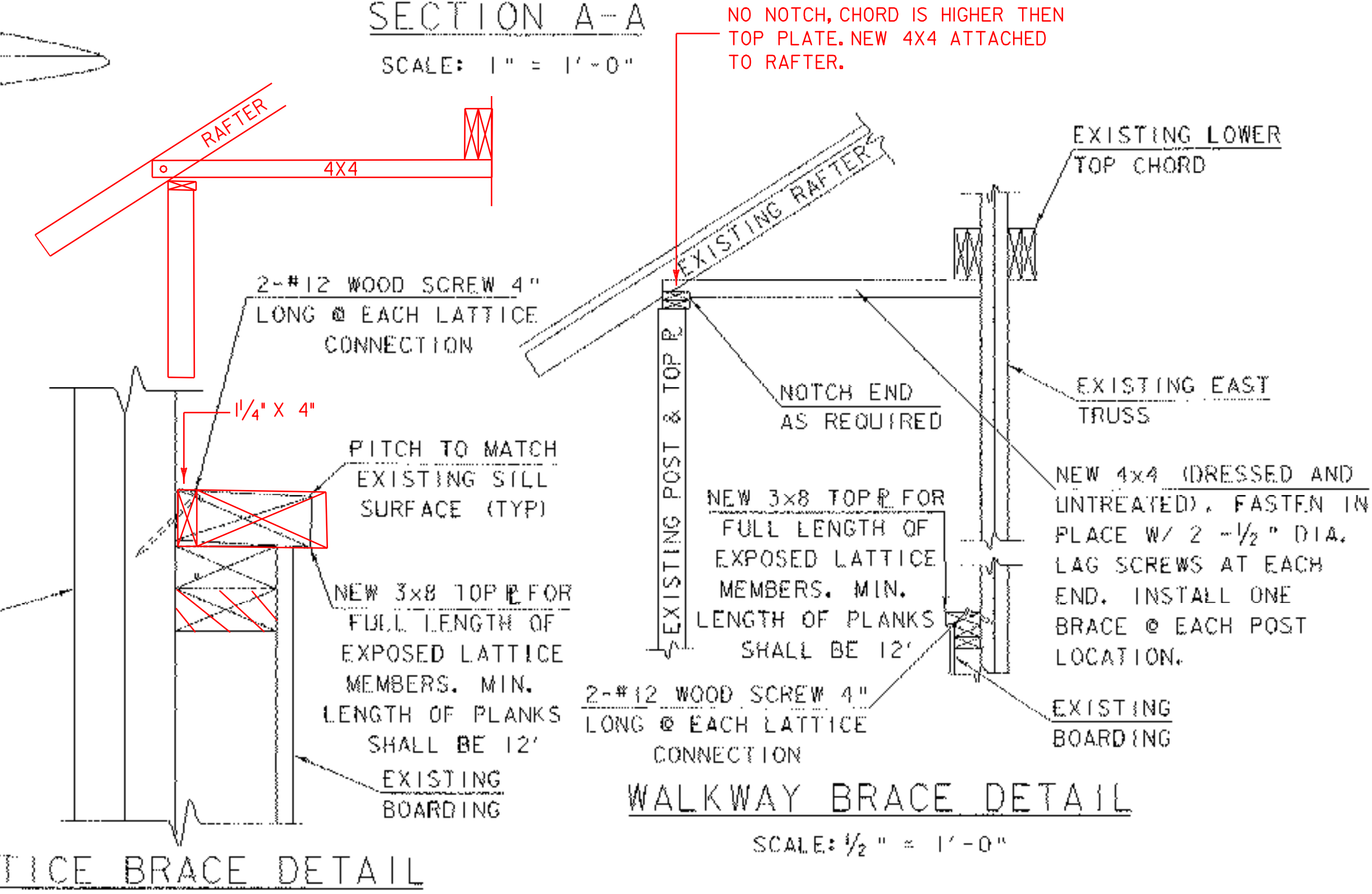
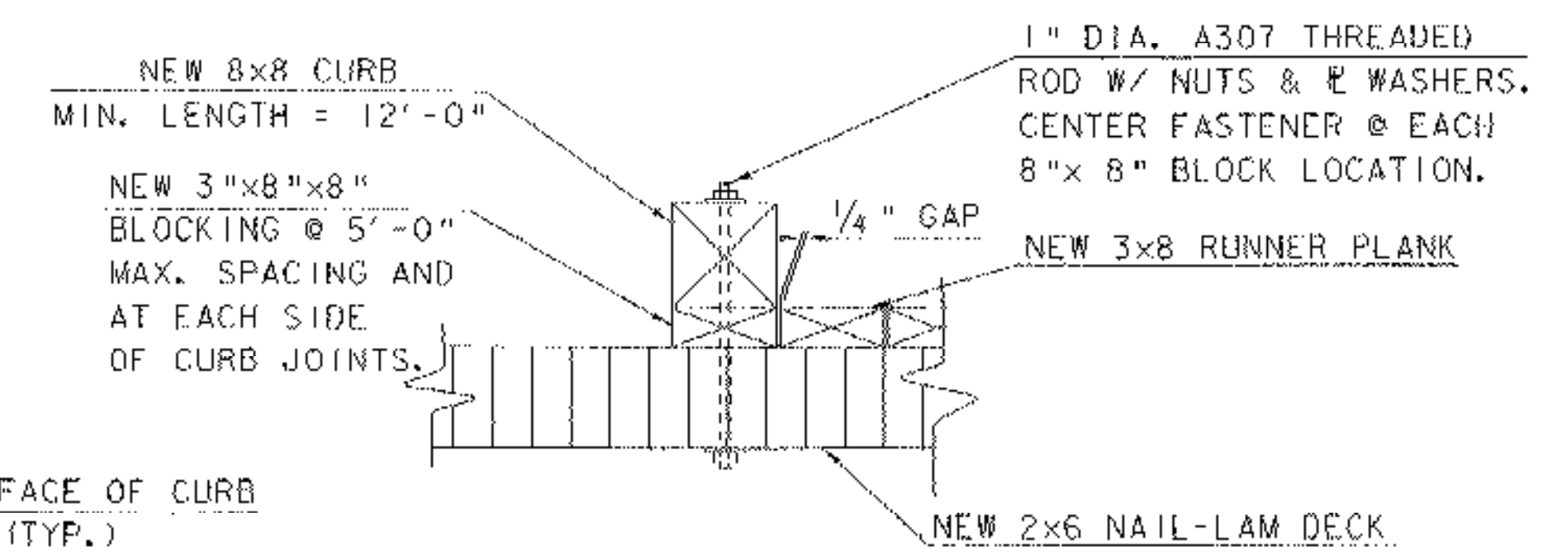
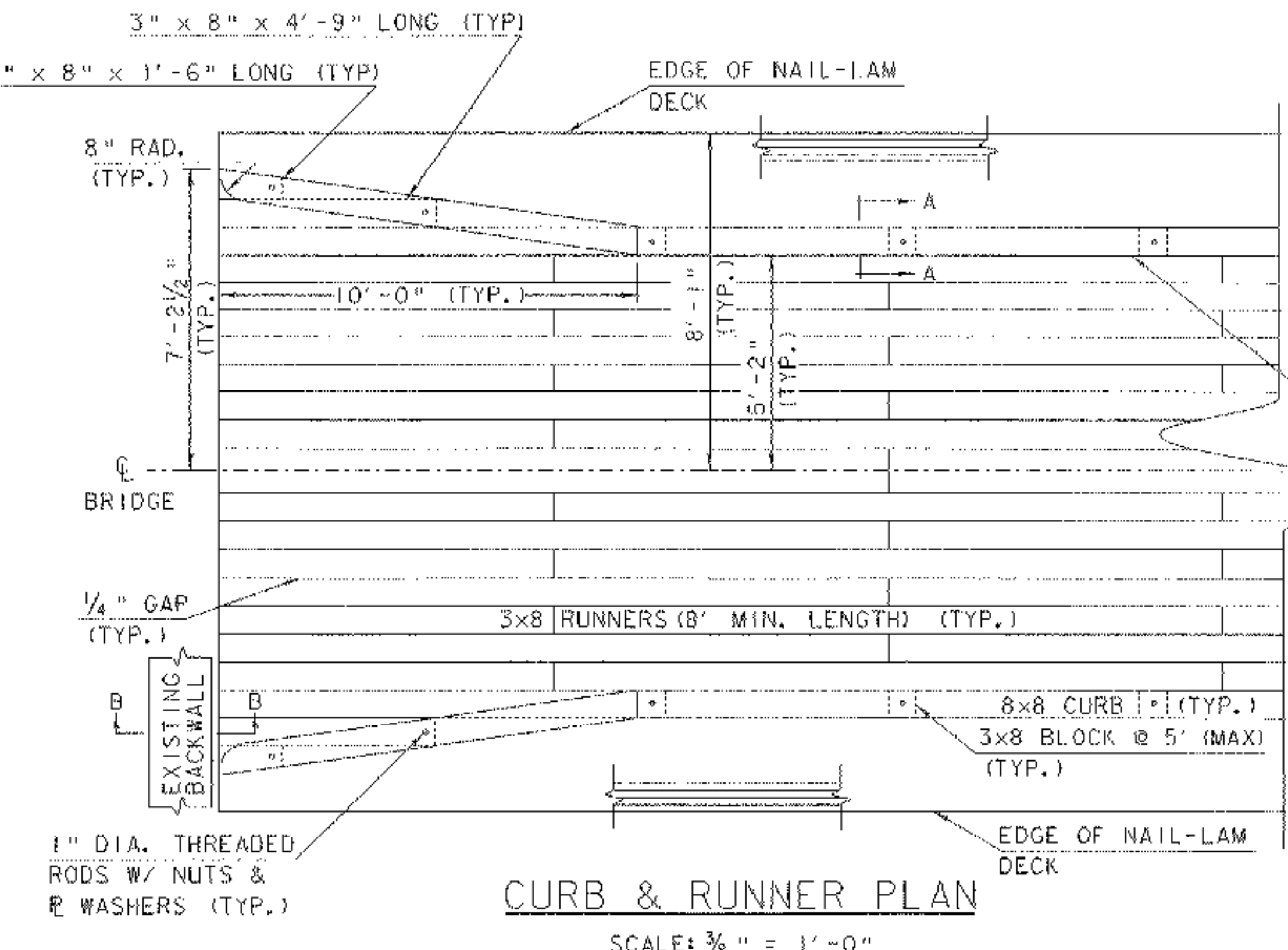


NOTES

- EXCEPT AS NOTED, ALL STRUCTURAL LUMBER AND TIMBER SHALL BE FULL SAWN, ROUGH FINISH, SPRUCE/PINE/FIR STRUCTURAL GRADE NO. 1 OR BETTER. ALL RUNNER PLANKS SHALL BE FULL SAWN ROUGH FINISH, WHITE OAK STRUCTURAL GRADE NO. 3 OR BETTER.
- ALL WOOD DOWELS (TRUNNELS) SHALL BE UNTREATED WHITE OAK, NO. 1 GRADE OR BETTER.
- ALL STRUCTURAL GLUED LAMINATED TIMBER SHALL BE SOUTHERN YELLOW PINE COMBINATION 47.
- EXCEPT AS NOTED, ALL LUMBER AND TIMBER SHALL BE PRESSURE TREATED TO MEET THE REQUIREMENTS OF SUBSECTION 726.01, PRESERVATIVE TYPE IV TREATMENT.
- THE WORK PAID FOR UNDER ITEM 506.60 STRUCTURAL STEEL (MOD.) SHALL INCLUDE:
 - TIE RODS, NUTS, & WASHERS.
 - TURNBUCKLES.
 - DRAIN CHANNEL AND SUPPORTS.
- THE WORK PAID FOR UNDER ITEM 506.60 STRUCTURAL STEEL (MOD.) SHALL EXCLUDE:
 - CONNECTION BOLTS, NUTS AND WASHERS.
 - NAILS, SPIKES, AND LAG SCREWS.
 - CURB THREADED ROD CONNECTORS, NUTS, & WASHERS.
- ALL TURNBUCKLE/ROD ASSEMBLIES SHALL BE SNUG TIGHT OR TIGHTENED AS DIRECTED BY THE ENGINEER.
- ALL STRUCTURAL SHAPES SHALL CONFORM TO ASTM A36/A36M SPECIFICATIONS. ALL STEEL COMPONENTS SHALL BE GALVANIZED PER AASHTO M 111M/M111 OR M 232M/M232, AS APPROPRIATE.
- ALL BOARDING REQUIRED TO PATCH THE SIDING WHICH IS REMOVED TO FACILITATE INSTALLATION OF NEW AND TEMPORARY MEMBERS AND USED IN OTHER AREAS SHALL BE MATERIAL APPROVED BY THE ENGINEER AND PAID FOR UNDER ITEM 522.30 NON-STRUCTURAL LUMBER UNTREATED.
- WITHOUT ADDITIONAL TEMPORARY SUPPORTS AND SHORING IN PLACE, THE CONTRACTOR SHALL BE PROHIBITED FROM MOVING ANY HEAVY (GREATER THAN THREE TONS) EQUIPMENT ACROSS THE BRIDGE SUPERSTRUCTURE.



PROJECT:	BRATTLEBORO	BHO 1442 (33)
DESIGN FILE NAME:		
IPARM FILE NAME:		
DESIGNED BY: J. WEAVER		PLOT DATE: 10-AUG-2006
		DRAWN BY: J. WHITE
		CHECKED BY: J. WEAVER
CONSTRUCTION DETAIL SHEET 2		SHEET: 7 OF 8