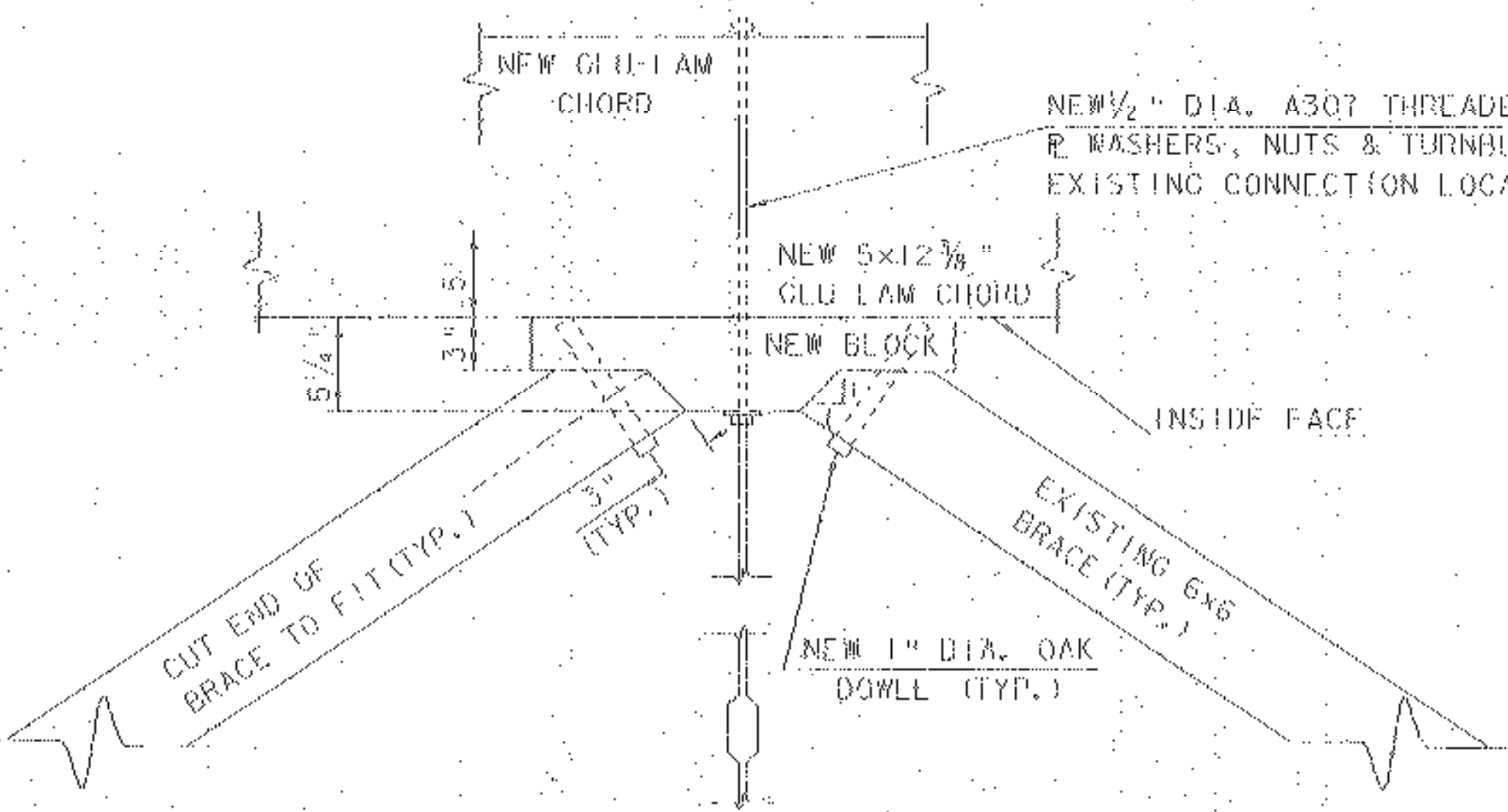


ELEVATION @ LOWER BOTTOM CHORD

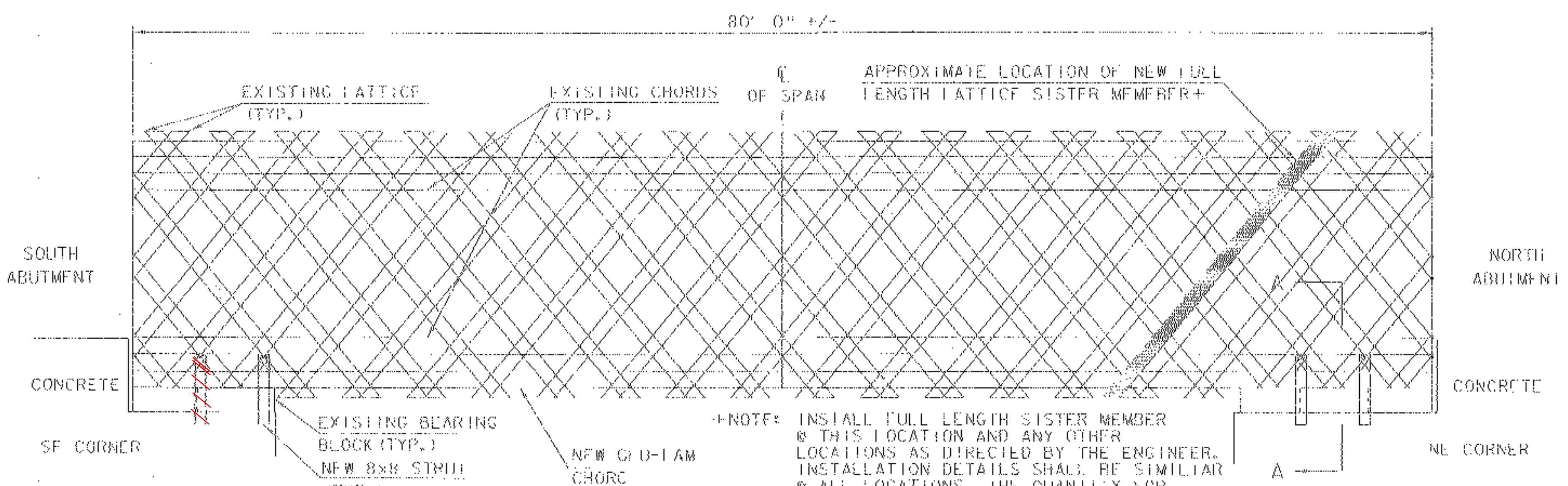
SCALE: 1/2" = 1'-0"



PLAN @ LOWER BOTTOM CHORD

SCALE: 1/2" = 1'-0"

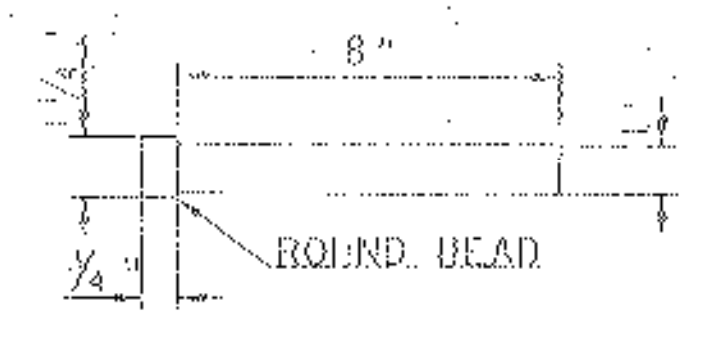
\* NOTE: THE CONTRACTOR SHALL SUBMIT ITS SEQUENCE OF TIGHTENING TO THE ENGINEER FOR APPROVAL.



OUTSIDE ELEVATION EAST TRUSS

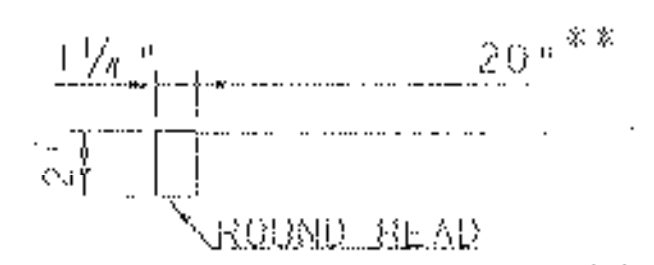
SCALE: 1" = 5'-0"

NOTE: INSTALL FULL LENGTH SISTER MEMBER @ THIS LOCATION AND ANY OTHER LOCATIONS AS DIRECTED BY THE ENGINEER. INSTALLATION DETAILS SHALL BE SIMILAR @ ALL LOCATIONS. THE QUANTITY FOR STRUCTURAL LUMBER AND TIMBER - UNTREATED INCLUDES MATERIAL FOR FIVE FULL LENGTH LATTICE SISTER MEMBERS.



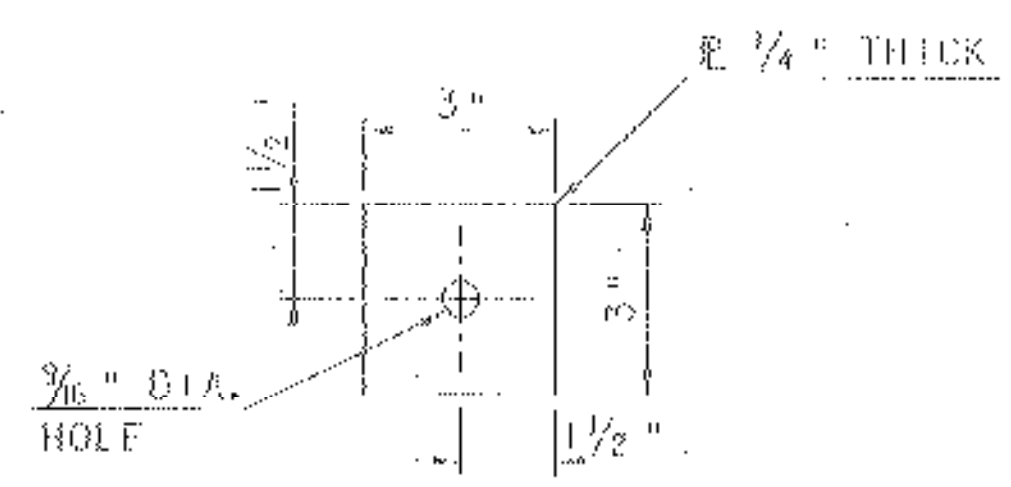
DOWEL DETAIL

N.T.S.



TRUNNEL DETAIL

N.T.S.



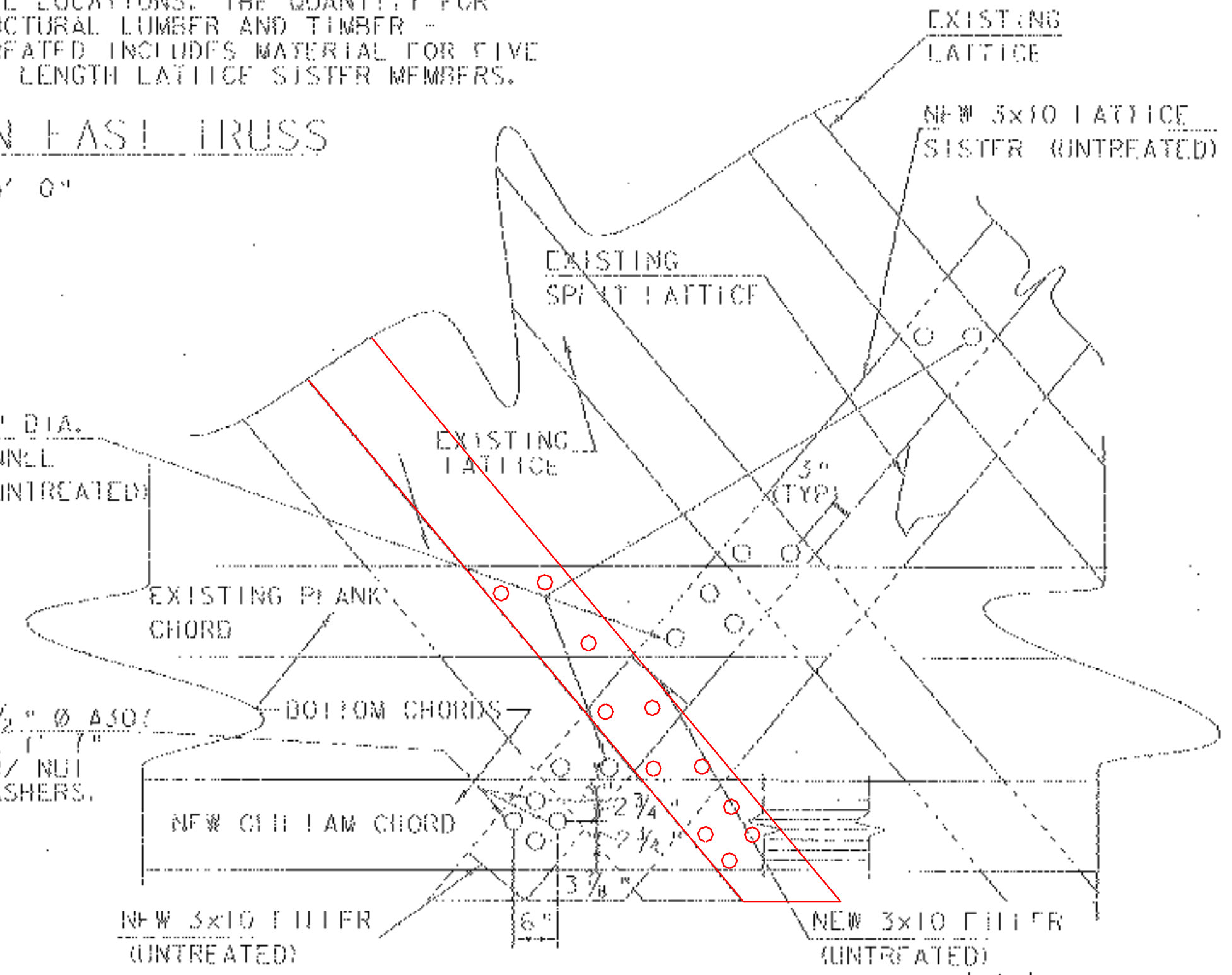
R WASHER DETAIL

N.T.S.

NEW LATTICE SISTER MEMBER AS BOUTRDED. SEE GENERAL NOTE 9 ON SHEET 2 OF B.

NEW 1 1/2" DIA. OAK TRUNNEL (TYP.) (UNTREATED)

NEW 1 1/2" Ø A307 BOLTS, 1' 7" LONG W/ NUT AND WASHERS.



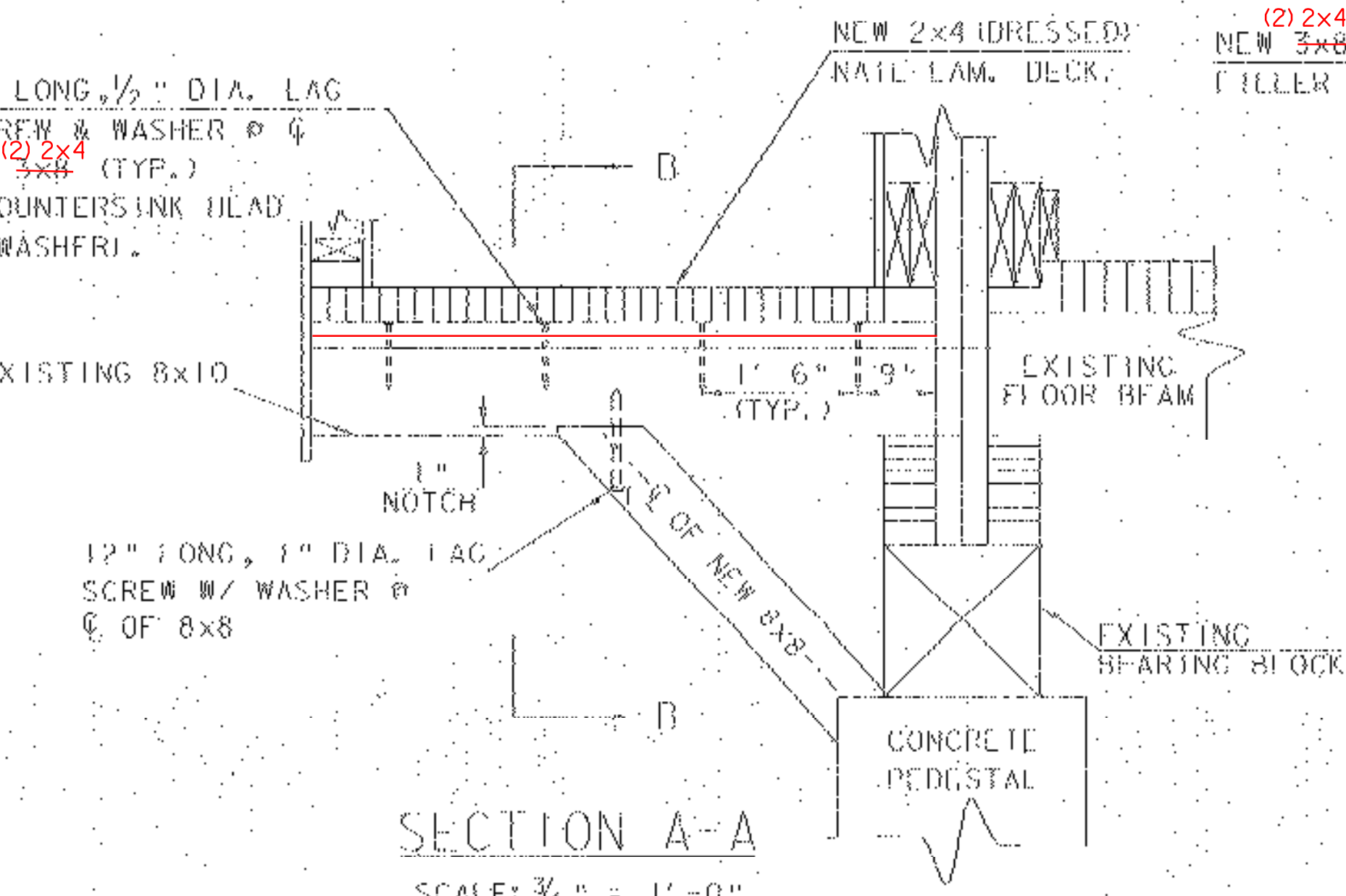
LATTICE SISTER DETAIL

SCALE: 3/4" = 1'-0"

NOTE: VIEW FROM OUTSIDE OF EAST TRUSS. DETAILS FOR PARTIAL LENGTH LATTICE SISTER MEMBERS SHALL BE SIMILAR. PARTIAL LENGTH SISTER MEMBERS SHALL BE INSTALLED AT LOCATIONS AS DIRECTED BY THE ENGINEER. LENGTHS OF PARTIAL SISTER MEMBERS ARE TO BE DETERMINED BY THE ENGINEER AND LIMITED TO 9'-6" +/- TO FACILITATE INSTALLATION.

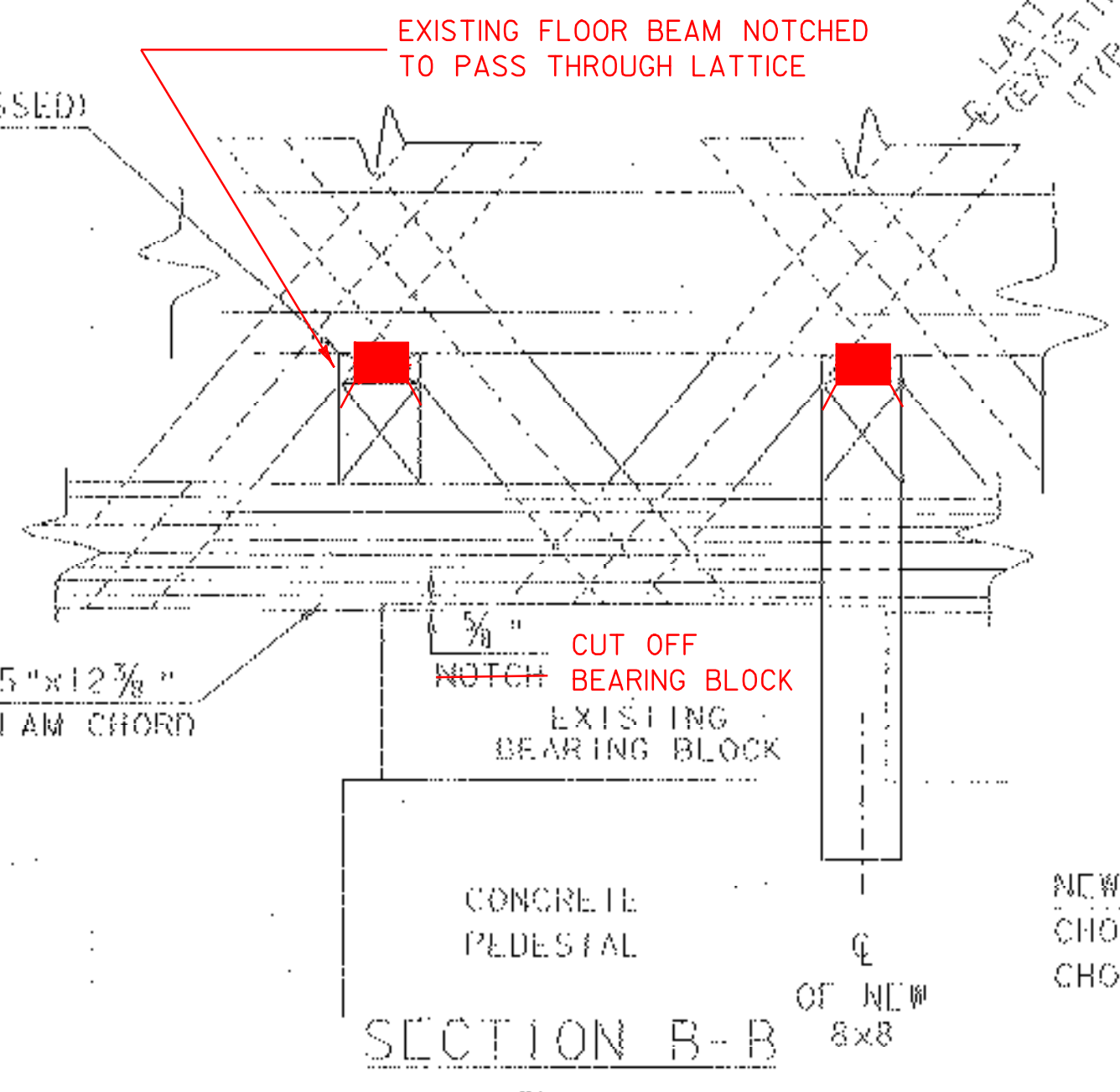
NOTE: A TEMPLATE OR OTHER METHOD MUST BE USED TO LOCATE EXISTING LATTICE HOLES. THE CONTRACTOR SHALL SUBMIT ITS METHOD TO THE ENGINEER FOR APPROVAL FOR CONNECTIONS AT NEW LATTICE SISTER MEMBERS, SEE LATTICE SISTER DETAIL.

SISTER BOTH SIDES OF BAD CONNECTION PER JOHN WEAVER 1/11/07



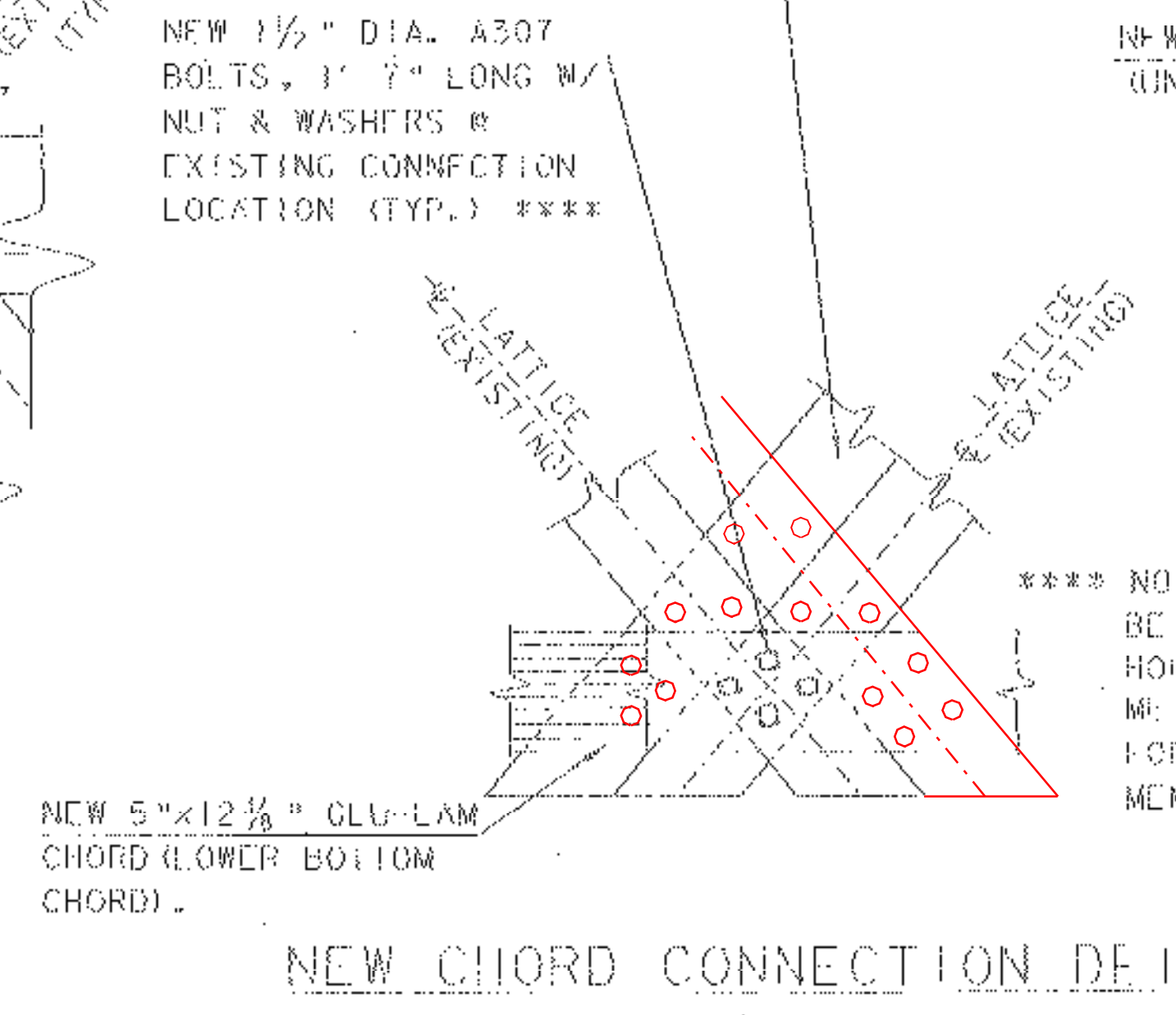
SECTION A-A

SCALE: 3/4" = 1'-0"



SECTION B-B

SCALE: 3/4" = 1'-0"



NEW CHORD CONNECTION DETAIL

SCALE: 3/4" = 1'-0"

PROJECT:	BRATTLEBORO	BHO 1442 (33)
DESIGN FILE NAME:		
IPARM FILE NAME:		
DESIGNED BY:	J. WEAVER	
CONSTRUCTION DETAIL SHEET 1		
PLOT DATE:	10-AUG 2006	
DRAWN BY:	J. WHITE	
CHECKED BY:	J. WEAVER	
SHEET:	6 OF 8	