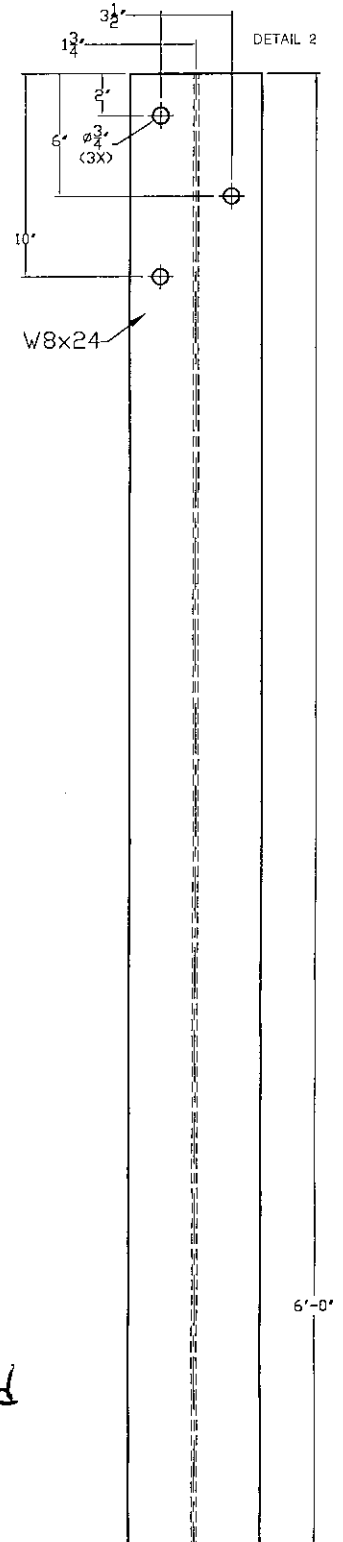
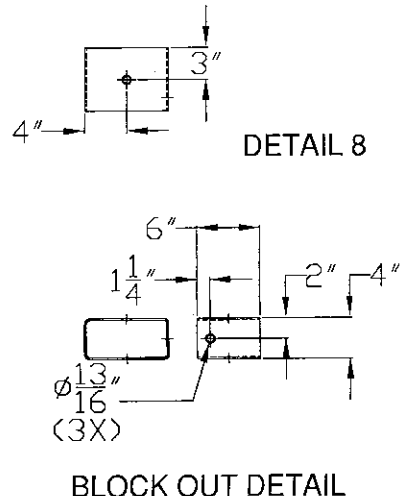


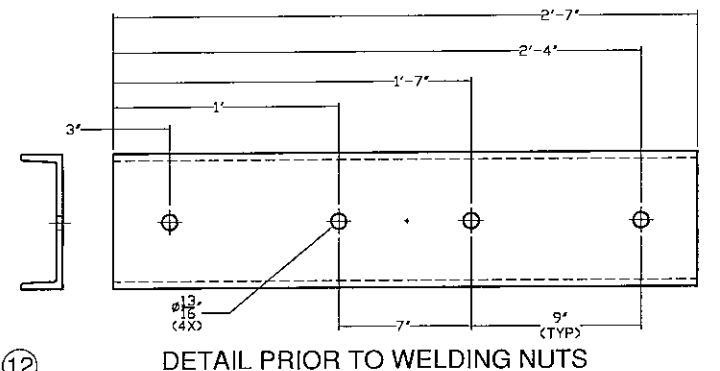
DETAIL 1



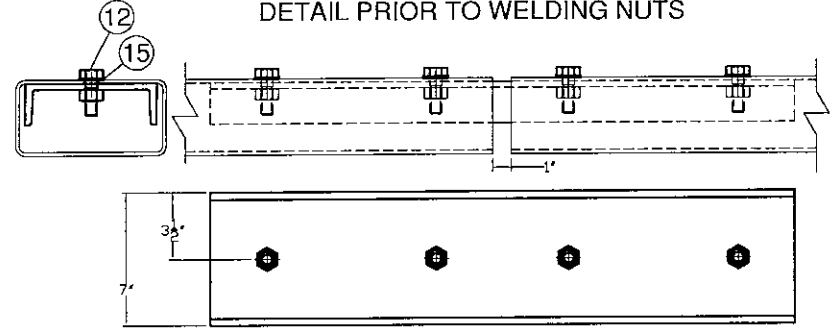
DETAIL 2



DETAIL 8



DETAIL PRIOR TO WELDING NUTS



RECEIVED
 CK'D BY _____ OK'D BY ELC
 JUN 29 2010
 RESUBMIT _____ APPROVED As Noted
 BY CPW DATE 6/30/10

ITEM #: 525.44 BRIDGE RAILING GEN CONTR: F R LaFayette SHEET 2 OF 2

APPROVED BY: _____

BRIDGE RAIL DETAILS SHEET
 WARDBORO, PROJECT # BHF 0114 (5), BRIDGE #11
 TOWN OF WARDBORO, WINDHAM COUNTY, STATE OF VERMONT

R NO.	DATE	DESCRIPTION	BY	R NO.	DATE	DESCRIPTION	BY
E A	6/25/10	REVISED PER 6/24/10 UPDATES	EP	E			
V				V			

ELDERLEE, INC.
 OAKS CORNERS, NEW YORK 14518
 E-Mail: dlong@eldertee.com
 Tel: 315-789-6670 Fax: 315-789-6615

DRAWN E.P. 4/6/10
 CHECKED D.L. 4/6/10
 APPROVED
 SCALE SCHEMATIC
 DRAWING NO. F R LAFAYETTE EM10-004