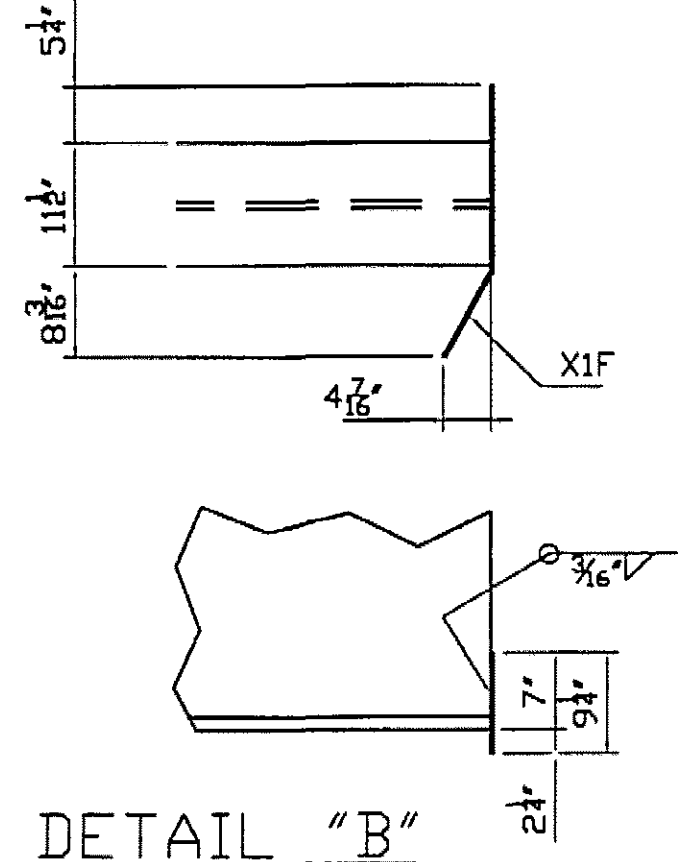
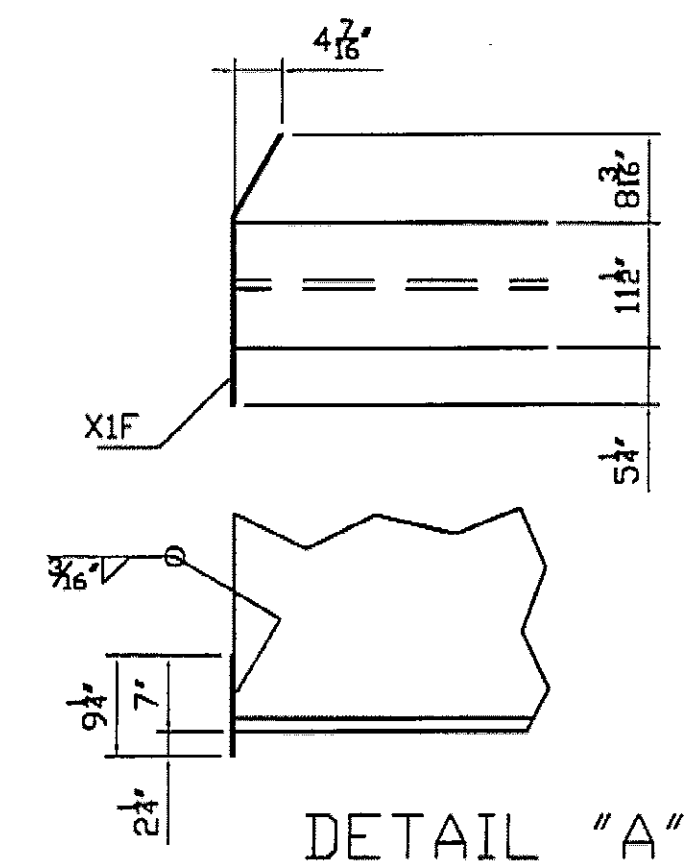


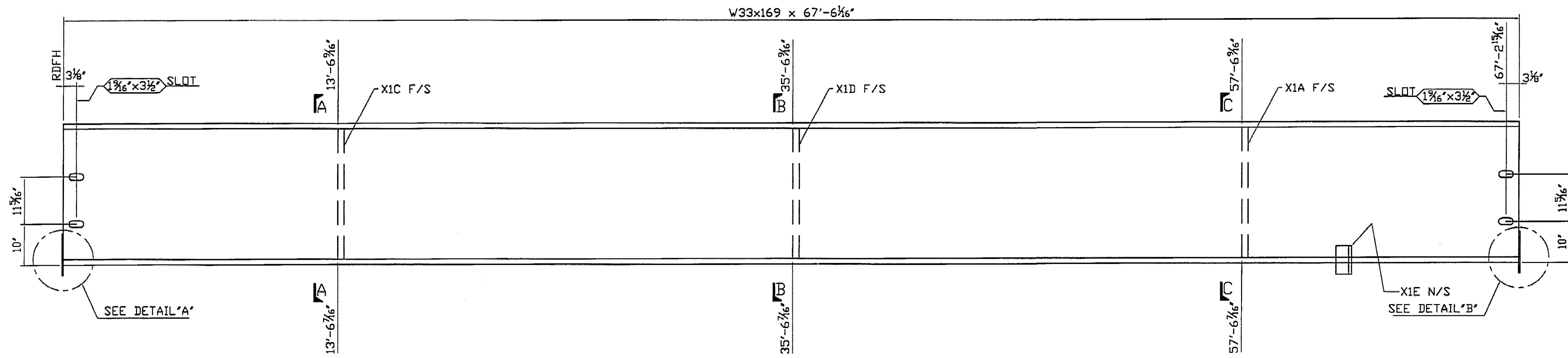
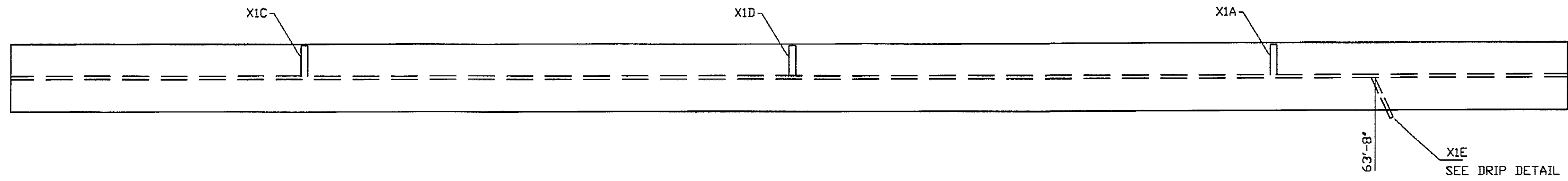
△ TYP. CONN. GUSSET WELD DETAIL



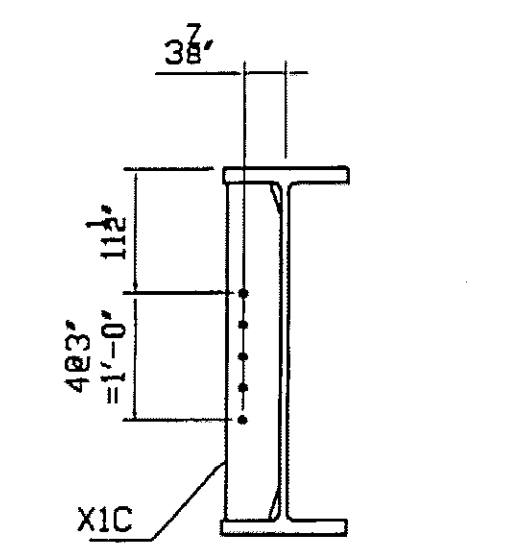
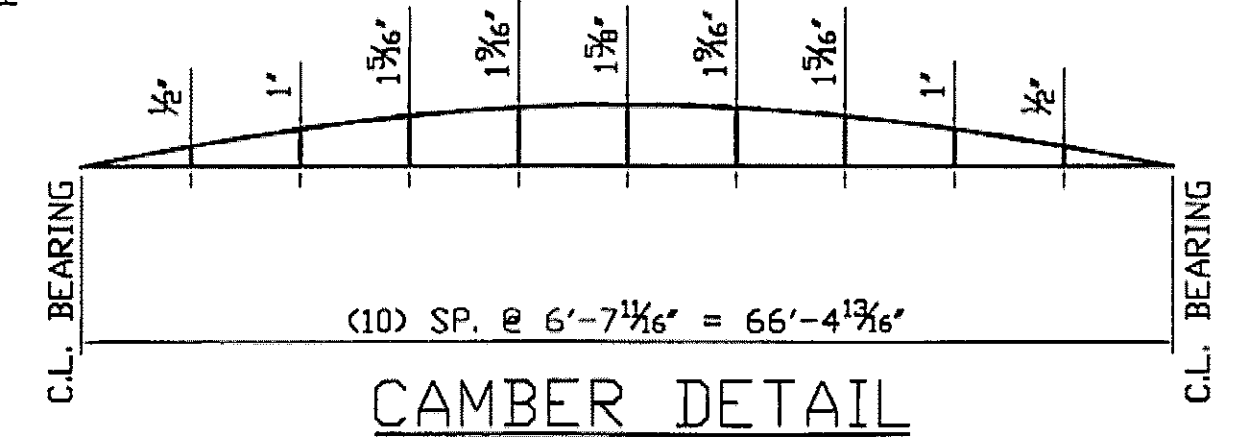
DETAIL "A"

DETAIL "B"

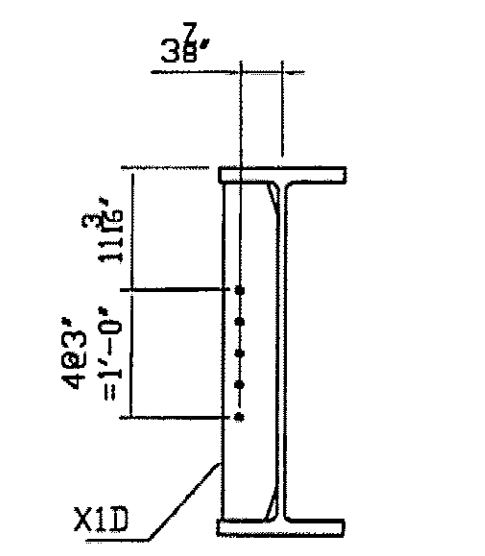
SHIPPER		BILL OF MATERIAL					
NO.	MARK	NO.	MARK	SIZE	LENGTH	REMARKS	WEIGHT
1	4A			W33x169	67'-6 1/8"	CVN (T)	11,408.38
		1	X1A	PL 1/2 x 5	2'-7 3/8"		22.24
		1	X1C	PL 1/2 x 5	2'-7 3/8"		22.24
		1	X1D	PL 1/2 x 5	2'-7 3/8"		22.24
		1	X1E	PL 1/4 x 3 1/2	0'-9"		2.07
		2	X1F	PL 1/4 x 9 1/2	2'-2 1/8"		34.26



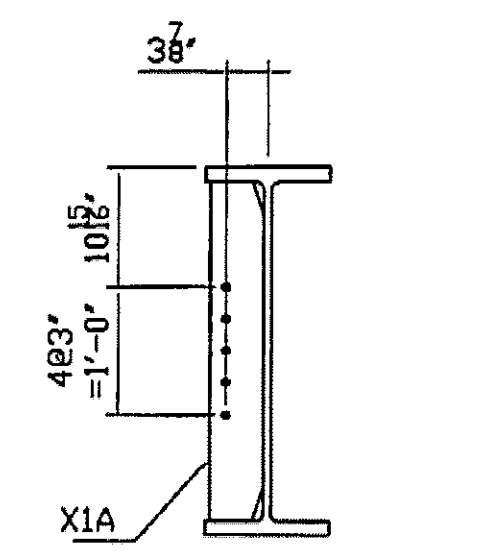
4A ~ GIRDER DETAIL ~ ONE REQ'D



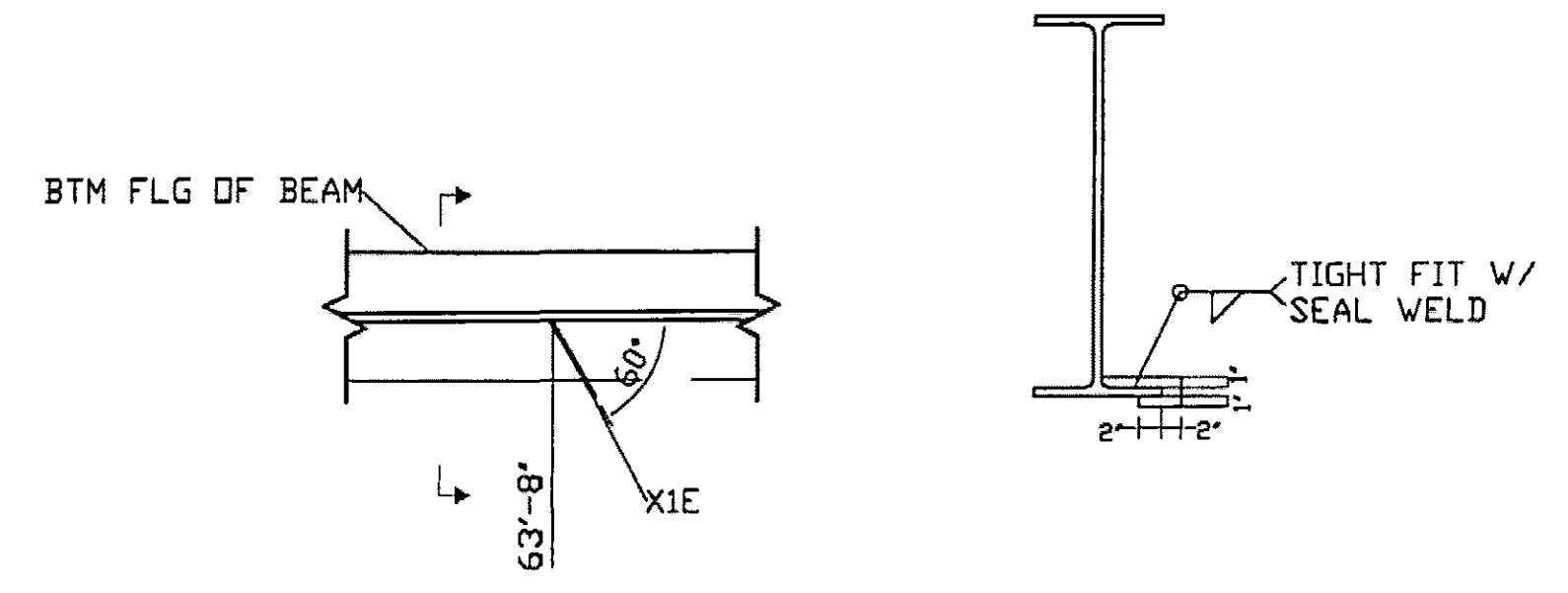
SECTION A-A



SECTION B-B



SECTION C-C



△ PLAN DRIP PLATE

**SHOP NOTES**  
 HOLES 15/16" Ø (U.N.)  
 BOLTS NONE  
 PAINT NONE  
 WELDS TO BE MADE USING ER80-NiL ELECTRODES  
 MATERIAL M270 Gr.50W

REV. NO.	DATE	APPROVER COMMENTS	REVISION
1	4/11/10		

**GIRDER DETAILS**  
 ROUTE TH 1 (FAS 0114) TOWN OF WARDSBORO  
 PROJECT NO.: BHF 0114(S) COUNTY OF WINDHAM

**FOSTER • PRECISE**  
 3 FARM LANE GEORGETOWN, MA 01833  
 978-352-2591 FAX 978-352-2182

OWNER: VT AOT  
 CONTRACTOR: B.U.R. CONSTRUCTION

DRAWN BY	CHECKED BY	JOB NO.	SHEET NO.
KC	WL	3525	4
02/22/10	02/26/10		