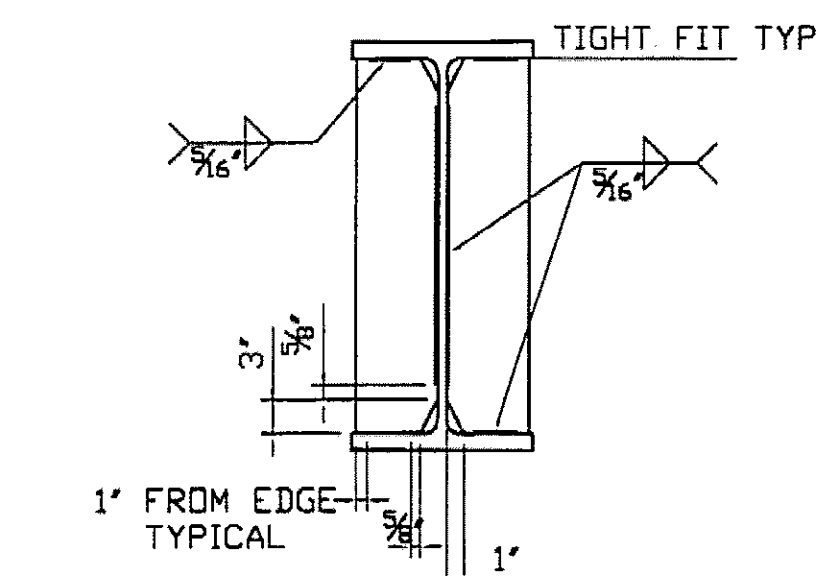
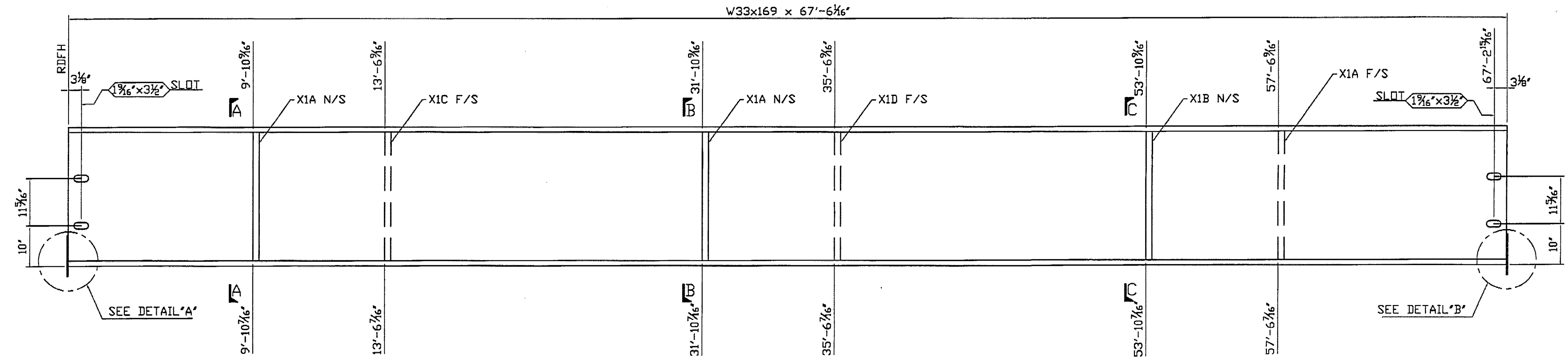
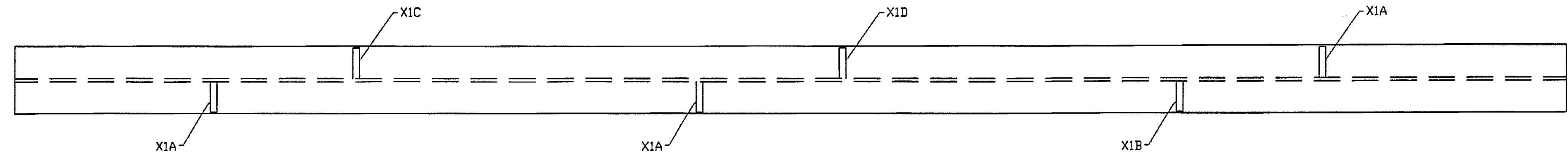
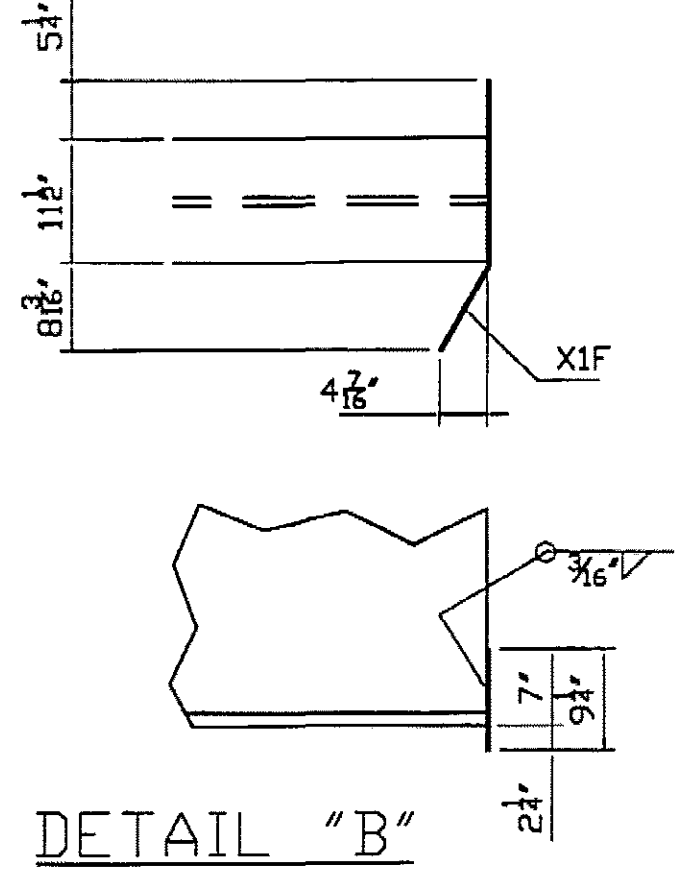
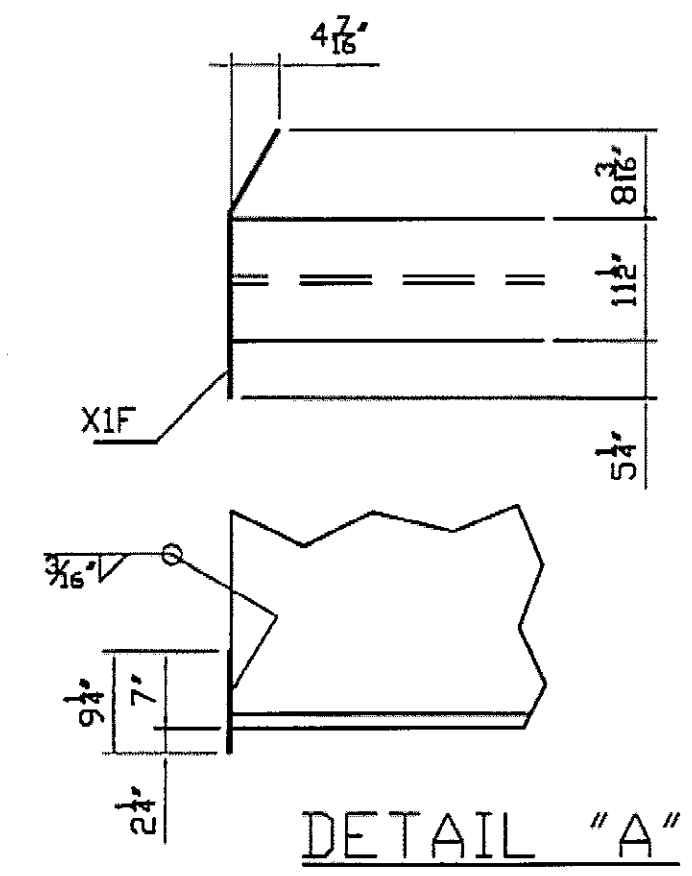


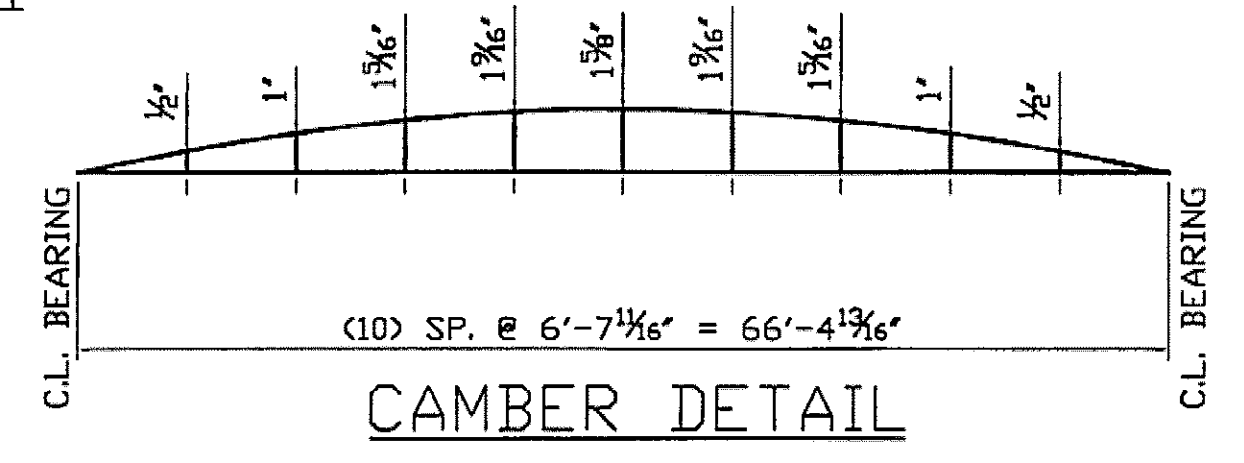
SHIPPER		BILL OF MATERIAL					
NO.	MARK	NO.	MARK	SIZE	LENGTH	REMARKS	WEIGHT
1	2A			W33x169	67'-6 $\frac{1}{8}$ "	CVN (T)	11,408.38
		3	X1A	PL $\frac{1}{2}$ x5	2'-7 $\frac{3}{8}$ "		66.73
		1	X1B	PL $\frac{1}{2}$ x5	2'-7 $\frac{3}{8}$ "		22.24
		1	X1C	PL $\frac{1}{2}$ x5	2'-7 $\frac{3}{8}$ "		22.24
		1	X1D	PL $\frac{1}{2}$ x5	2'-7 $\frac{3}{8}$ "		22.24
		2	X1F	PL $\frac{1}{2}$ x9 $\frac{1}{4}$	2'-2 $\frac{1}{8}$ "		34.26



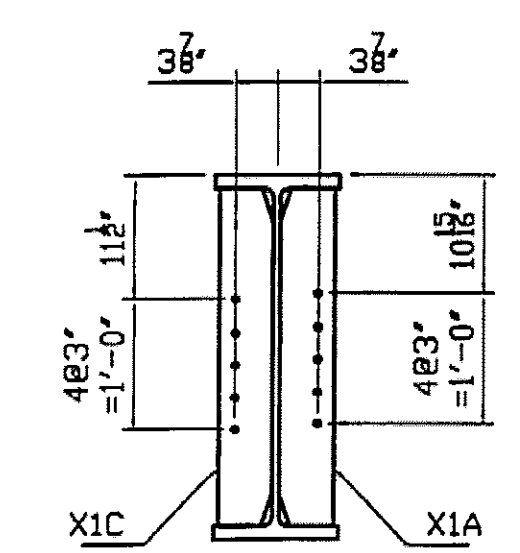
△ TYP. CONN. GUSSET WELD DETAIL



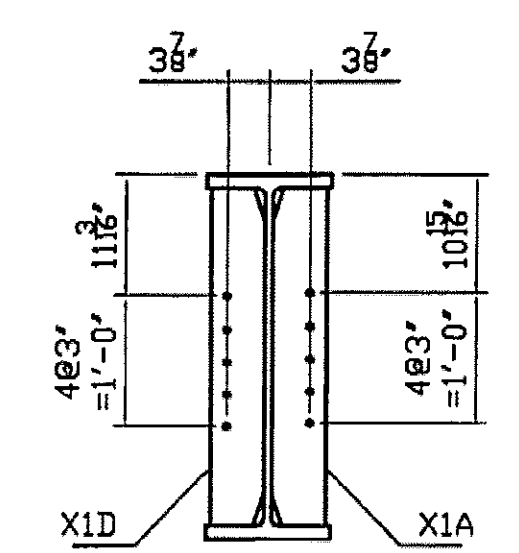
2A ~ GIRDER DETAIL ~ ONE REQ'D



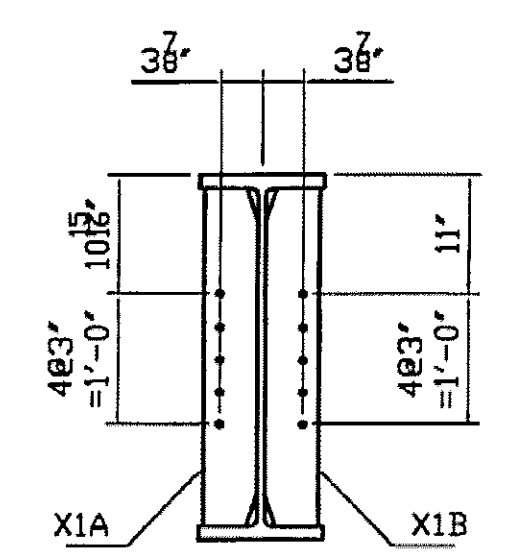
ELC
CPW 4/19/10



SECTION A-A



SECTION B-B



SECTION C-C

SHOP NOTES
 HOLES 15/16" Ø (U.N.)
 BOLTS NONE
 PAINT NONE
 WELDS TO BE MADE USING ER80-NiL ELECTRODES
 MATERIAL M270 Gr.50W

REV. NO.	DATE	APPROVER COMMENTS	REVISION
1	4/19/10		

GIRDER DETAILS
 ROUTE TH 1 (FAS 0114) TOWN OF WARDBORO
 PROJECT NO.: BHF 0114(5) COUNTY OF WINDHAM

FOSTER • PRECISE
 3 FARM LANE GEORGETOWN, MA 01833
 978-352-2591 FAX 978-352-2182

OWNER: VT AOT
 CONTRACTOR: B.U.R. CONSTRUCTION

DRAWN BY	CHECKED BY	JOB NO.	SHEET NO.
KC	WL	3525	2
02/22/10	02/26/10		