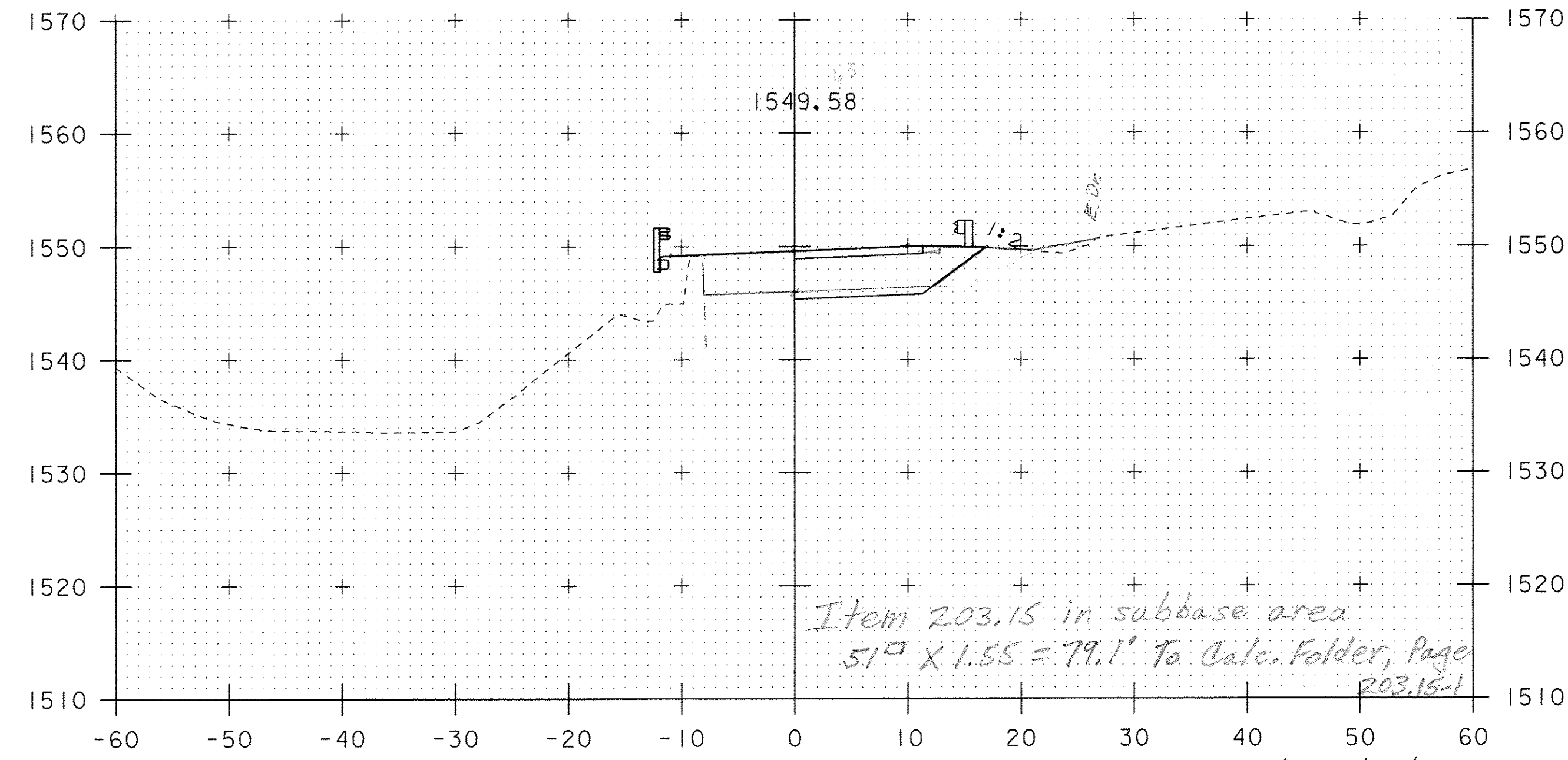
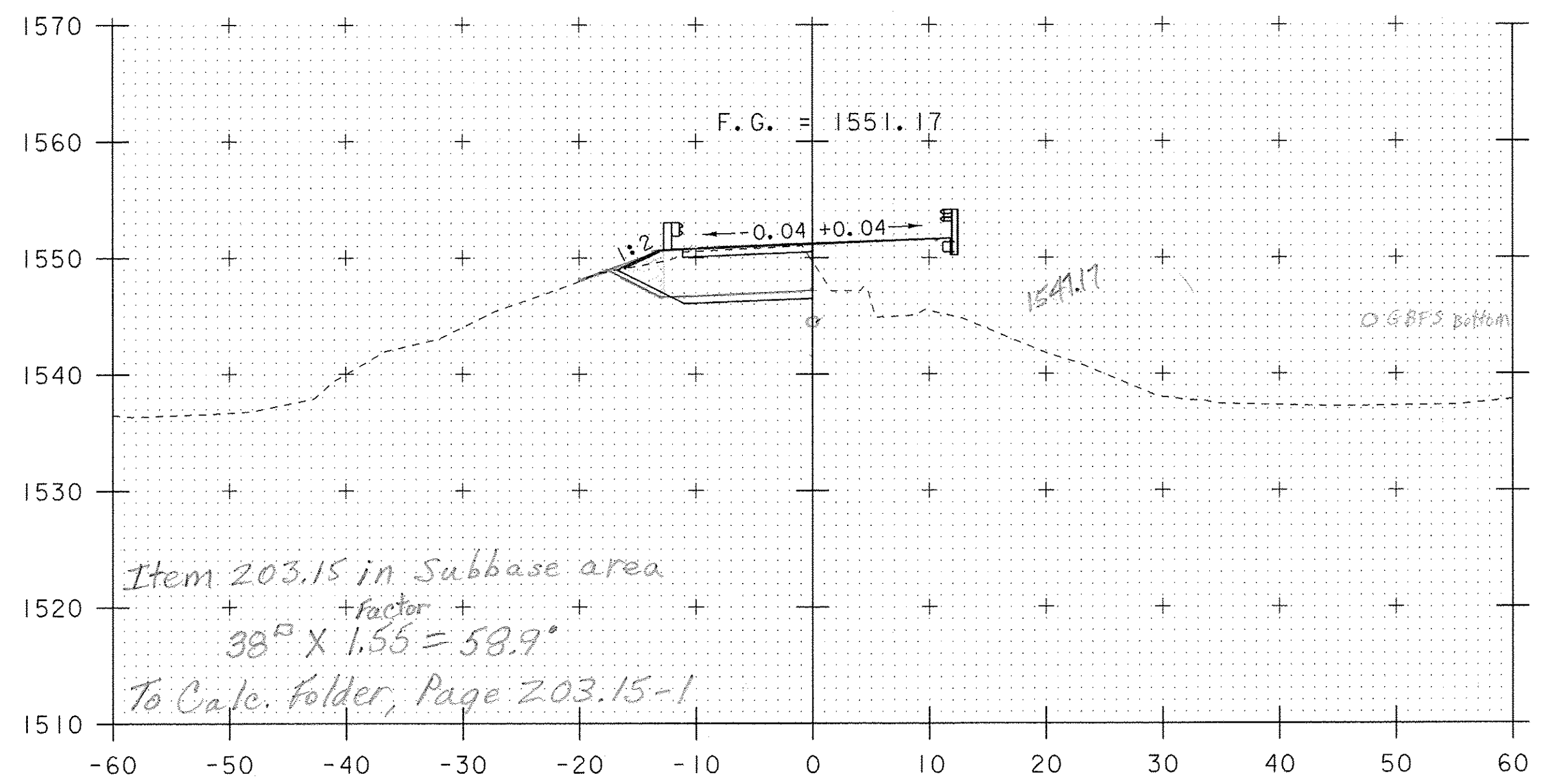


11+25



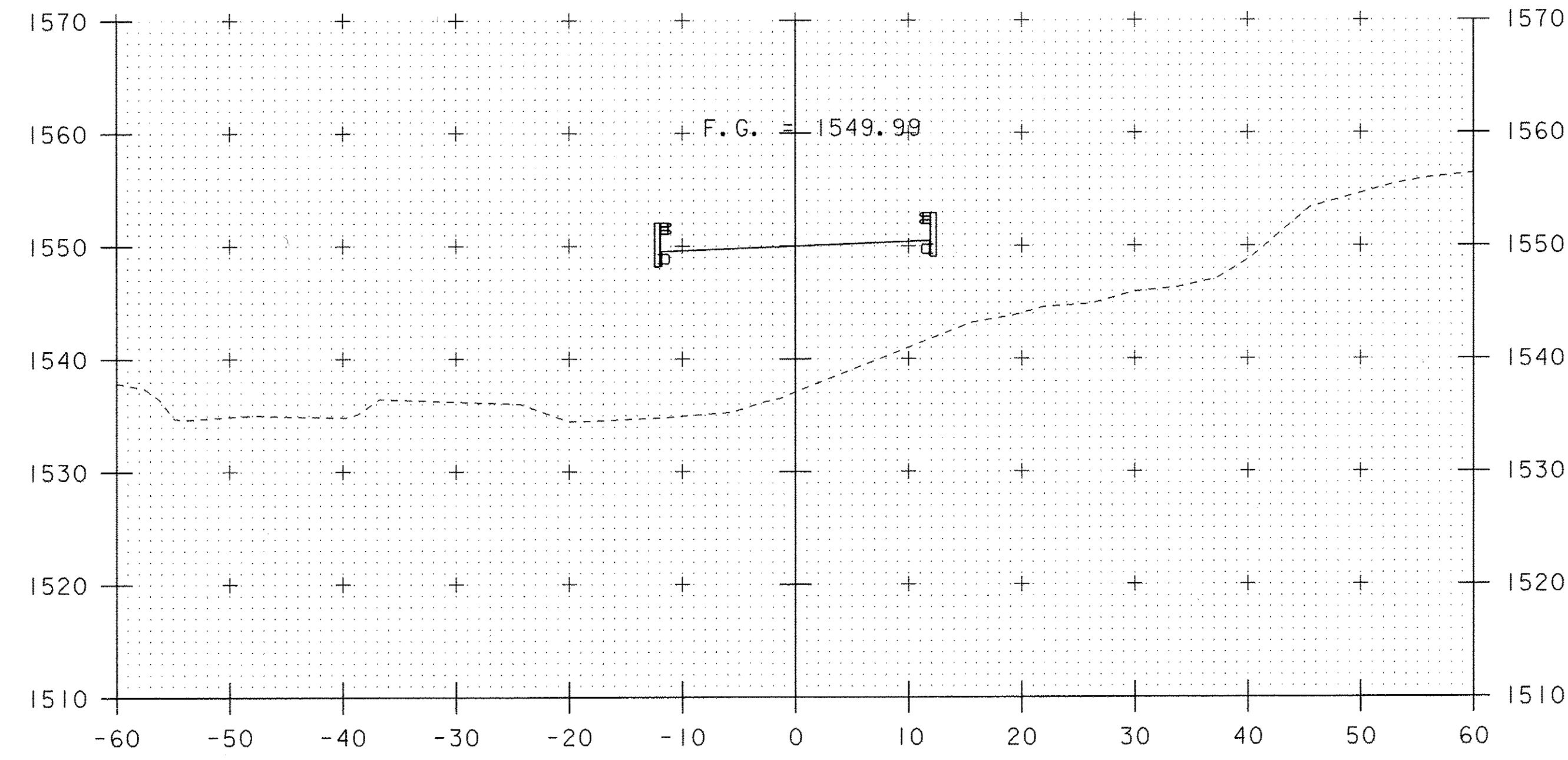
11+75

END PROJECT / BRIDGE
STA 11+68.83



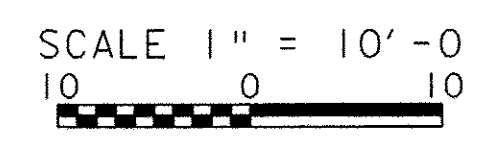
11+00

BEGIN PROJECT / BRIDGE
STA 11+00



11+50

STA. 11+00 TO STA. 11+75



PROJECT NAME:	WARDSBORO	PLOT DATE:	17-NOV-2009
PROJECT NUMBER:	BHF 0114(5)	DRAWN BY:	M.FESSEL
FILE NAME:	s05j006xsl.dgn	CHECKED BY:	E.Charbonneau
PROJECT LEADER:	C.P.WILLIAMS	SHEET	30 OF 33
DESIGNED BY:	E.Charbonneau	MAINLINE CROSS SECTIONS	2