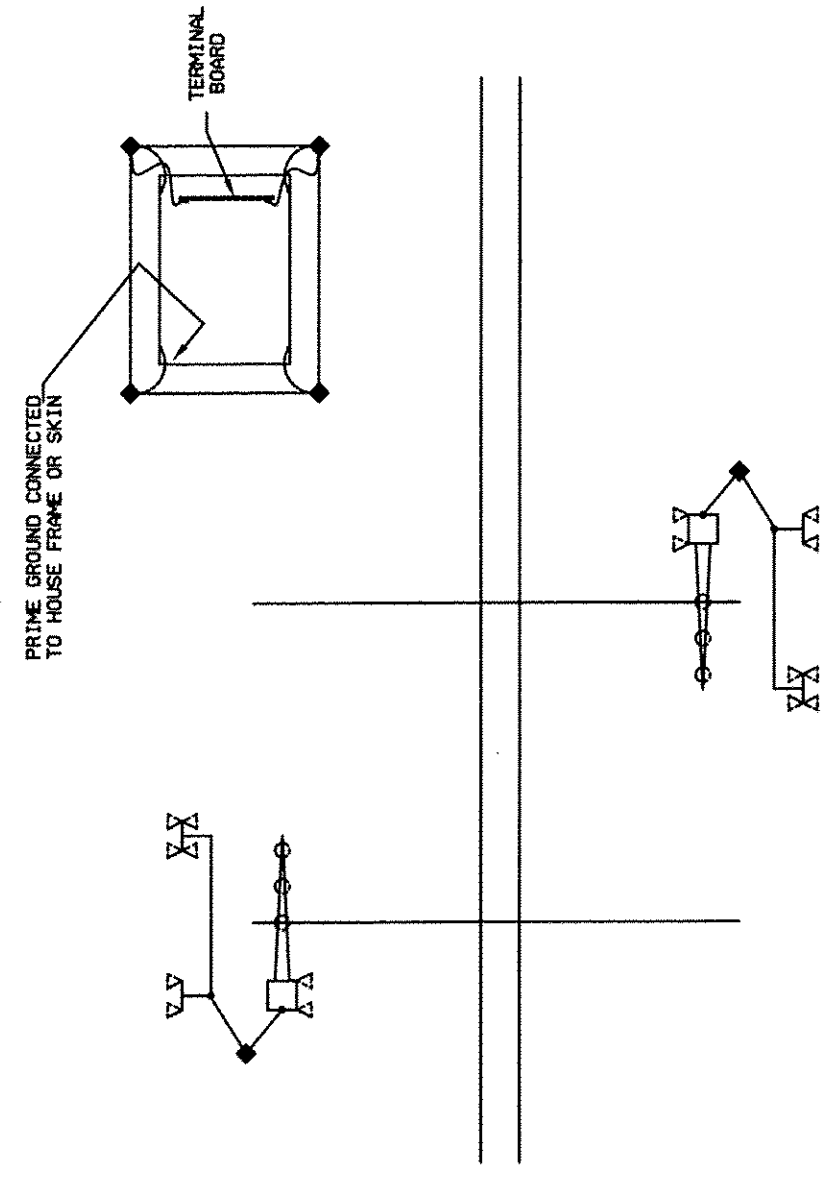
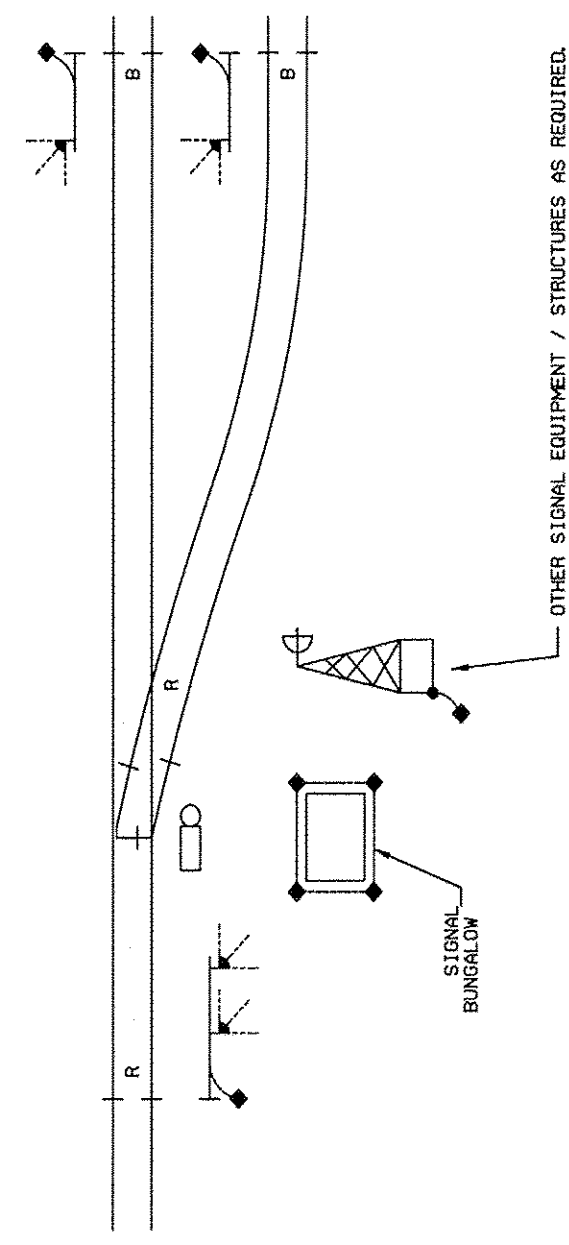


TYPICAL CROSSING LOCATION GROUNDING SCHEME



TYPICAL SIGNAL LOCATION GROUNDING SCHEME



KEY:

- ◇ GROUND ROD CONNECTION
- GROUND ROD
- GROUND WIRE (L.E. AND SOLID BASE CABLE)

R RAILAMERICA, INC.

APPROVED: WALTER FITZHAN
DIRECTOR OF SIGNALS
AND COMMUNICATIONS
DATE: 02-16-04

TYPICAL GROUNDING
PROCEDURES

DRAWING NUMBER
RA-IS-002
SHEET 3 OF 3