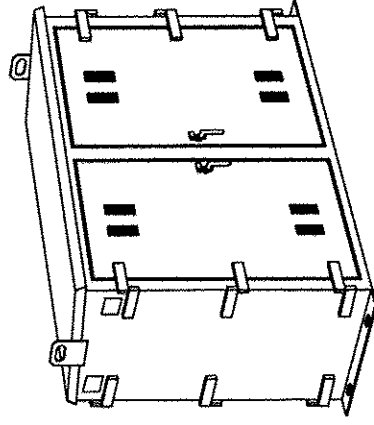


INTRUMENT CASE
STANDARD DOUBLE HIGH



GENERAL SPECIFICATIONS

- 1) INSTRUMENT CASE SHALL BE CONSTRUCTED OF MINIMUM 0.100" ALUMINUM.
- 2) INSTRUMENT CASE SHALL BE PROVIDED WITH A REMOVABLE TERMINAL BOARD, REMOVABLE RELAY RACK AND TERMINAL BOARD SECTION. STANDARD SHIPPING WEIGHT SHALL BE 15 LBS. THE RELAY RACK INSTALLED ON THE LEFT SIDE REFER TO SHEET 2.
- 3) INSTRUMENT CASE TO INCLUDE L21 GROUND CONNECTIONS UNDERNEATH ON CENTER BASE STRUCTURAL SCREWS WITH GROUND WIRE ORIENTATION DURING SHIPPING. WIRE COILES AND PROTECTED TO PRESENT DAMAGE.
- 4) INSTRUMENT CASE TO INCLUDE (6) 4-5/16" DIA. KNOCKOUTS IN FLOOR BEHIND (4) 4" DIA. PVC PIPE 36" LONG WITH PLUMBERS CONNECTOR WITH 2" THREADS AND LOCK RINGS.
- 5) INSTRUMENT CASE TO BE PAINTED WITH TWO COATS OF WHITE LATEX ENAMEL. ANTI-STATIC PART #A392 OR EQUAL.
- 6) EXTERIOR - NATURAL ALUMINUM - NO FINISH.
- 7) INSTRUMENT CASE TO BE INSULATED WITH 1 INCH URETHAN.

R RAILAMERICA, INC.

APPROVED: WALTER FITHIAN
DIRECTOR OF SIGNALS
AND COMMUNICATIONS
DATE: 02-18-04

DRAWING NUMBER
RA-MS-021
SHEET 1 OF 3

INTRUMENT CASE
STANDARD DOUBLE HIGH
SPECIFICATIONS