

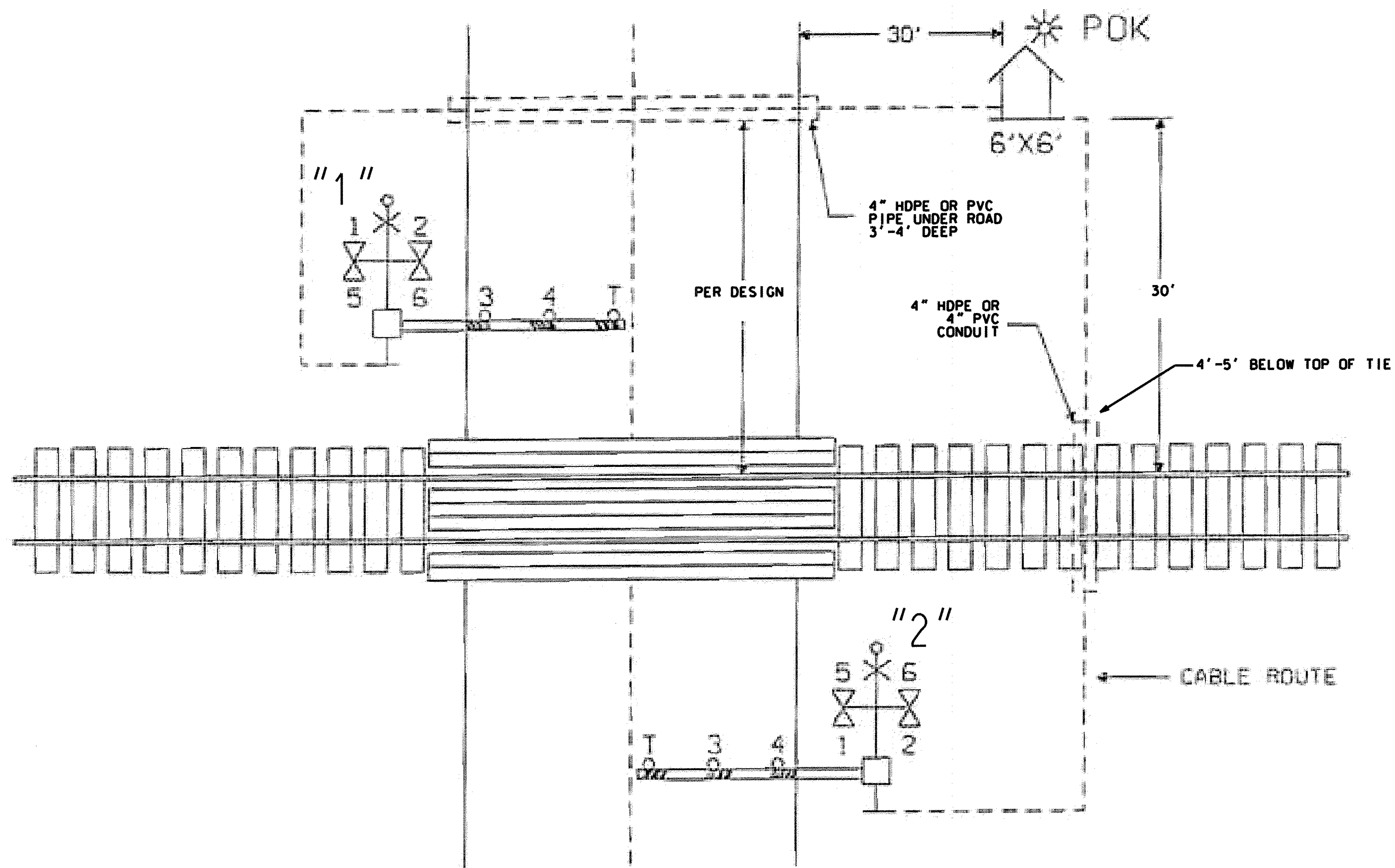
SC670.1.TIF

FILE

SC610.1

REVISIONS

09/27/10 XRL/TJF



NOTES:

CABLE TO BE A MINIMUM OF 36" DEEP.