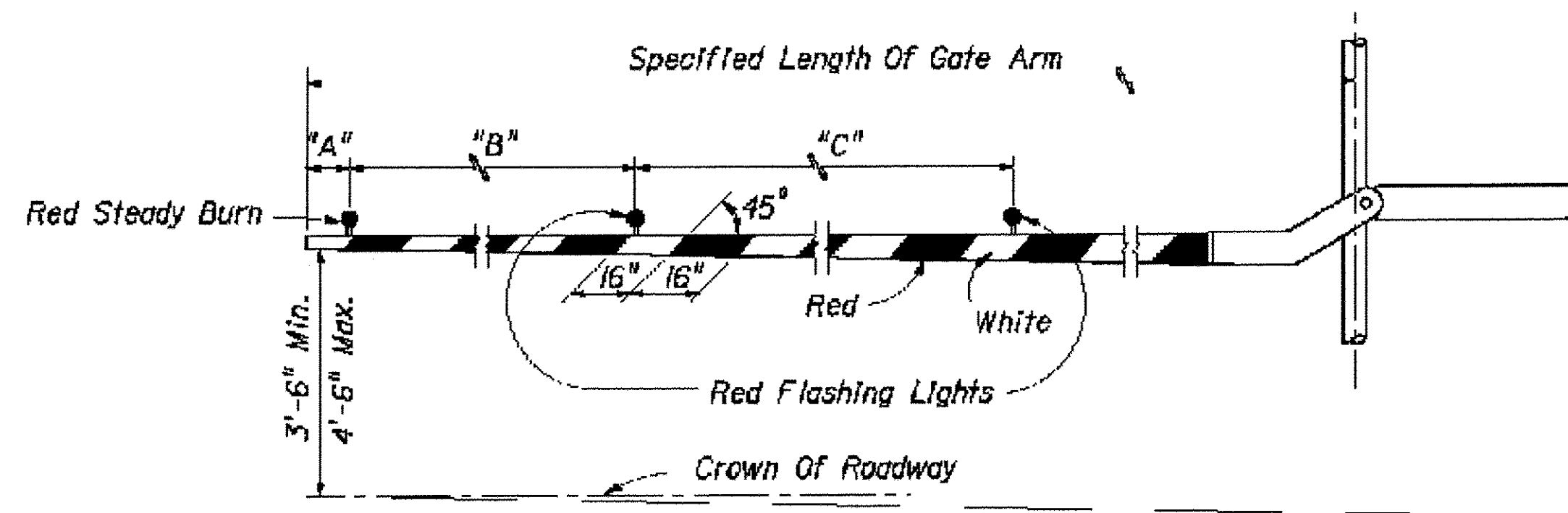


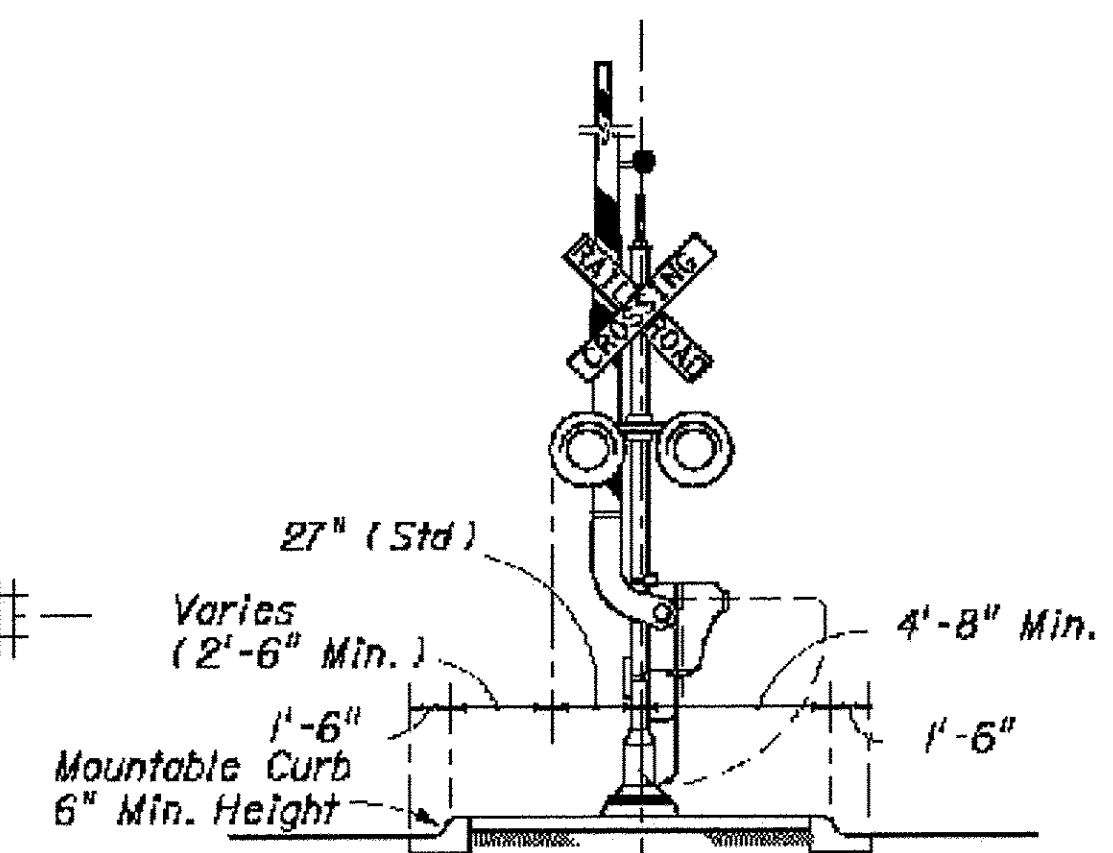
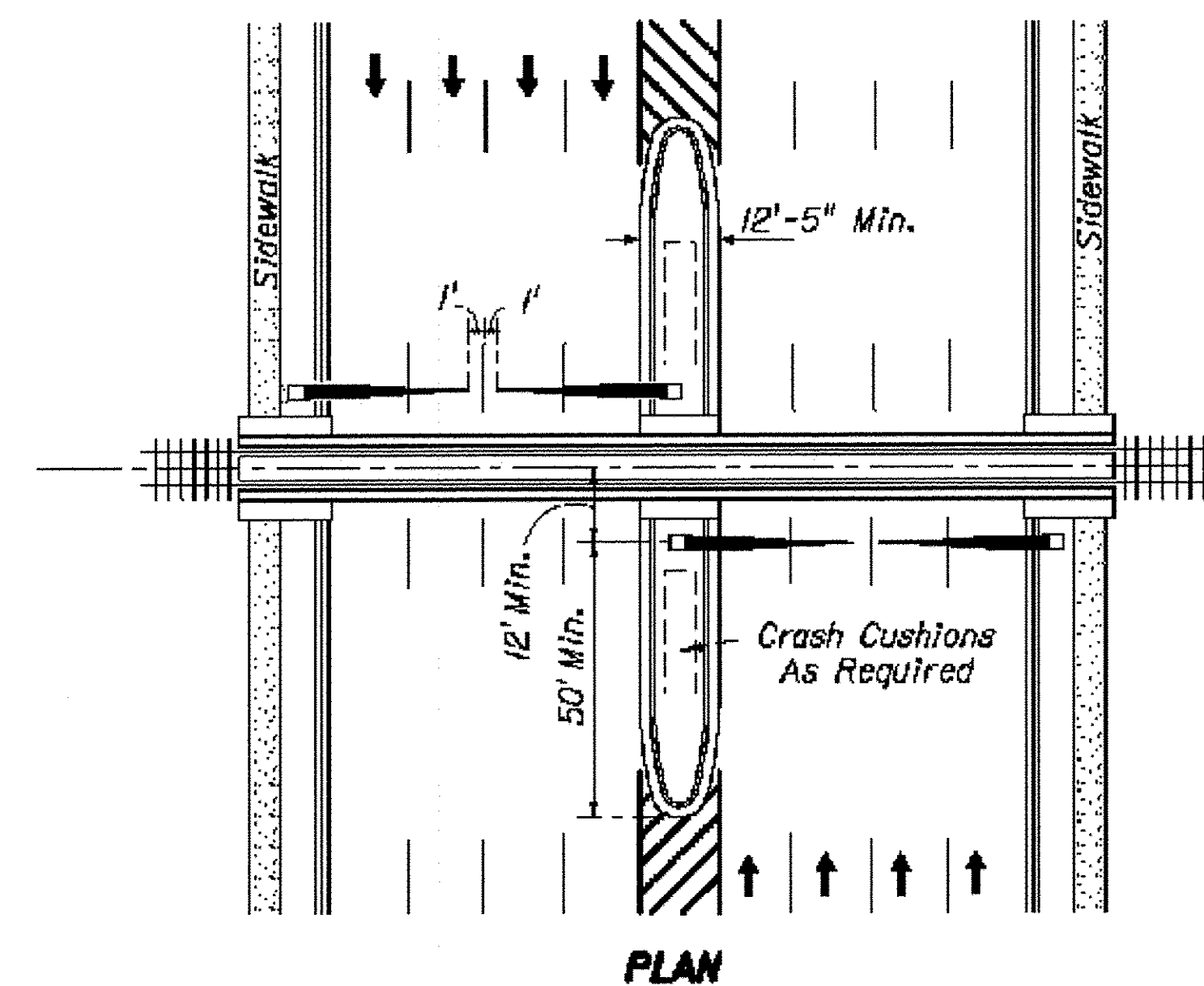
SINDEX17882 4.TIF

FILE
SC600.1
REVISIONS
09/27/10 XRL/TJF



RAILROAD GATE ARM LIGHT SPACING

| Specified Length Of Gate Arm | Dimension "A" | Dimension "B" | Dimension "C" |
|------------------------------|---------------|---------------|---------------|
| 14 Ft. | 6" | 36" | 5' |
| 15 Ft. | 18" | 36" | 5' |
| 16-17 Ft. | 24" | 36" | 5' |
| 18-19 Ft. | 28" | 41" | 5' |
| 20-23 Ft. | 28" | 4' | 5' |
| 24-28 Ft. | 28" | 5' | 5' |
| 29-31 Ft. | 36" | 6' | 6' |
| 32-34 Ft. | 36" | 7' | 7' |
| 35-37 Ft. | 36" | 9' | 9' |
| 38 And Over | 36" | 10' | 10' |



MEDIAN SECTION AT SIGNAL GATES

NOTE:
For additional information see the "Manual On Uniform Traffic Control Devices", Part VIII; The "Traffic Control Handbook", Part VIII; and AASHTO "A Policy On Geometric Design Of Streets And Highways".

**MEDIAN SIGNAL GATES FOR
MULTI LANE UNDIVIDED URBAN SECTIONS**

(THREE OR MORE DRIVING LANES IN ONE DIRECTION, 45 mph OR LESS)