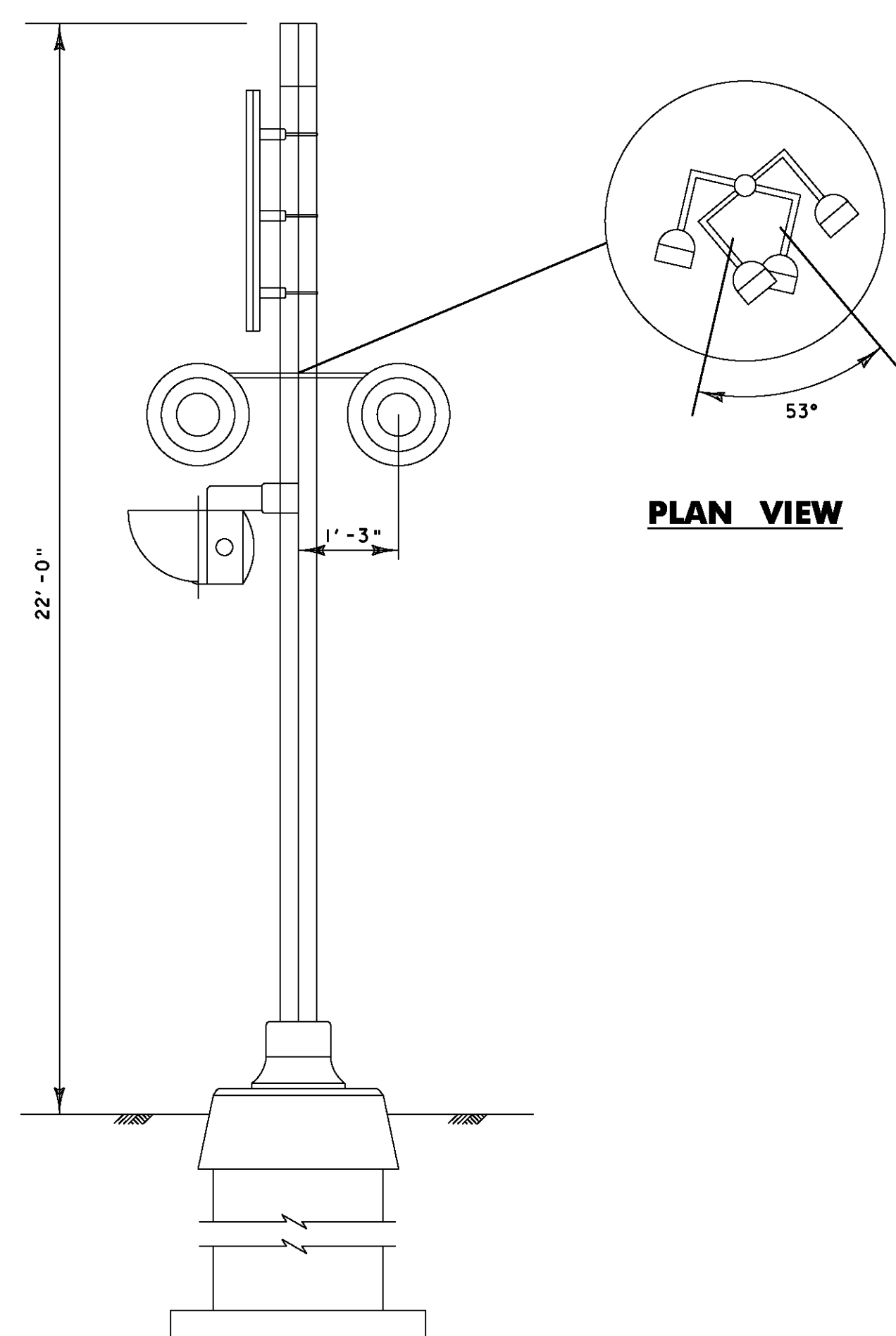
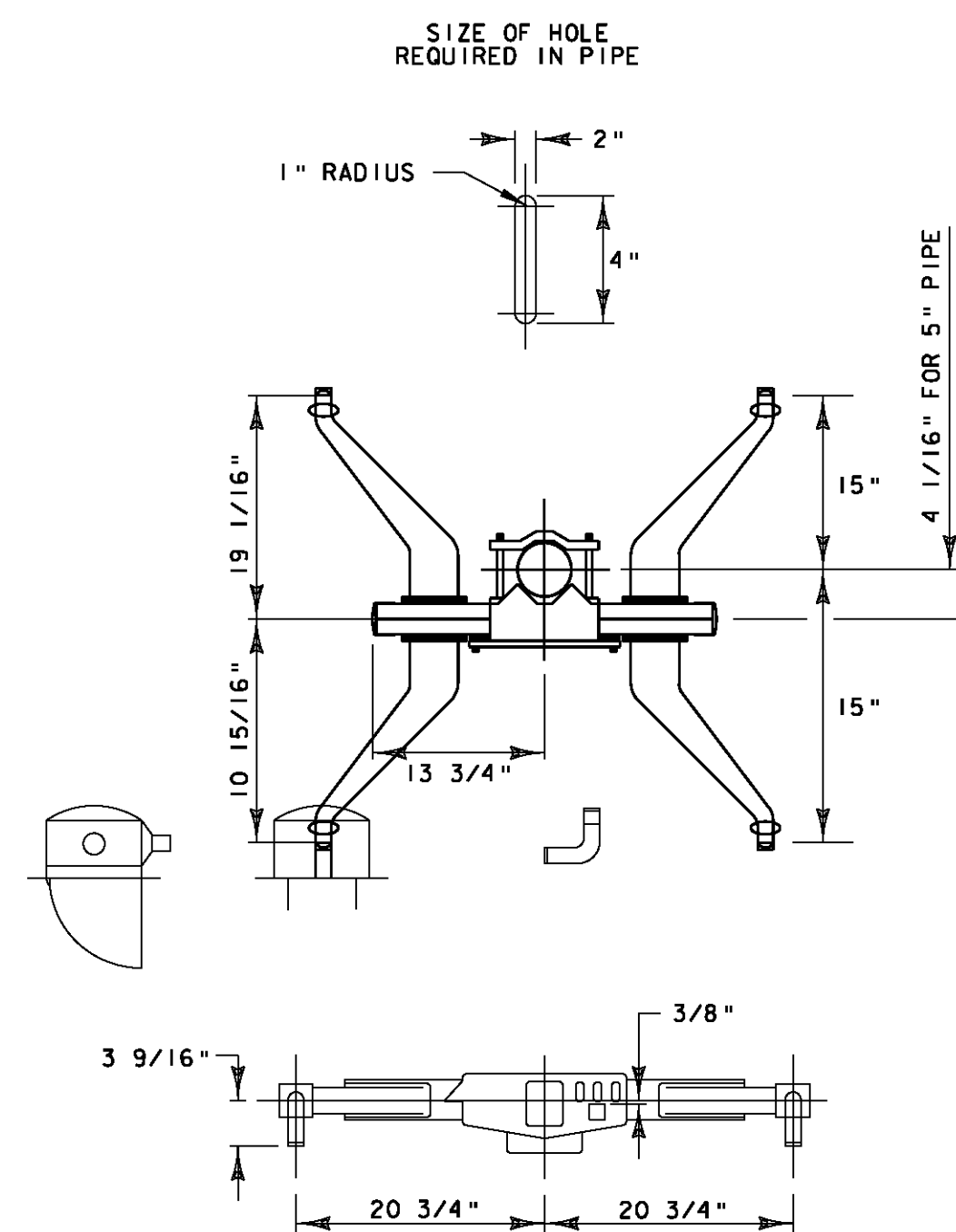


ROADWAY VIEW



SIDE VIEW (KELLOGG ROAD)



TYPICAL LAMP CROSSARM WITH BRACKETS

NOT TO SCALE

SIGNAL ASSEMBLY G-3
NOT TO SCALE



PROJECT NAME:	SWANTON
PROJECT NUMBER:	STP 2038(16)
FILE NAME:	...\\B_signal_assembly_details.p1*PLOT DATE: 8/31/2011
PROJECT LEADER:	G. EDWARDS
DESIGNED BY:	STANTEC
DRAWN BY:	KJR
CHECKED BY:	GAE
SIGNAL ASSEMBLY DETAILS 2	SHEET 17 OF 25