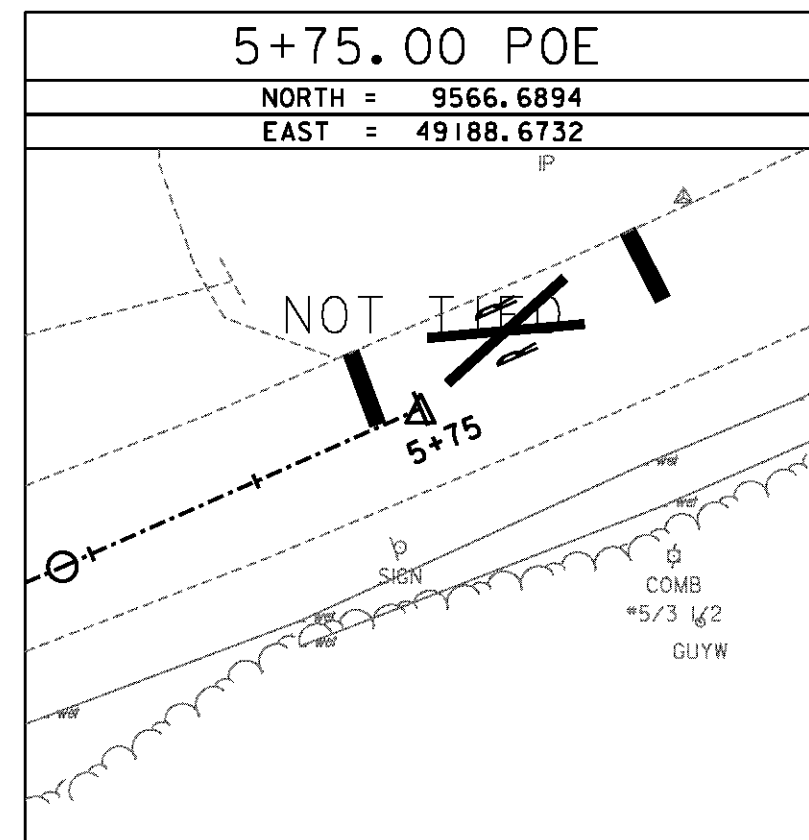
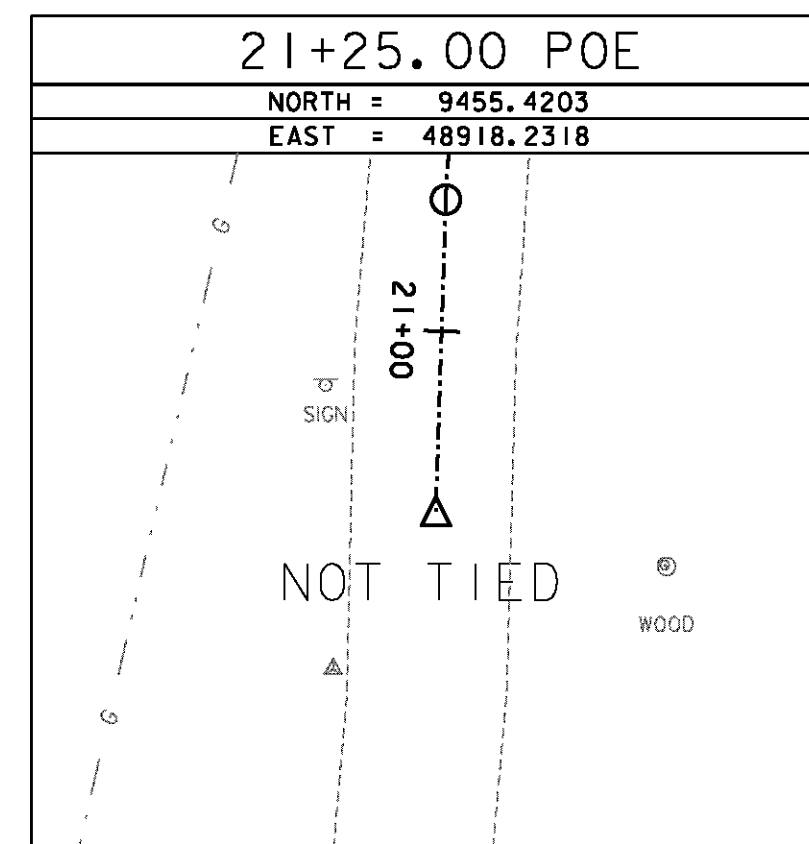
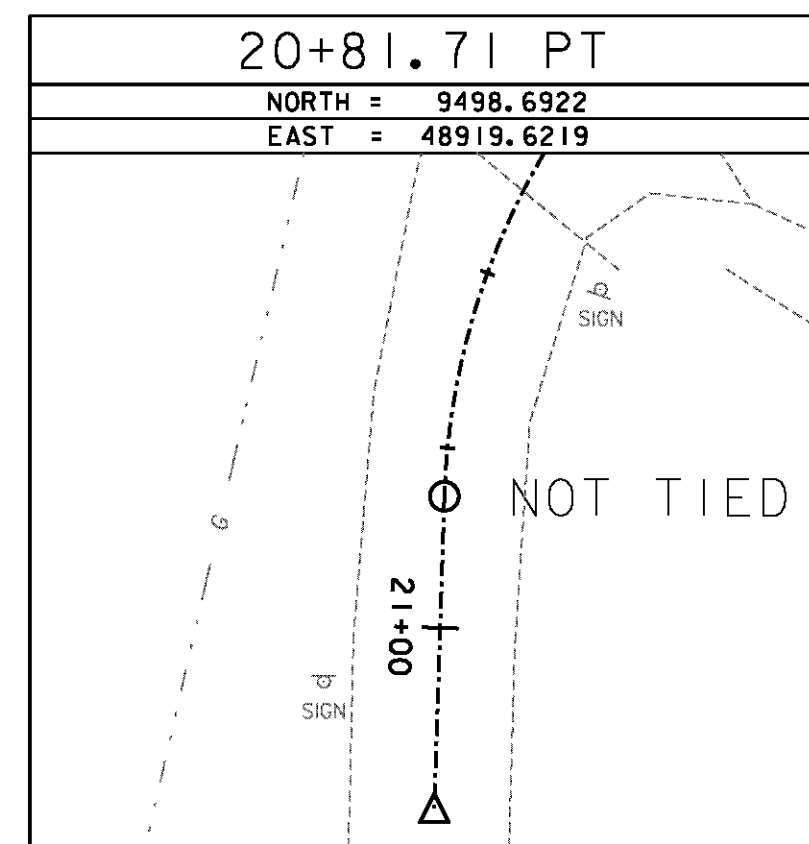
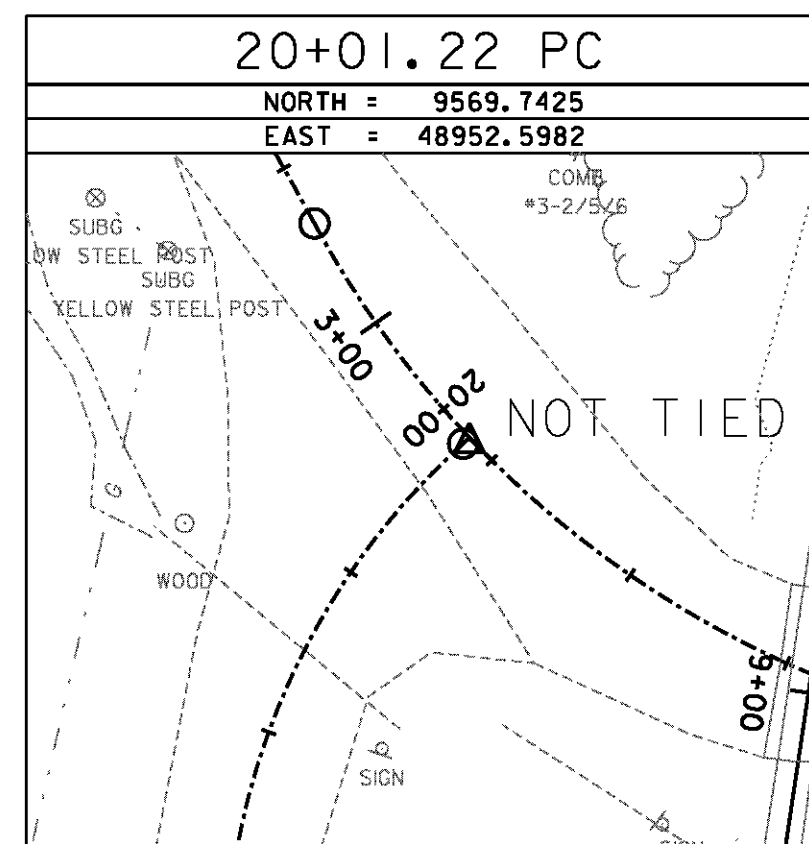
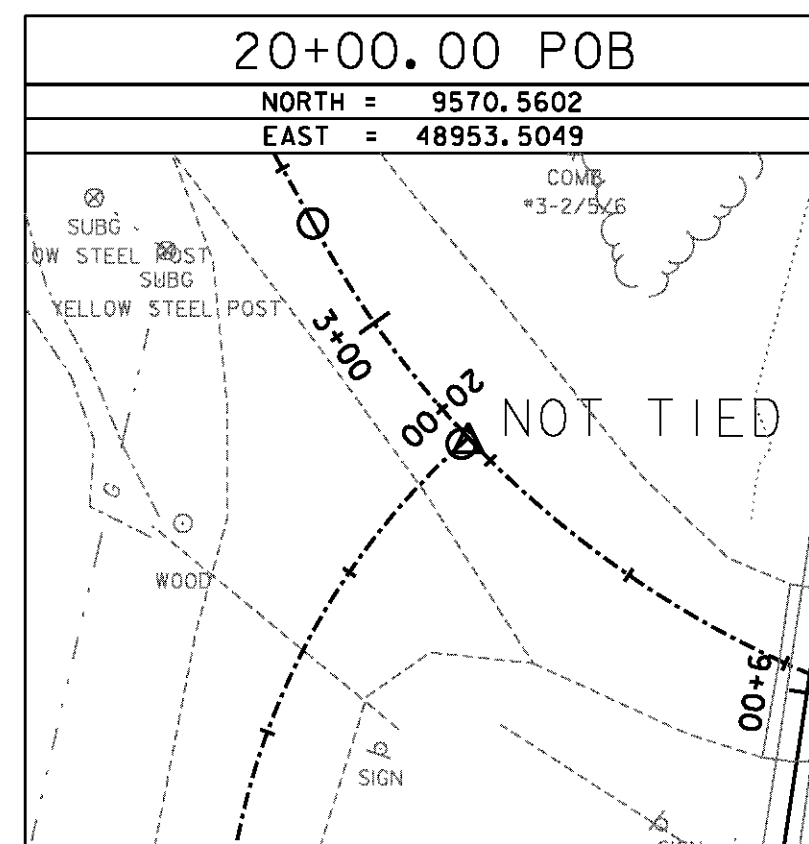


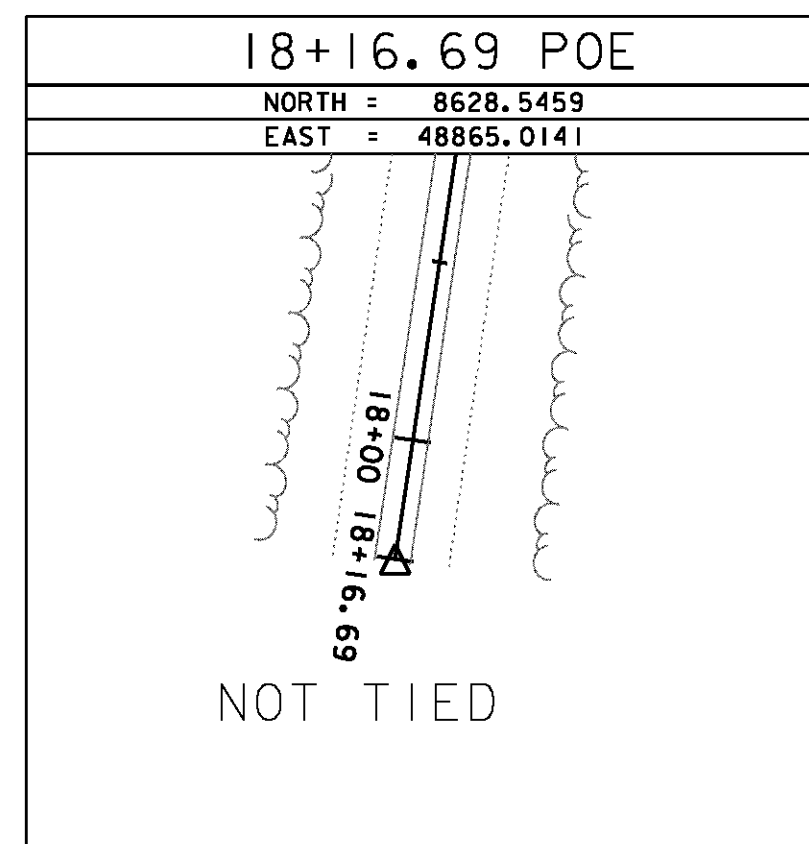
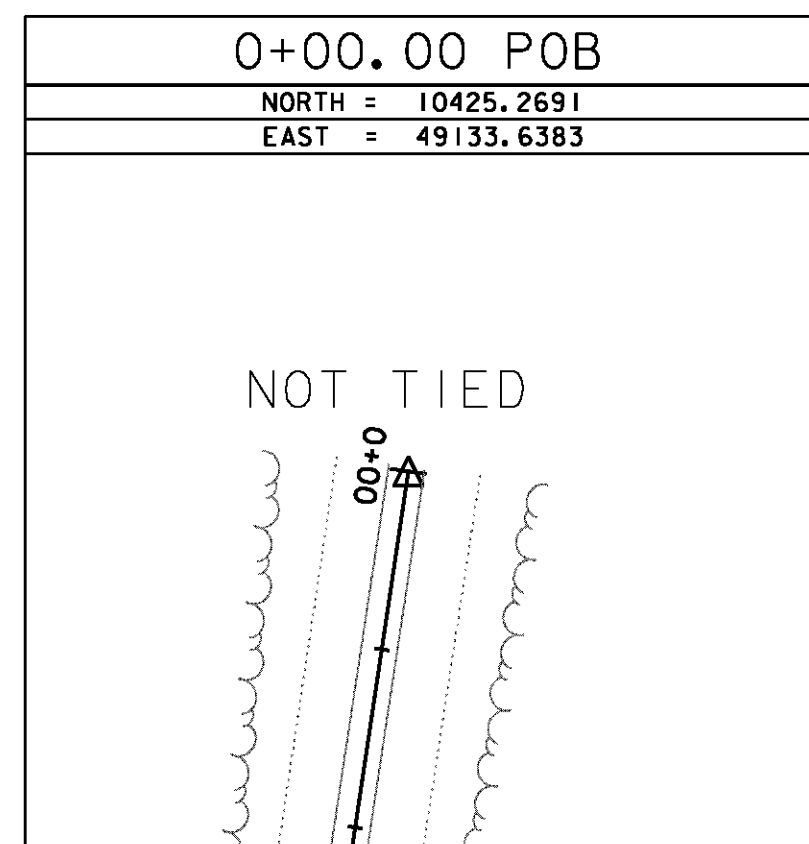
ALIGNMENT POINTS
COMSTOCK ROAD



ALIGNMENT POINTS
KELLOGG ROAD



ALIGNMENT POINTS
RAILROAD CENTERLINE



DATUM
VERTICAL NAVD 88
HORIZONTAL ASSUMED
ADJUSTMENT None

PROJECT NAME: SWANTON
PROJECT NUMBER: STP 2038(16)
FILE NAME: ...drawing\Plot-Files\06-File.p1fPLOT DATE: 8/26/2011
PROJECT LEADER: G. EDWARDS DRAWN BY: KJR
DESIGNED BY: KJR CHECKED BY: GAE
TIE SHEET 2 SHEET 7 OF 25

