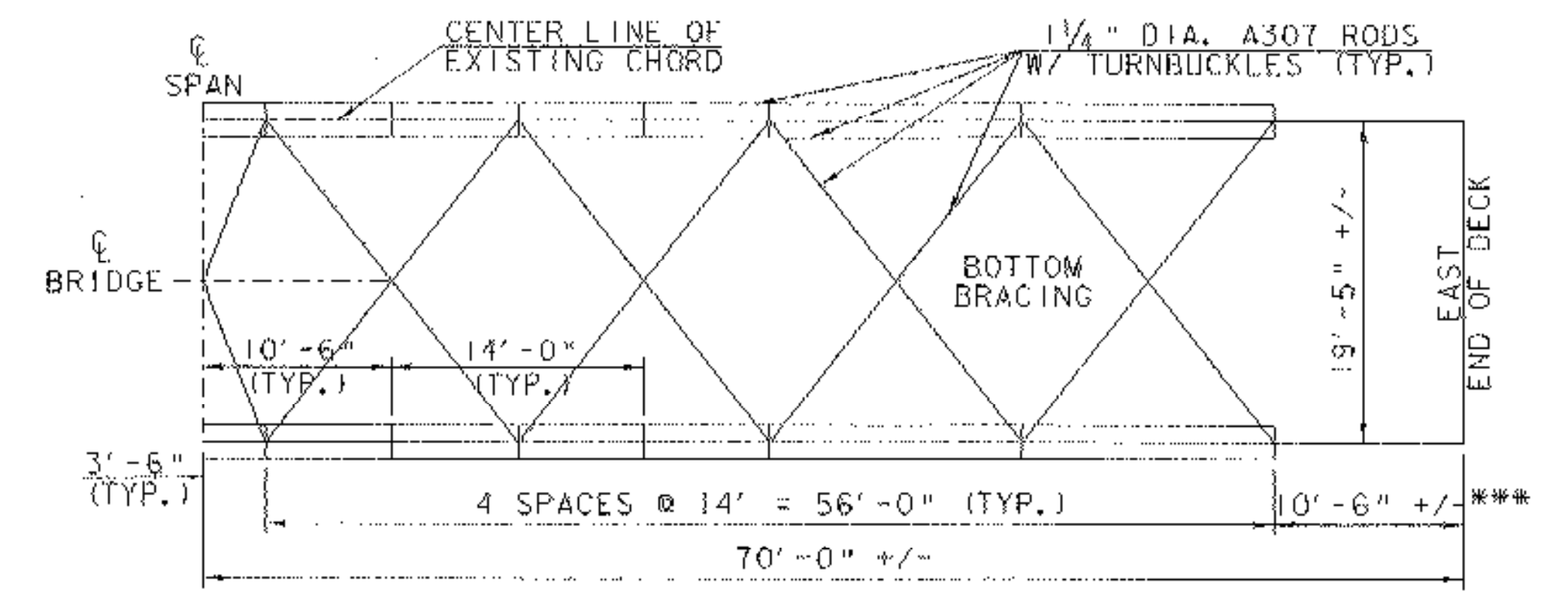
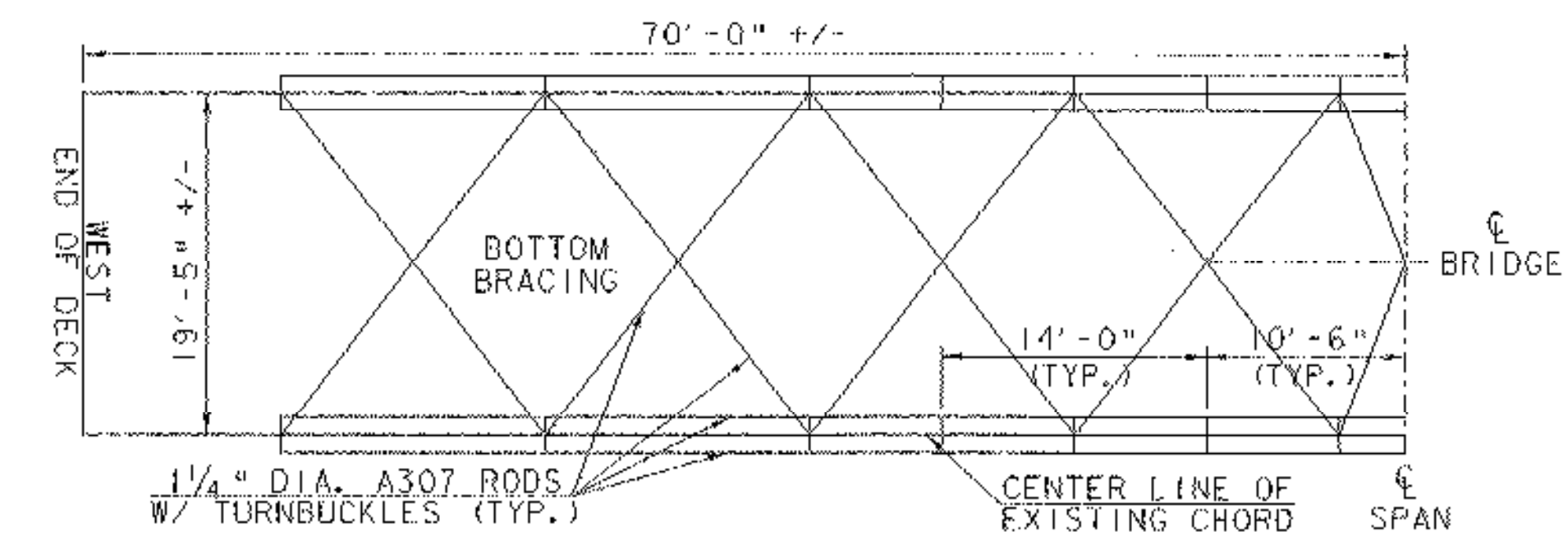
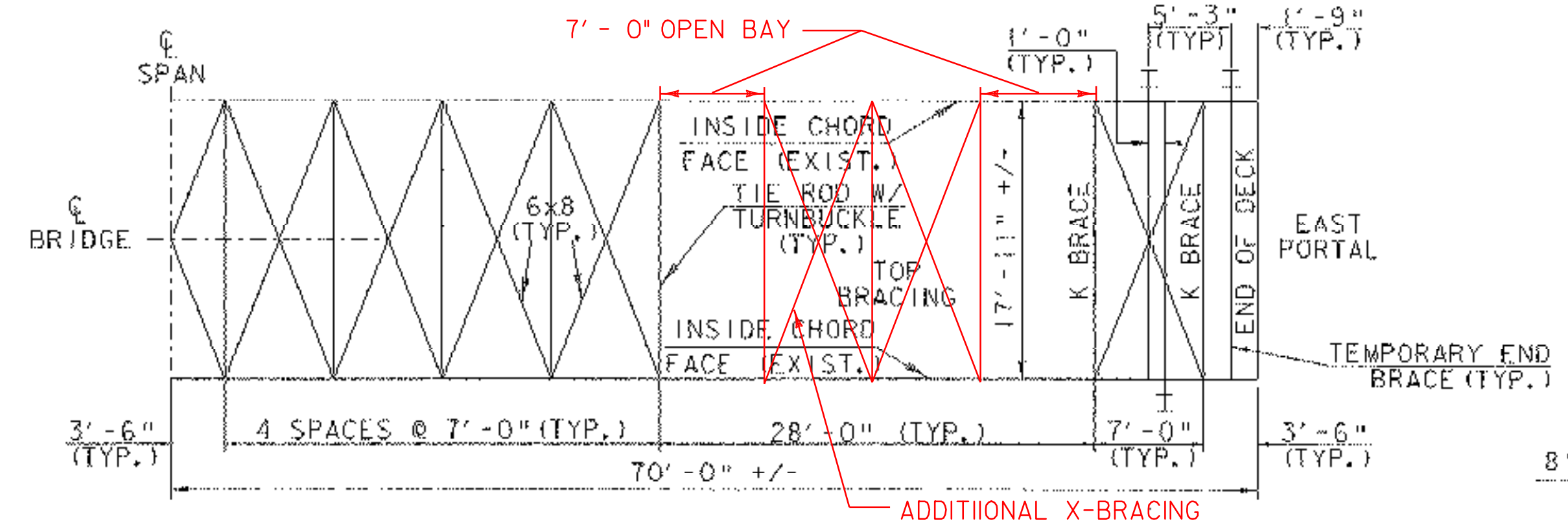


SECTION AA
1" = 1'-0"

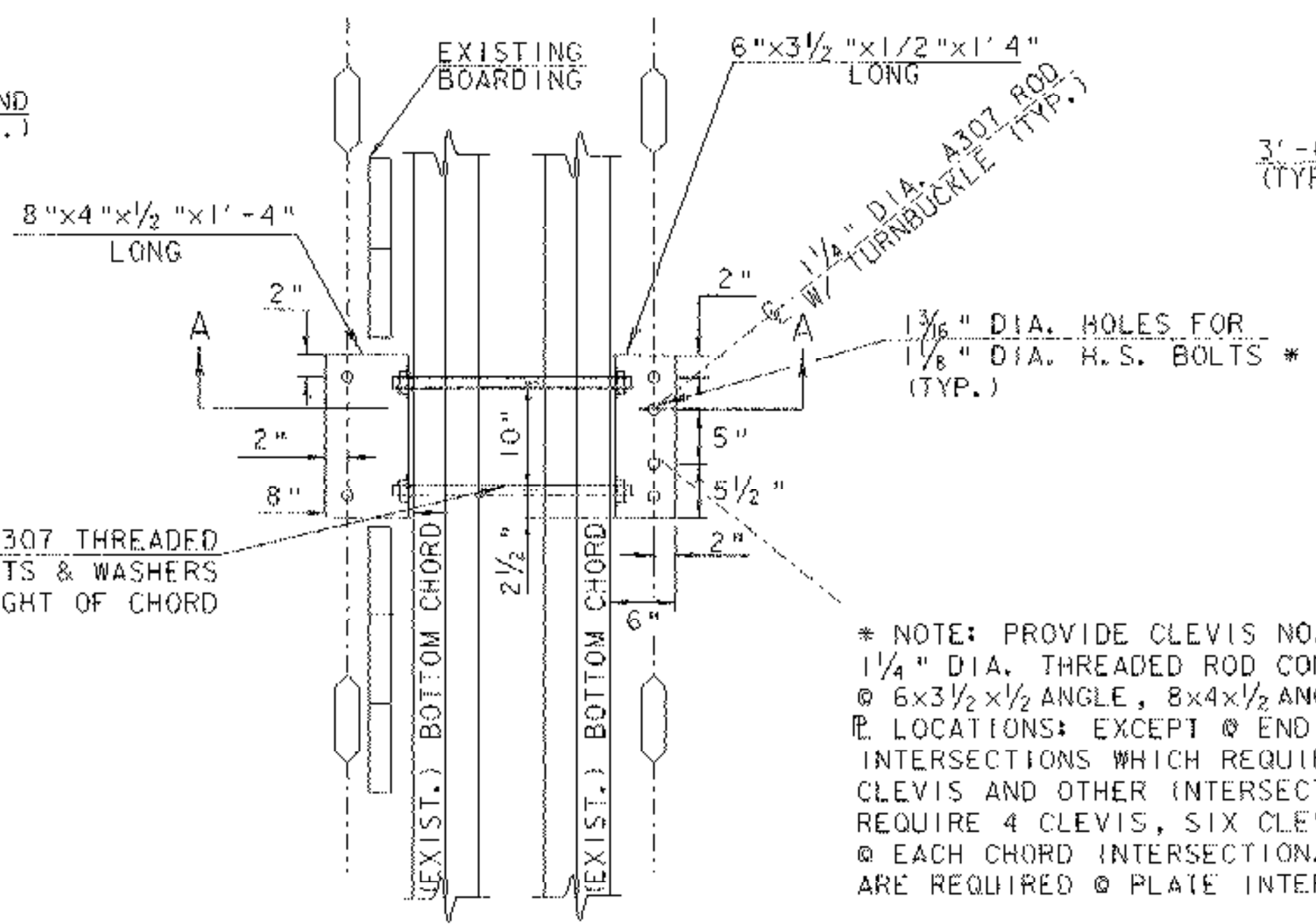


*** NOTE: LOCATE DIRECTLY BENEATH NEAREST FLOOR BEAM.

HAMMOND BRIDGE
(NEW BOTTOM BRACING)
SCALE: 1/8" = 1'



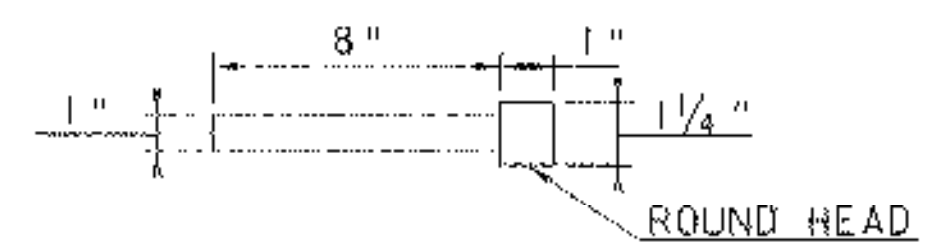
HAMMOND BRIDGE
(NEW TOP BRACING)
SCALE: 1/8" = 1'



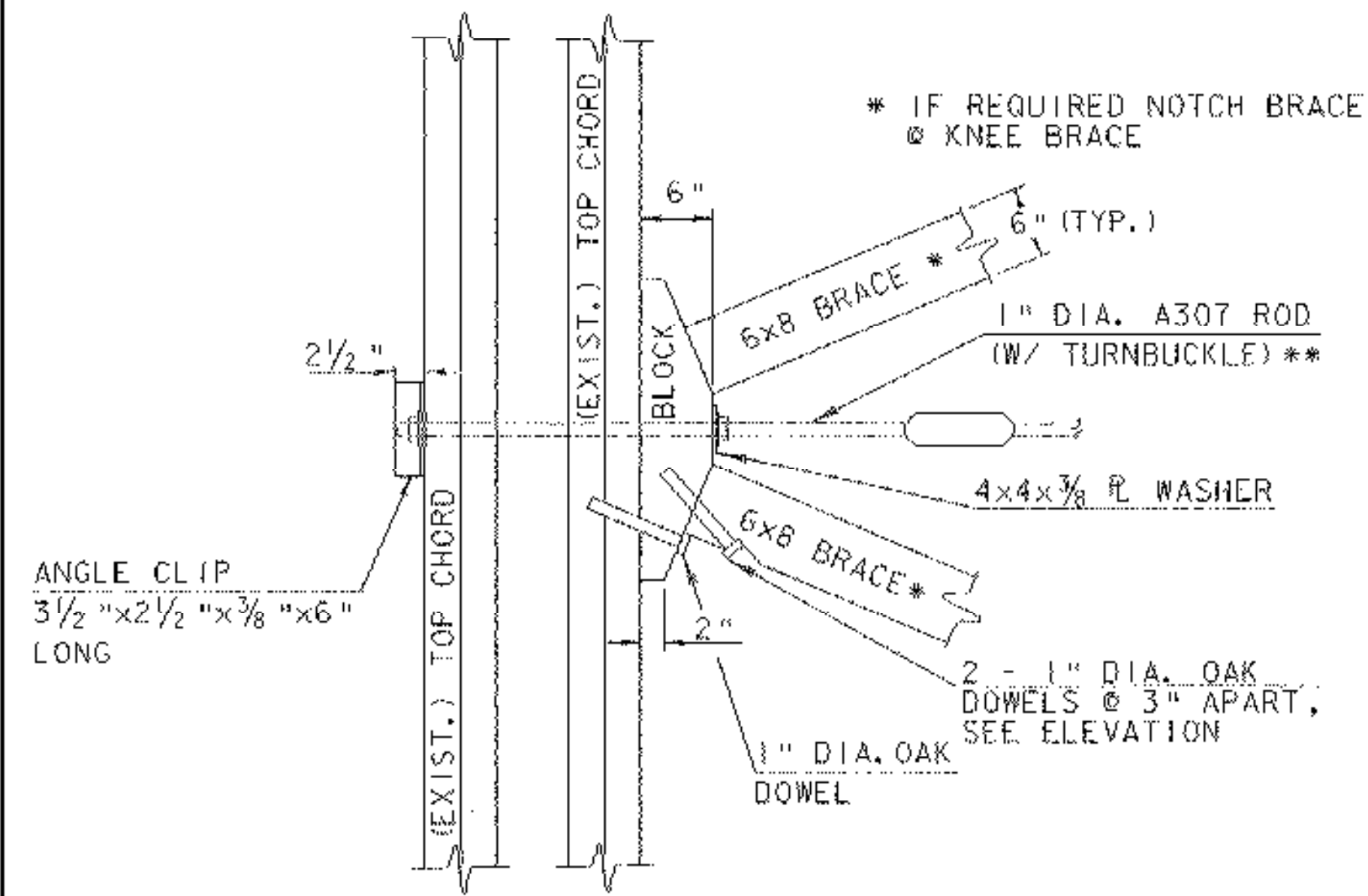
PLAN @ LOWER BOTTOM CHORD **
SCALE: 1" = 1'-0"

* NOTE: PROVIDE CLEVIS NO.3 FOR 1/4" DIA. THREADED ROD CONNECTIONS @ 6x3 1/2 x 1/2 ANGLE, 8x4 x 1/2 ANGLE, AND 3/4" PL LOCATIONS: EXCEPT @ END OF CHORD INTERSECTIONS WHICH REQUIRE THREE CLEVIS AND OTHER INTERSECTIONS WHICH REQUIRE 4 CLEVIS, SIX CLEVIS ARE REQUIRED @ EACH CHORD INTERSECTION. FOUR CLEVIS ARE REQUIRED @ PLATE INTERSECTIONS.

** FLOOR BEAMS NOT SHOWN.

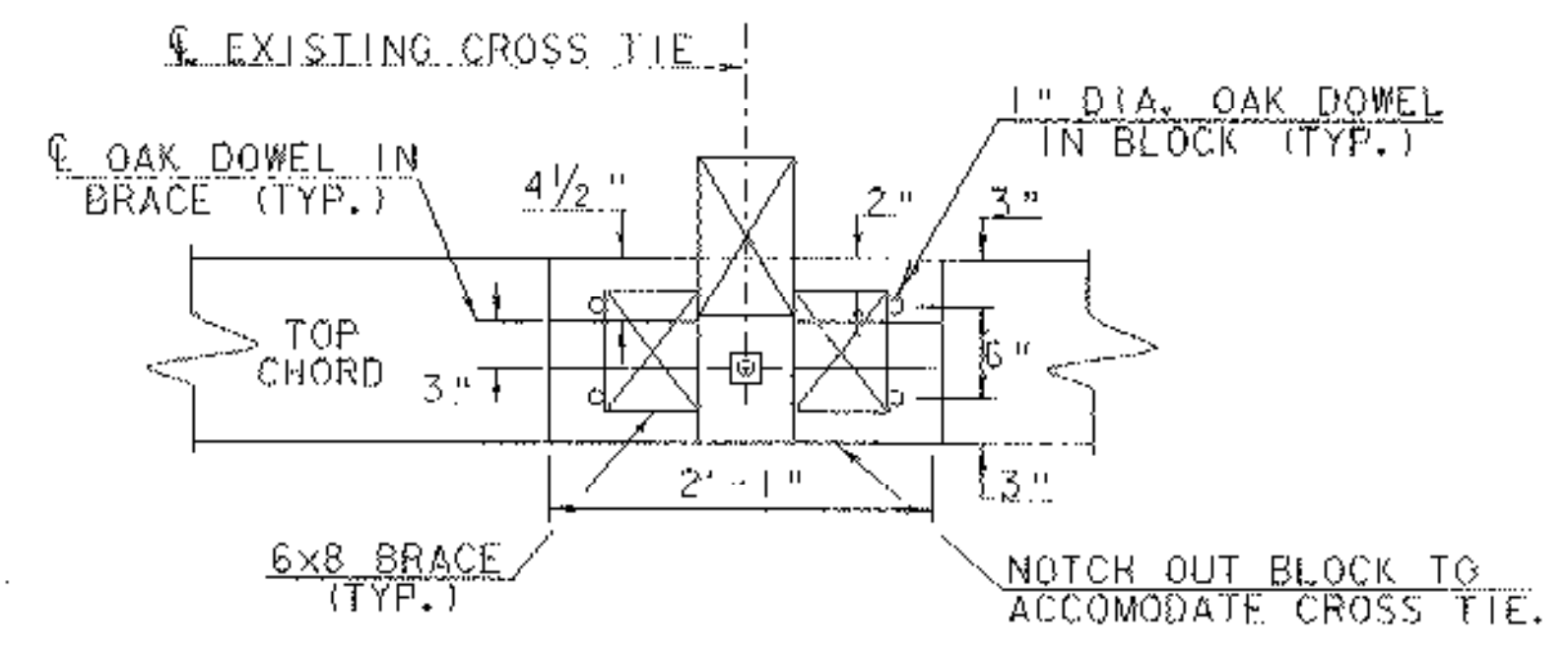


DOWEL DETAIL
NTS



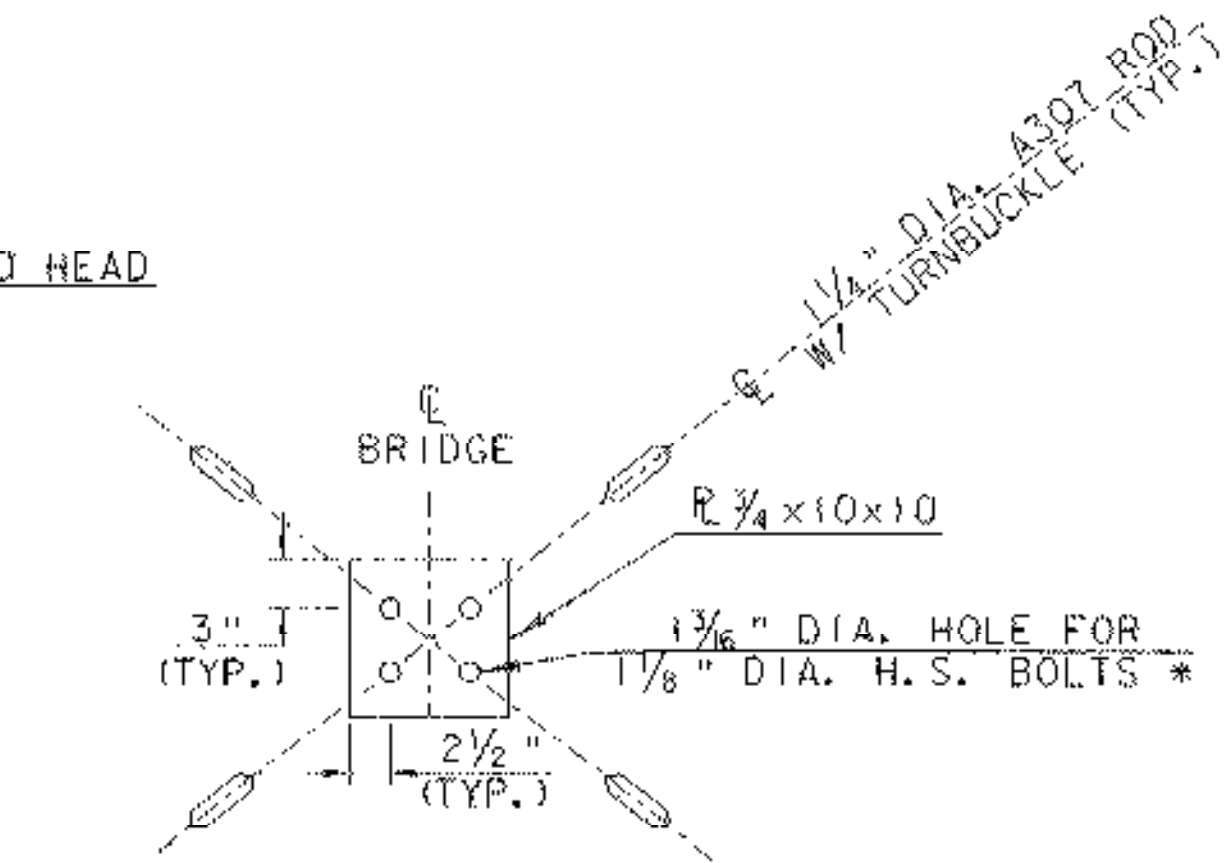
PLAN @ TOP CHORD
W/O CROSS TIE SHOWN

SCALE: 1" = 1'-0"



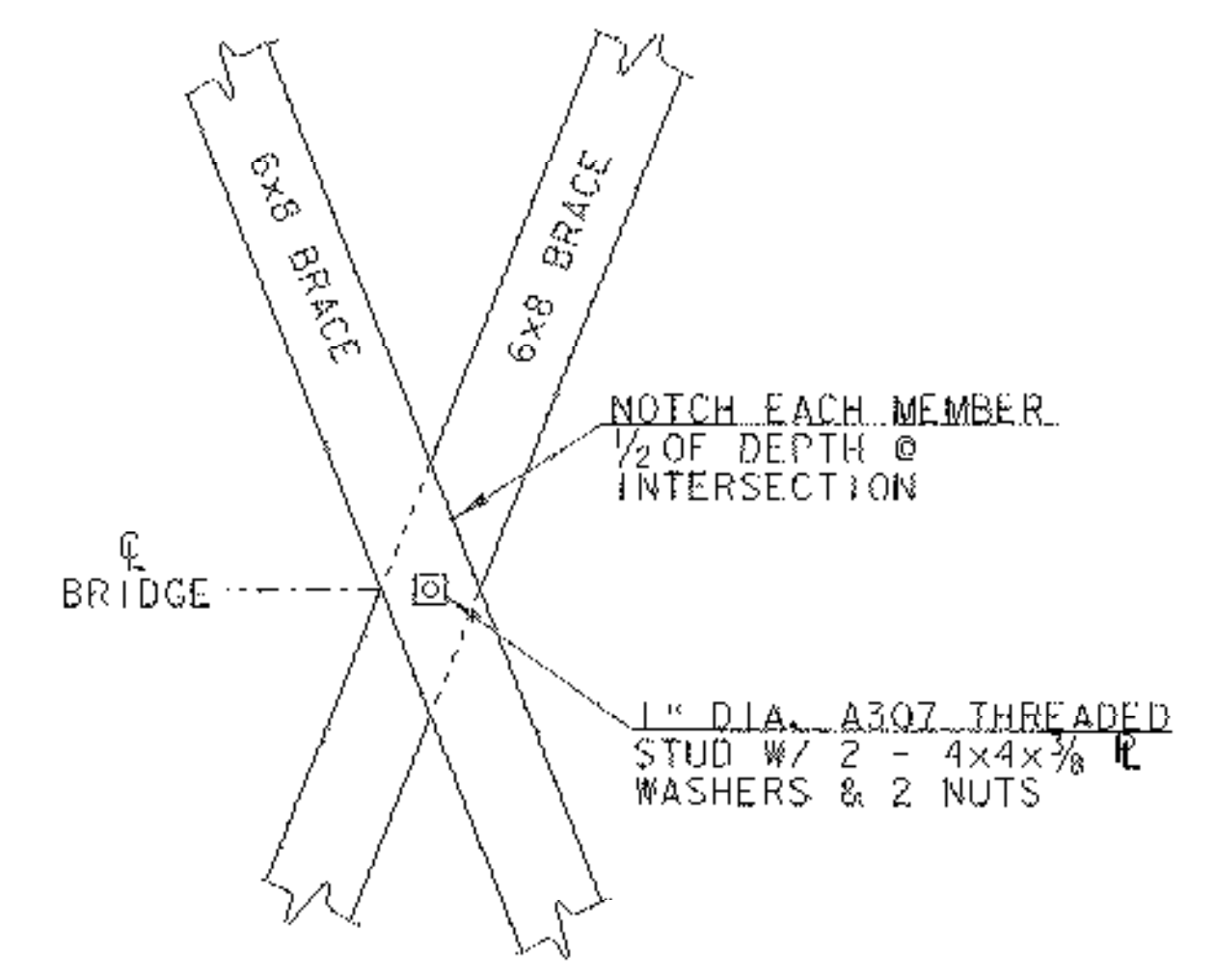
ELEVATION @ TOP CHORD

SCALE: 1" = 1'-0"



BOTTOM X-BRACE
PLAN @ C OF BRIDGE

SCALE: 1" = 1'-0"



PLAN @ 6x8 INTERSECTION

SCALE: 1" = 1'-0"

NOTE: ALL MEMBERS AND COMPONENTS SHOWN ARE NEW EXCEPT THOSE INDICATED OTHERWISE.

PROJECT:	PITTSFORD	ST HMND (1)
DESIGN FILE NAME:		
IPARM FILE NAME:		
DESIGNED BY: J. WEAVER	PLOT DATE: 28-APR-2005	
	DRAWN BY: J. WHITE	
	CHECKED BY: J. WEAVER	
CONSTRUCTION DETAIL SHEET 2	SHEET: 4 OF 5	