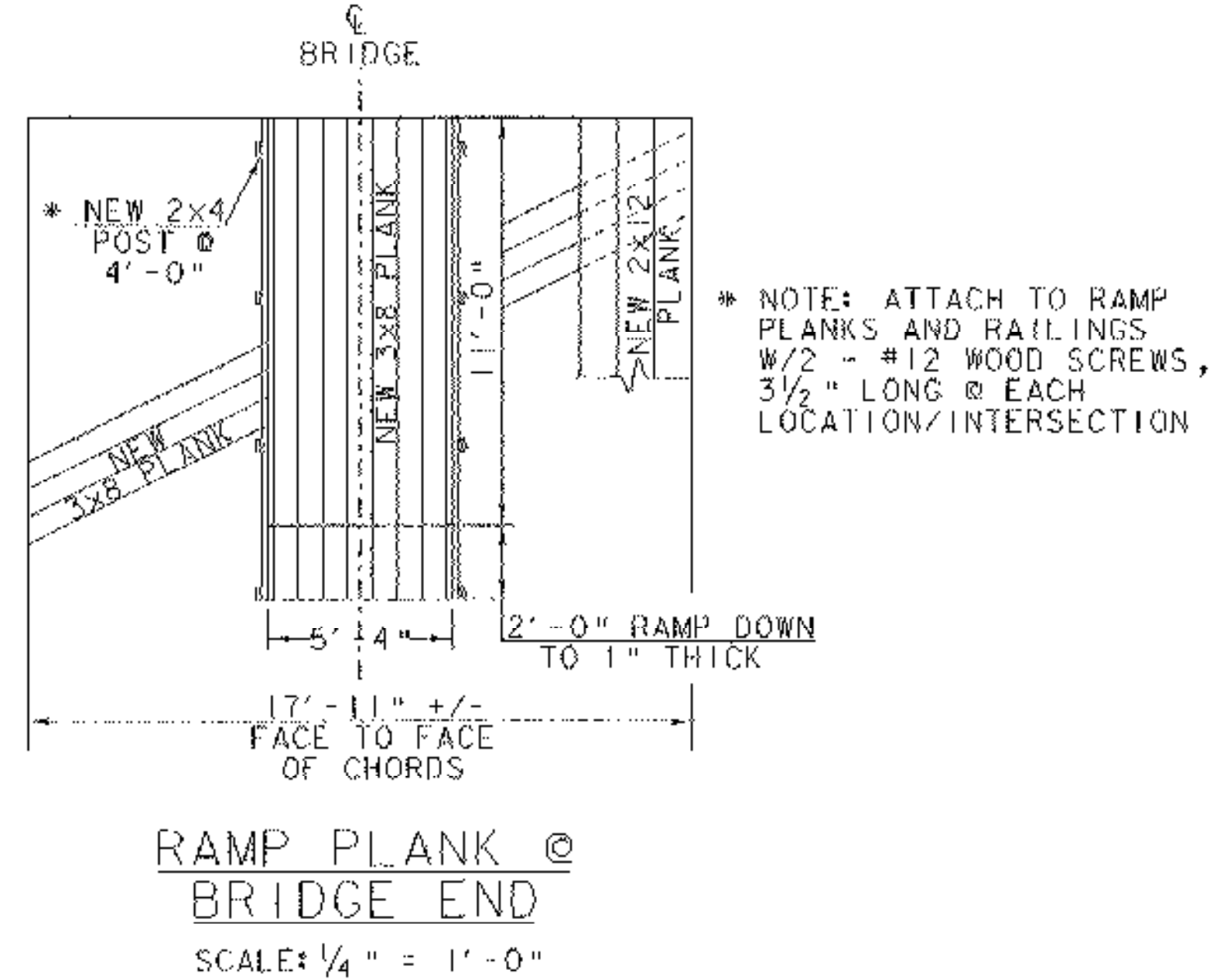
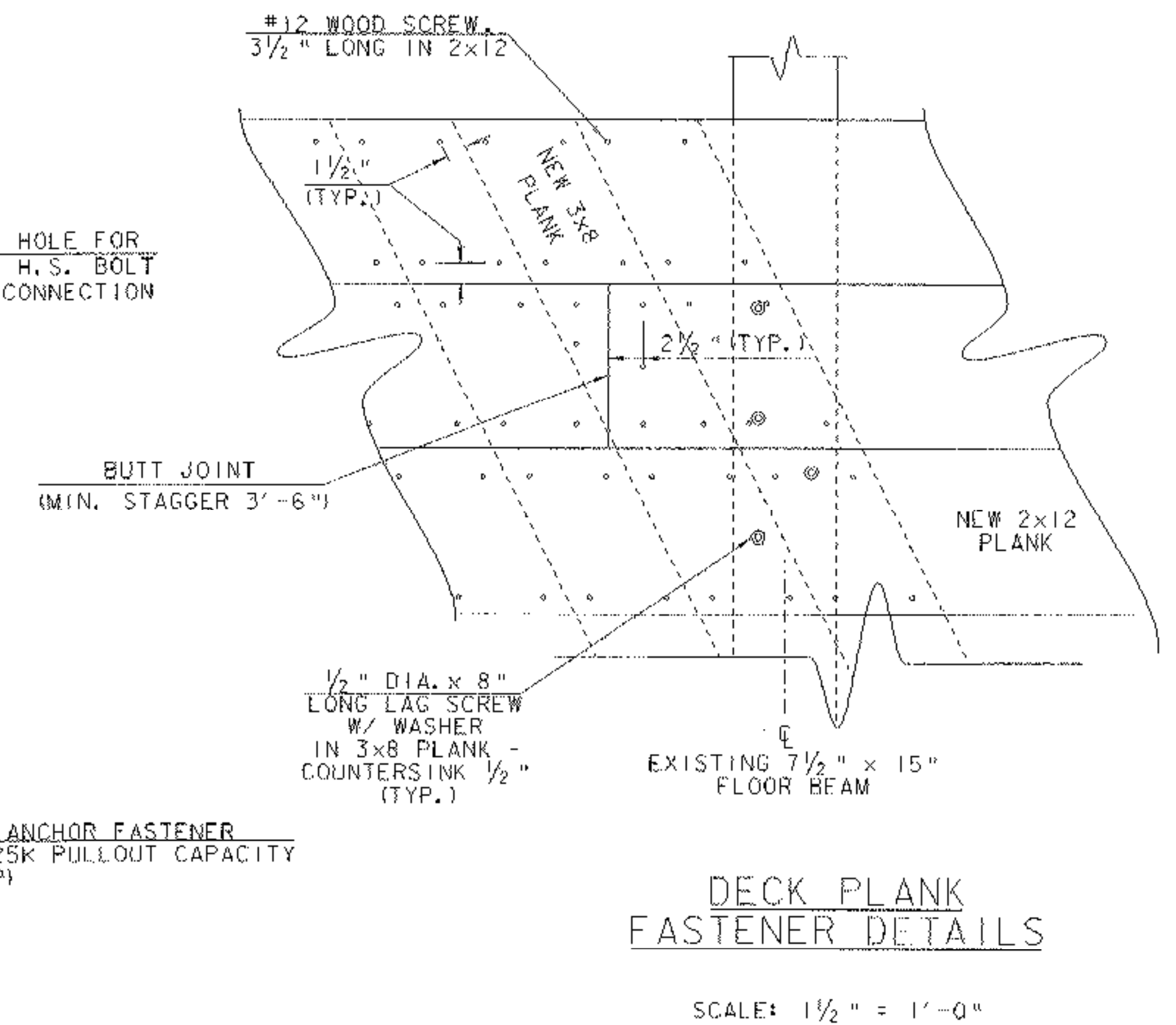
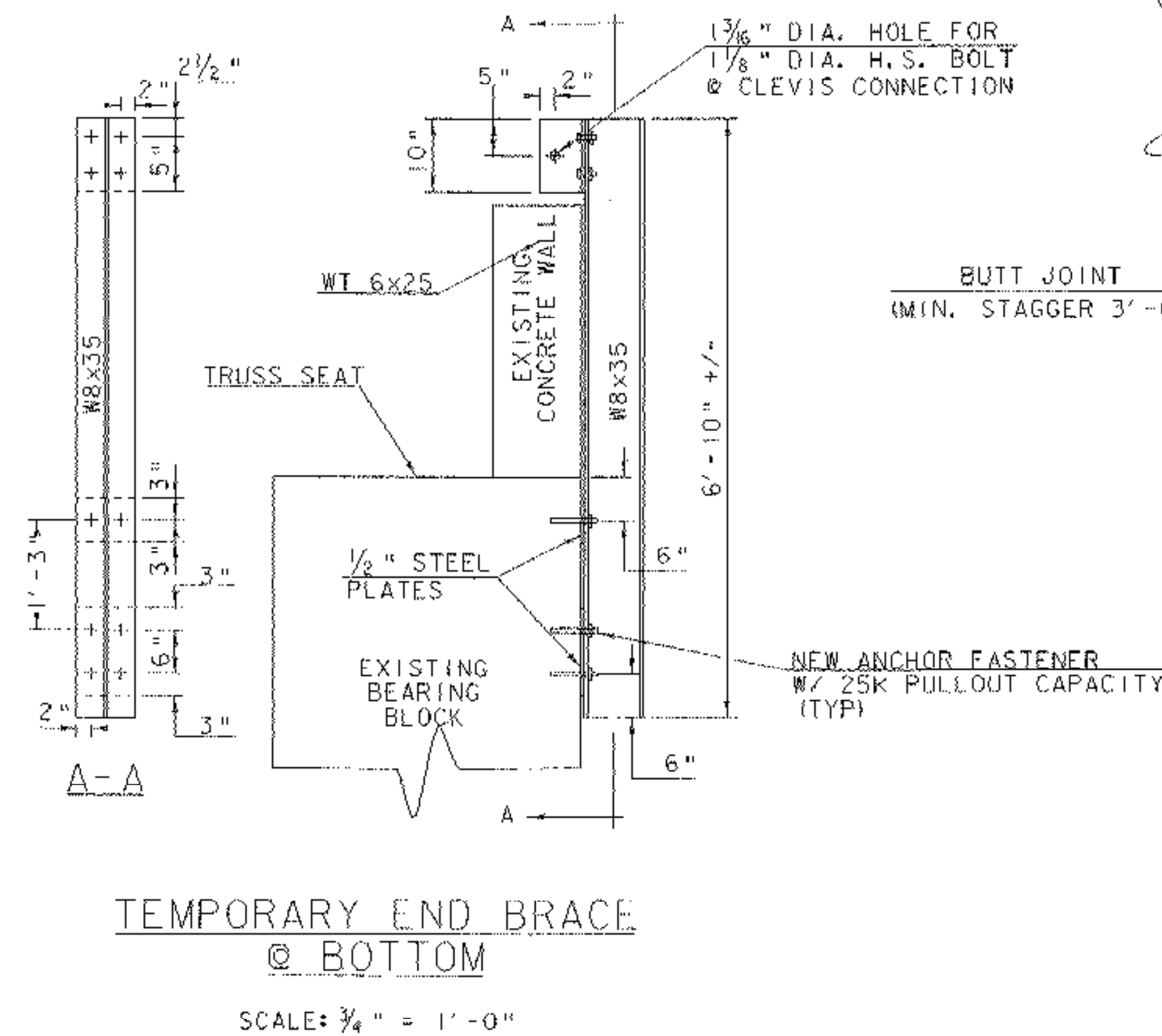
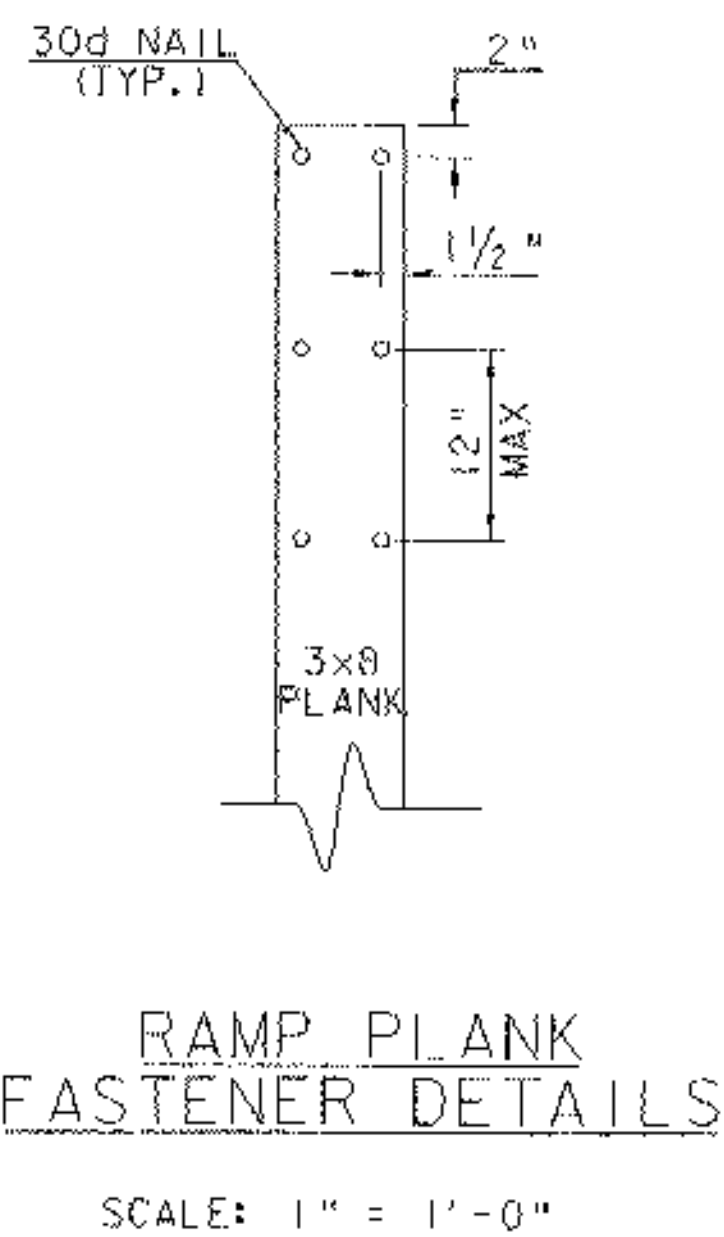


* NOTE: FOR END BRACE LOCATIONS, SEE (NEW TOP BRACING) ON SHEET 4 OF 5.
** TEMPORARY COMPONENTS. ALL OTHER COMPONENTS/ MEMBERS SHOWN ARE EXISTING. THE CONTRACTOR MAY SUBMIT AN ALTERNATE PROPOSAL FOR TEMPORARY SUPPORTS. THE PROPOSAL WILL REQUIRE APPROVAL OF THE ENGINEER.



* NOTE: ATTACH TO RAMP PLANKS AND RAILINGS W/ 2 - #12 WOOD SCREWS, 3 1/2" LONG @ EACH LOCATION/INTERSECTION



PROJECT:	
PITTSFORD	ST HMND (I)
DESIGN FILE NAME:	PLOT DATE: 28-APR-2005
IPARM FILE NAME:	DRAWN BY: J. WHITE
DESIGNED BY: J. WEAVER	CHECKED BY: J. WEAVER
CONSTRUCTION DETAIL SHEET 1	SHEET: 3 OF 5