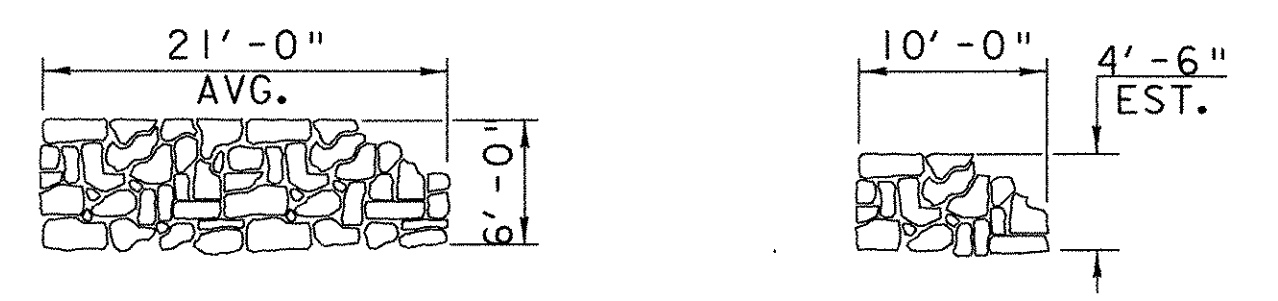
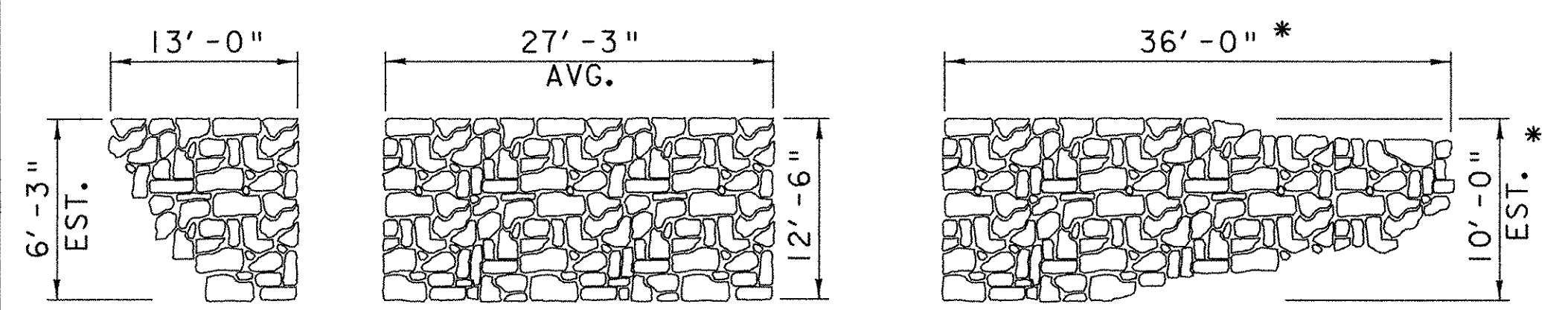
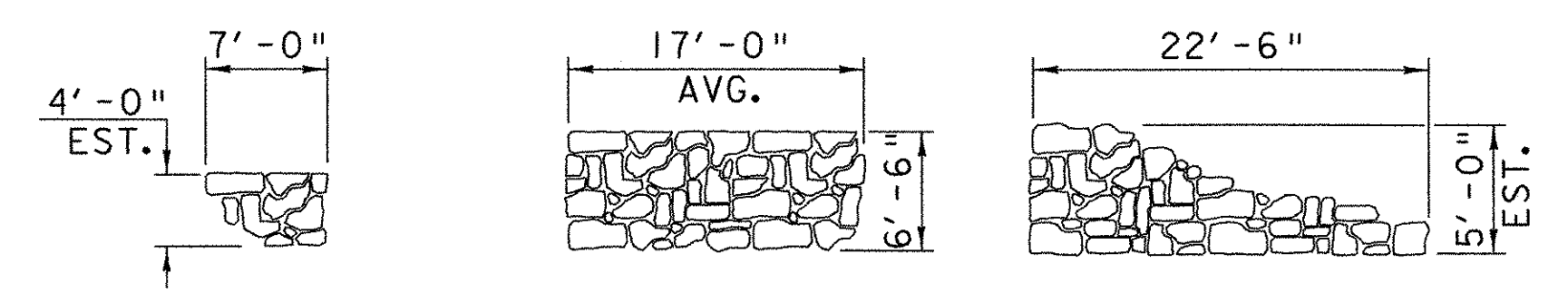
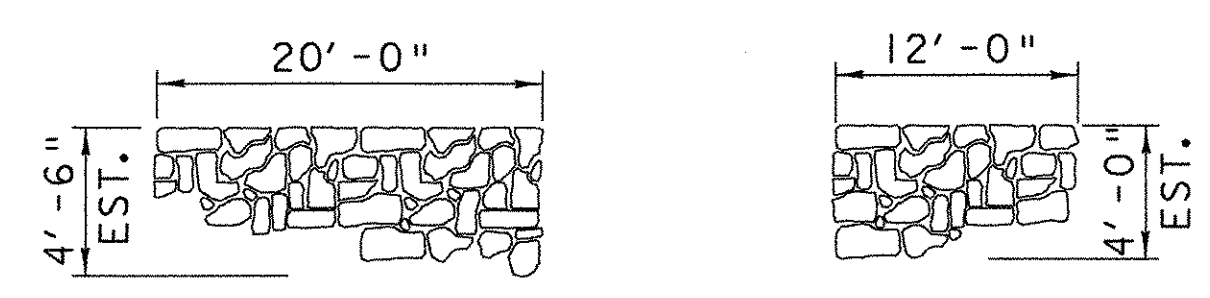
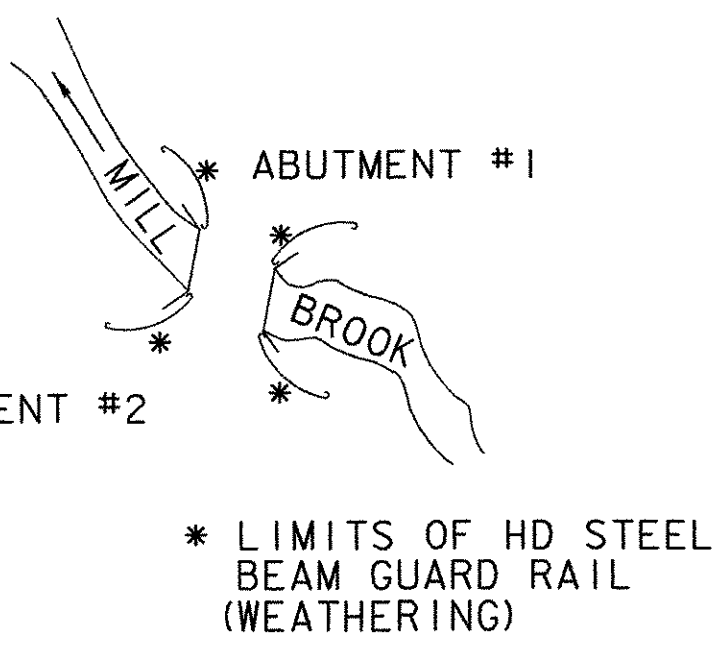


ABUTMENT #2 DOWNSTREAM WINGWALL ELEVATION

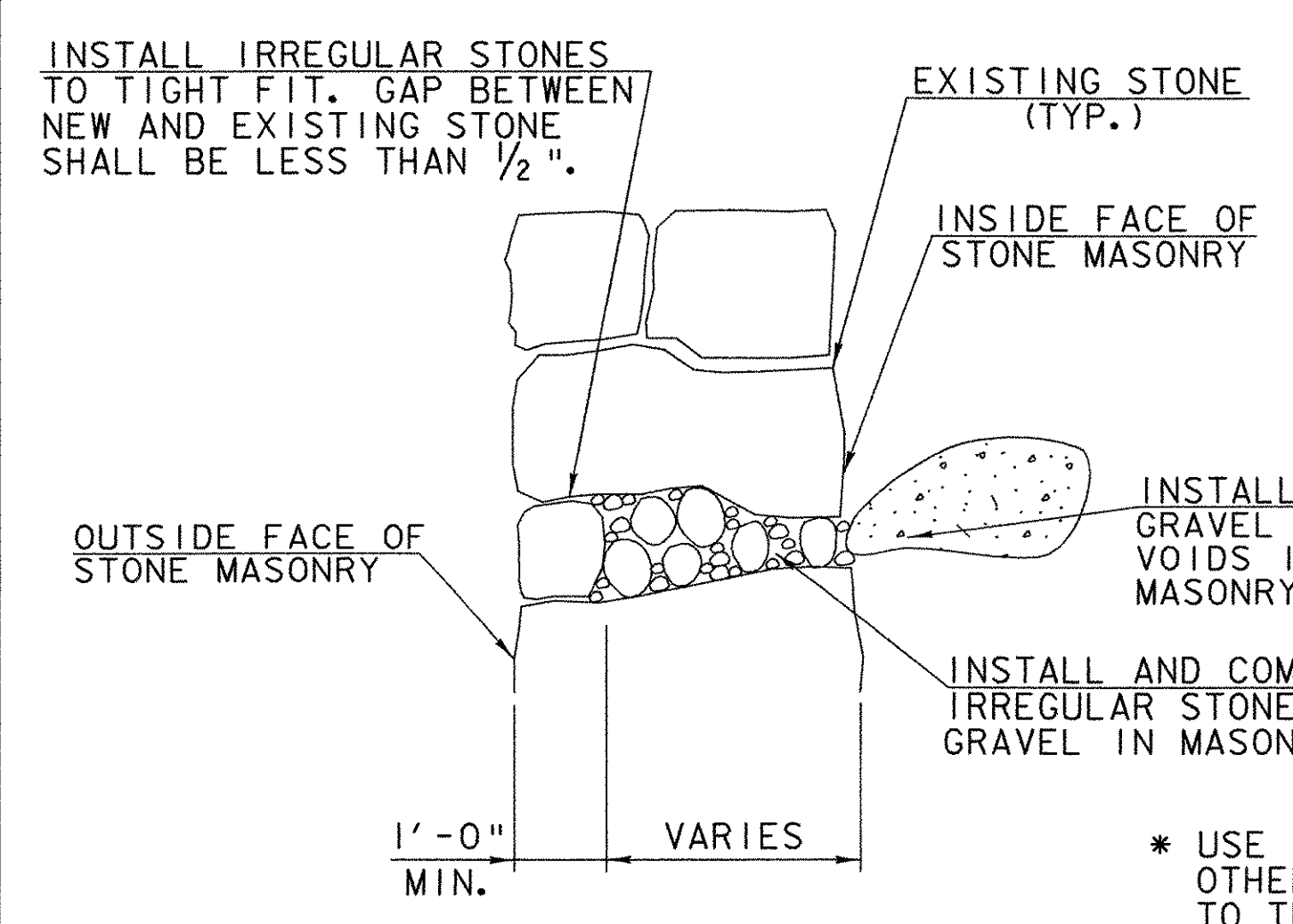
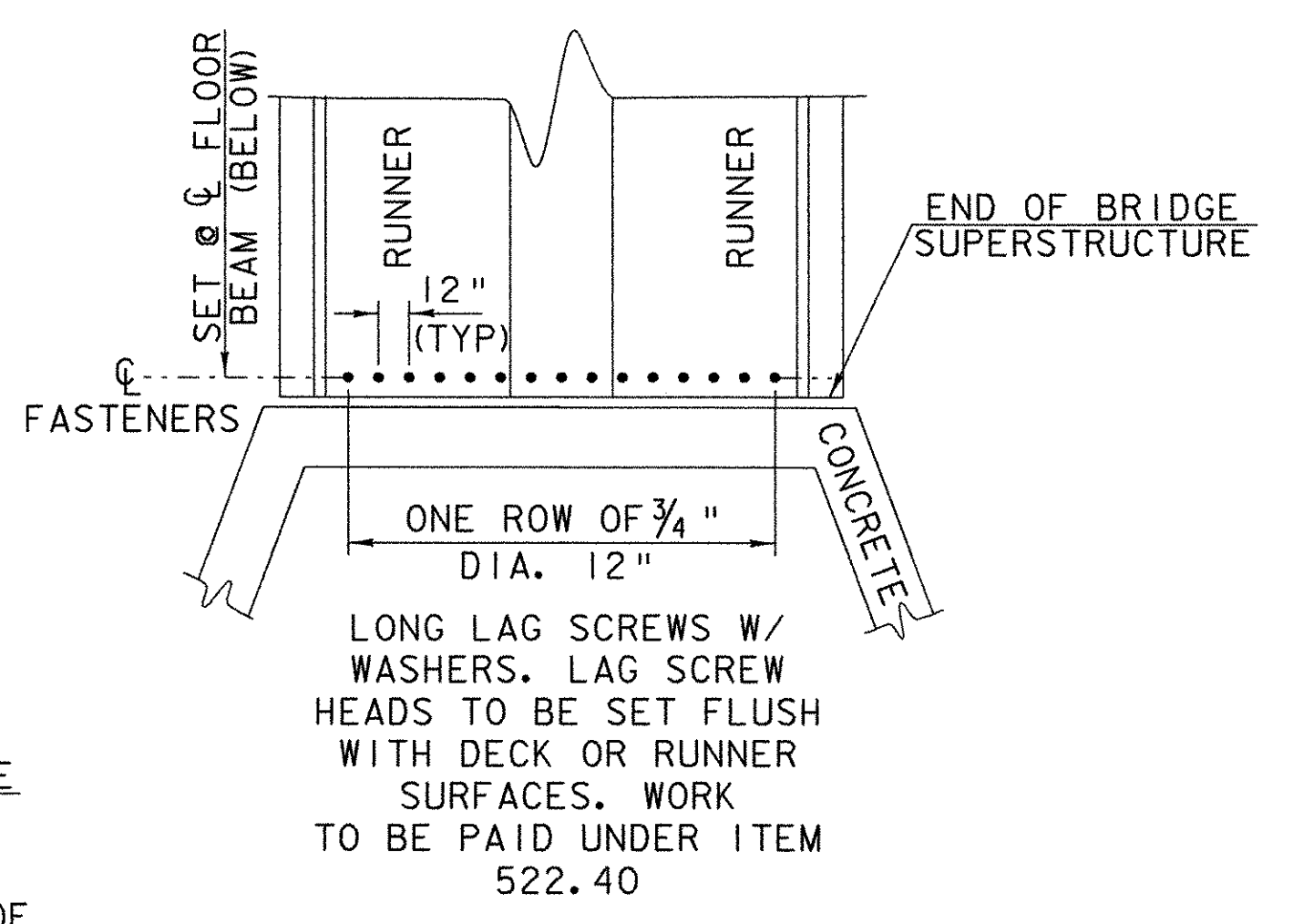
* NOTE: REBUILD AREA @ TOP OF WINGWALL: EST. 5'-0" x 15'-0"



RAILING PLAN N. T. S.



WOODSTOCK BHO 1444 (45)
C.B. 25 DETAILS



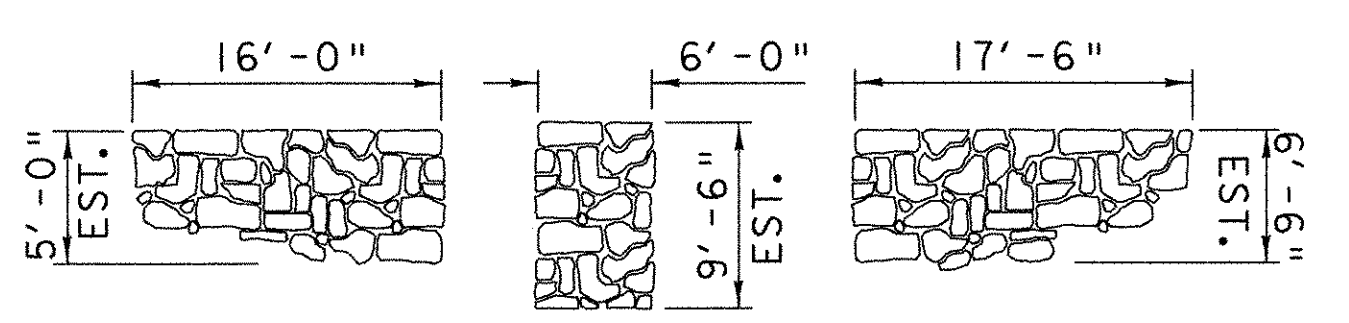
* USE TAMPING RODS OR OTHER METHODS ACCEPTABLE TO THE ENGINEER.

** FOR FURTHER INFORMATION SEE SECTION 602 OF THE PROJECT SPECIAL PROVISIONS.

WEST WINDSOR BHO 1444 (46)
C.B. 33 DETAILS

- NOTES:
1. ALL DETAILS ARE SCHEMATIC AND NOT TO SCALE
 2. ABUTMENT #2 IS LOCATED ON THE FAR SIDE OF THE STRUCTURE, WITH UPSTREAM TO THE LEFT OF THE VIEWER.
 3. ALL DIMENSIONS ARE APPROXIMATE AND SHALL BE VERIFIED BY THE CONTRACTOR.

WEST WINDSOR BHO 1444 (47)
C.B. 34 DETAILS



PROJECTS:	
SOUTHERN REGION	
DESIGN FILE NAME: 04j170/Structures/04j170det.dgn	PLOT DATE: 06-APR-2007
IPARM FILE NAME: 04j170det.i	DRAWN BY: J. WHITE
DESIGNED BY: J. WEAVER	CHECKED BY: J. WEAVER
DETAIL SHEET	SHEET: 6 OF 8