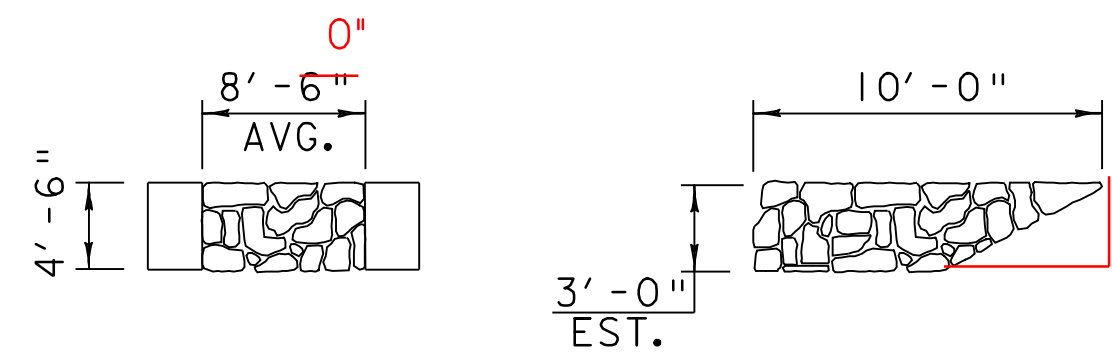
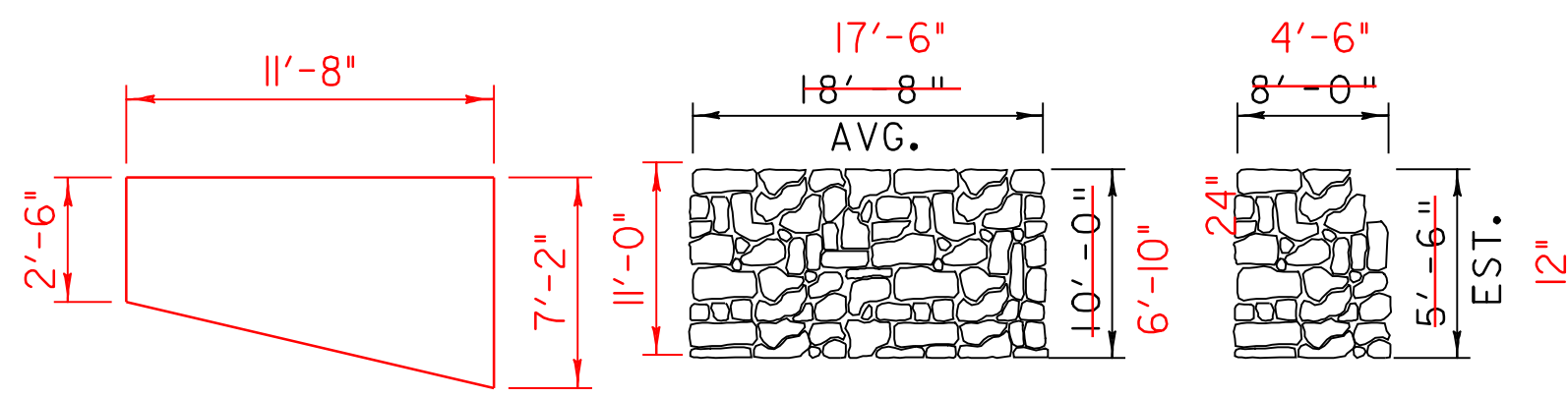


SCHEMATIC PLAN

* LIMITS OF HD STEEL BEAM GUARD RAIL (WEATHERING) (MOD. 2)

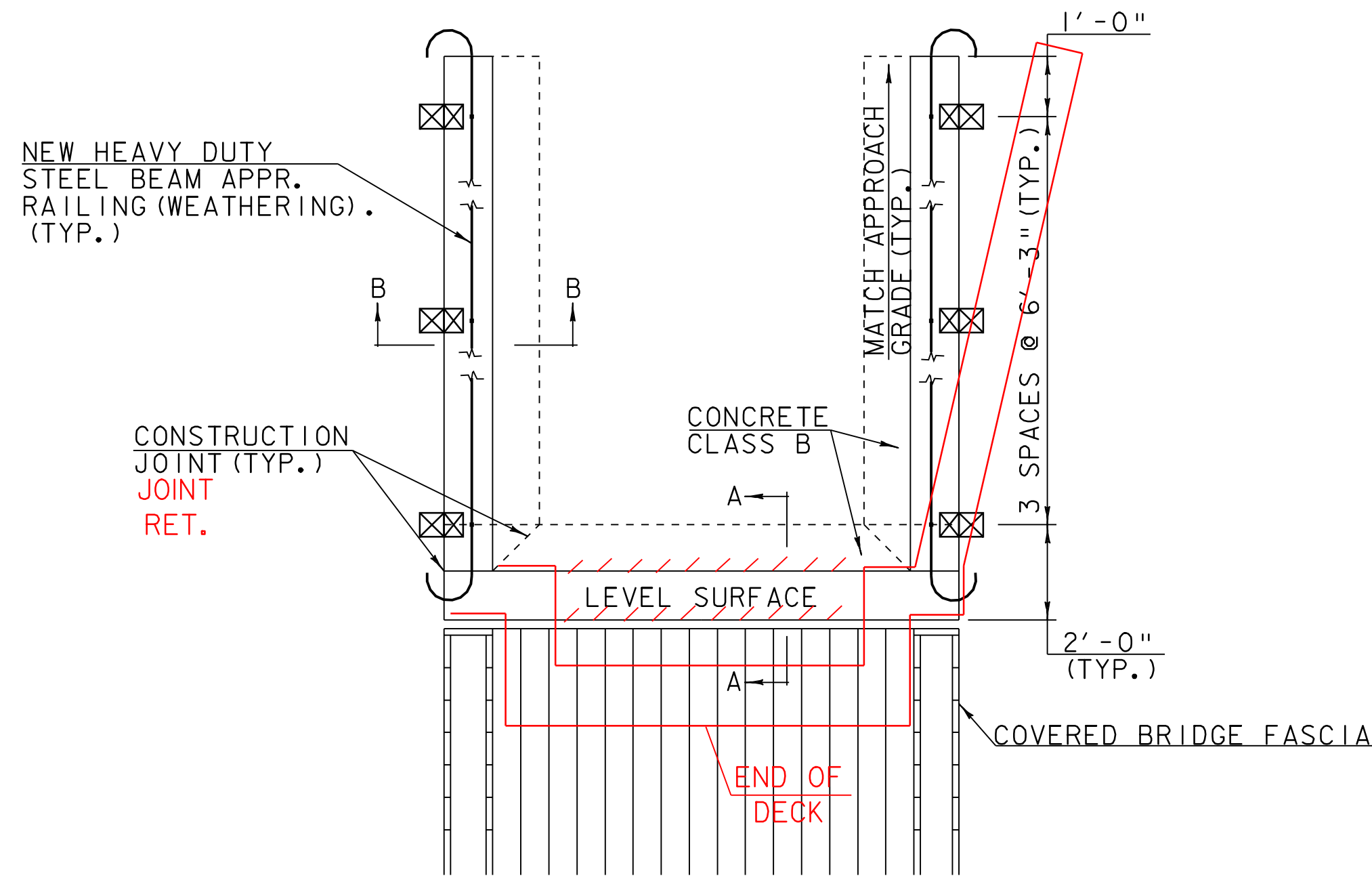


ABUTMENT #2 ELEVATIONS



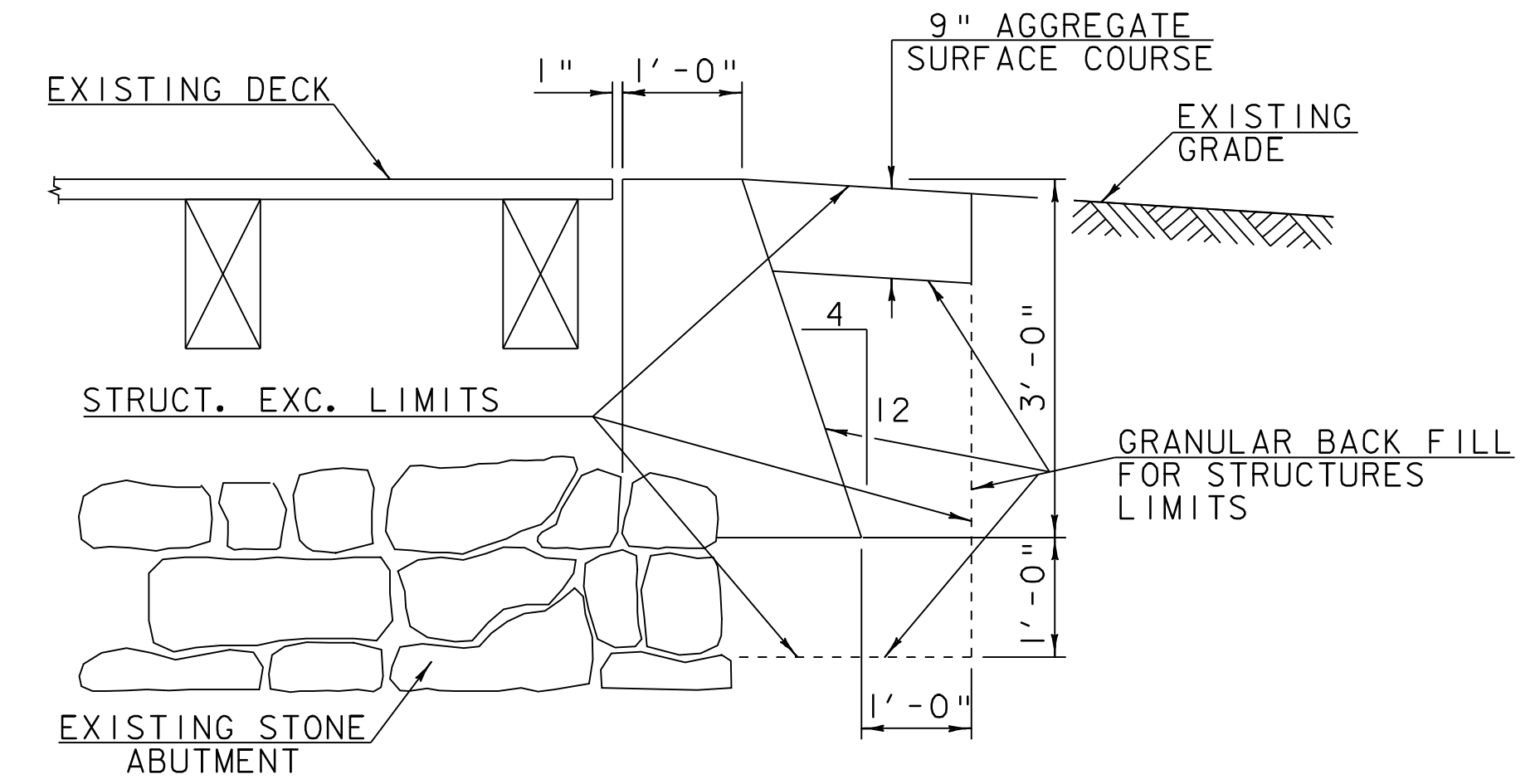
ABUTMENT #1 ELEVATIONS

CHELSEA BHO 1444 (49)
C.B. 46 DETAILS

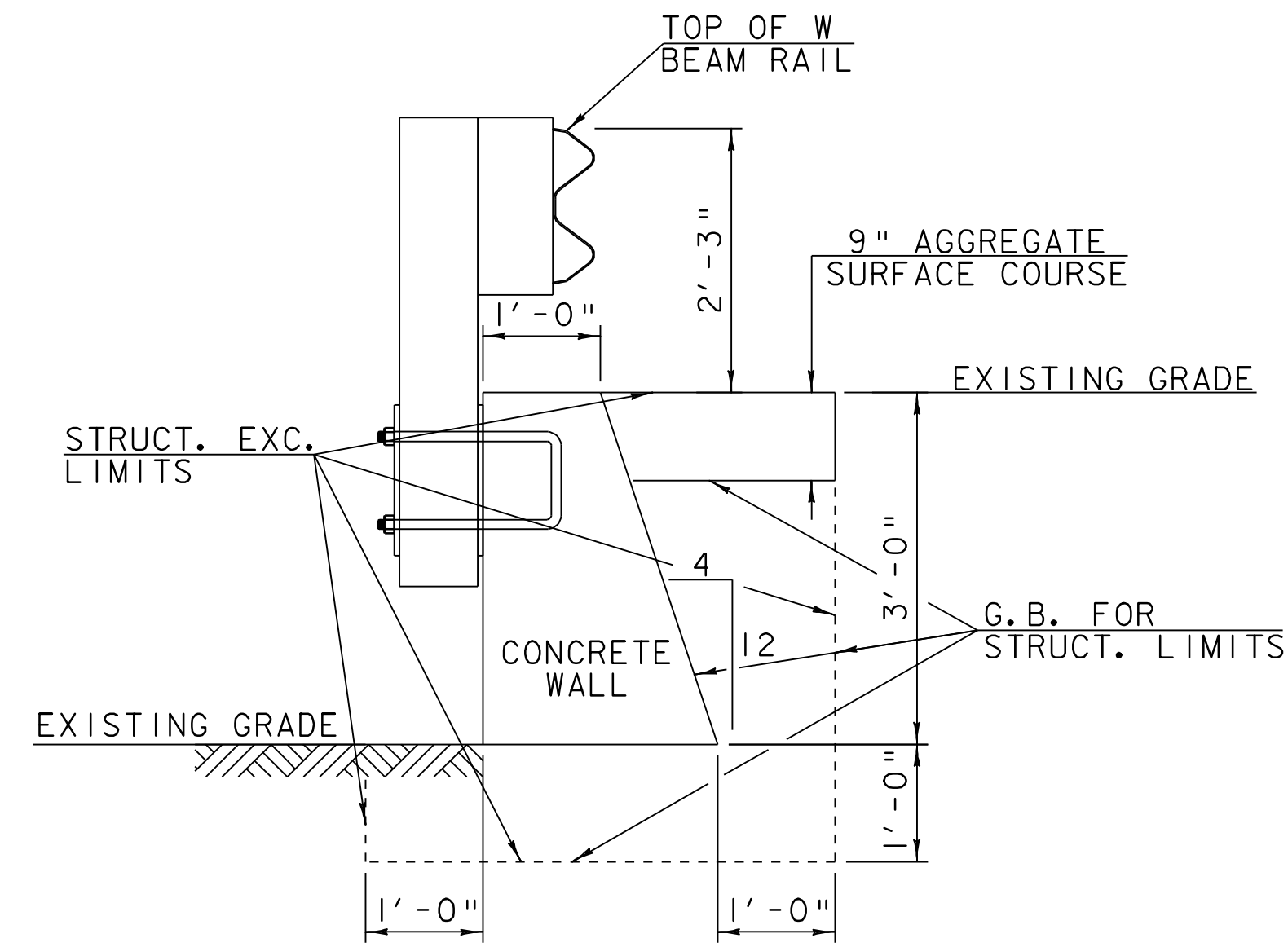


PLAN OF ABUTMENT #1 APPROACH

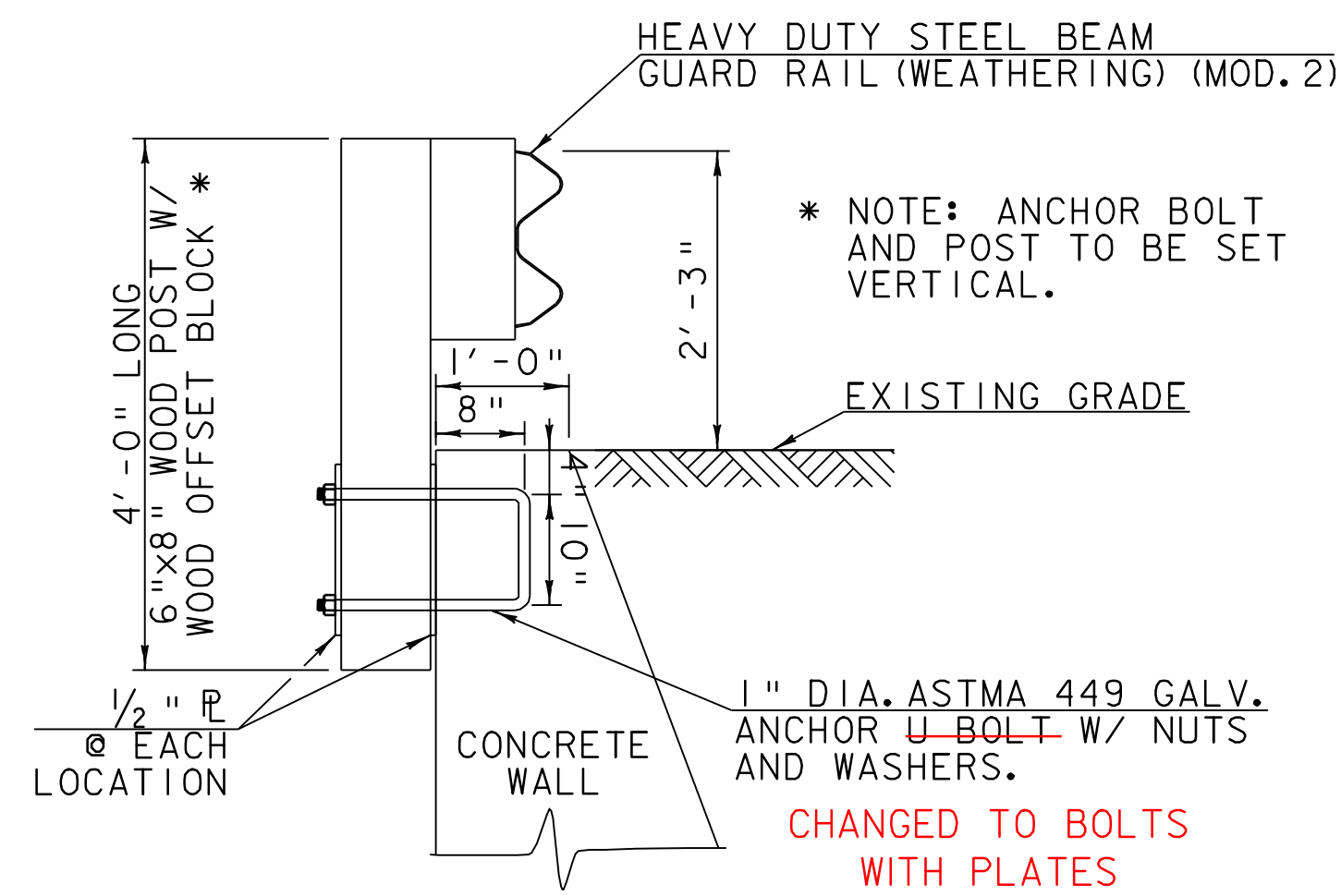
N. T. S.



SECTION A-A

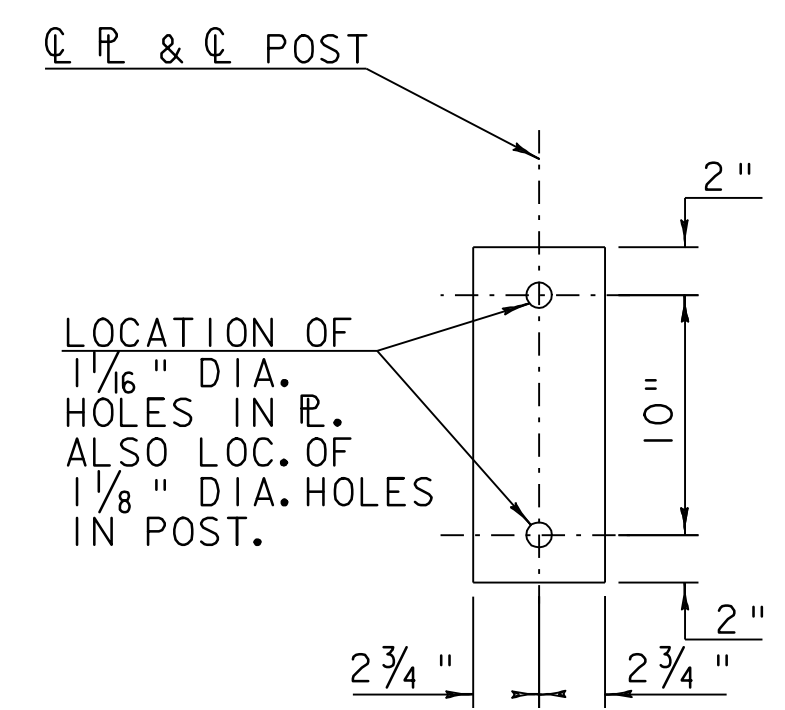


SECTION B-B



RAILING DETAIL

SCALE: 3/4" = 1'-0"



DETAIL 1/2" R

SCALE: 1/2" = 1'-0"

PROJECTS:	
CENTRAL REGION	
DESIGN FILE NAME: 04j160/Structures/04j160det.dgn	PLOT DATE: 27-JUN-2007 13:00
IPARM FILE NAME: 04j160det2.i	DRAWN BY: J. WHITE
DESIGNED BY: J. WEAVER	CHECKED BY: J. WEAVER
DETAIL SHEET 2	SHEET: 7 OF 9