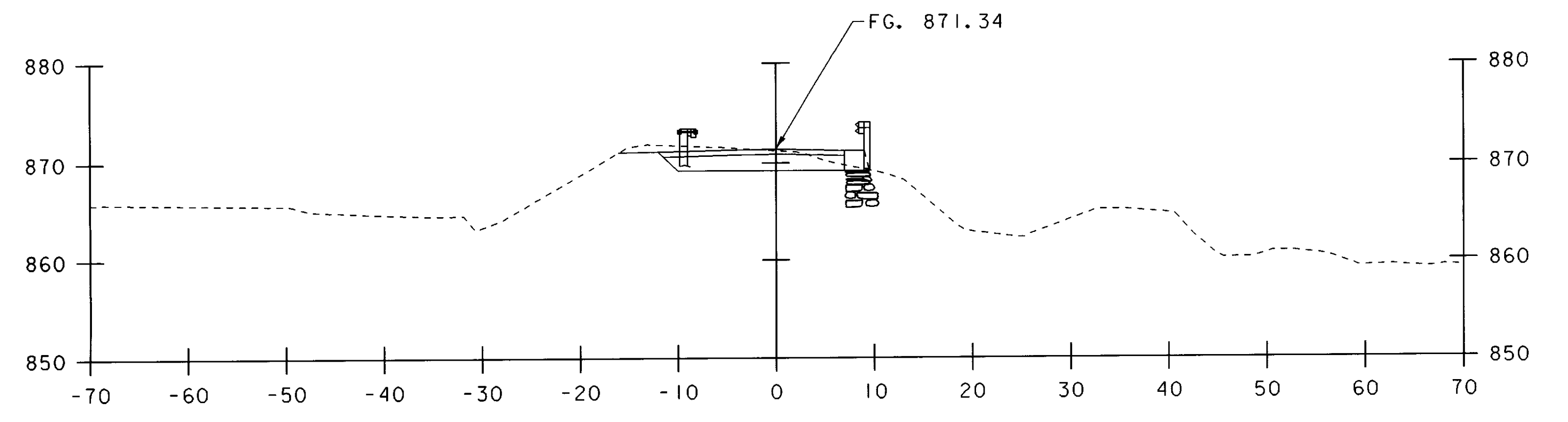
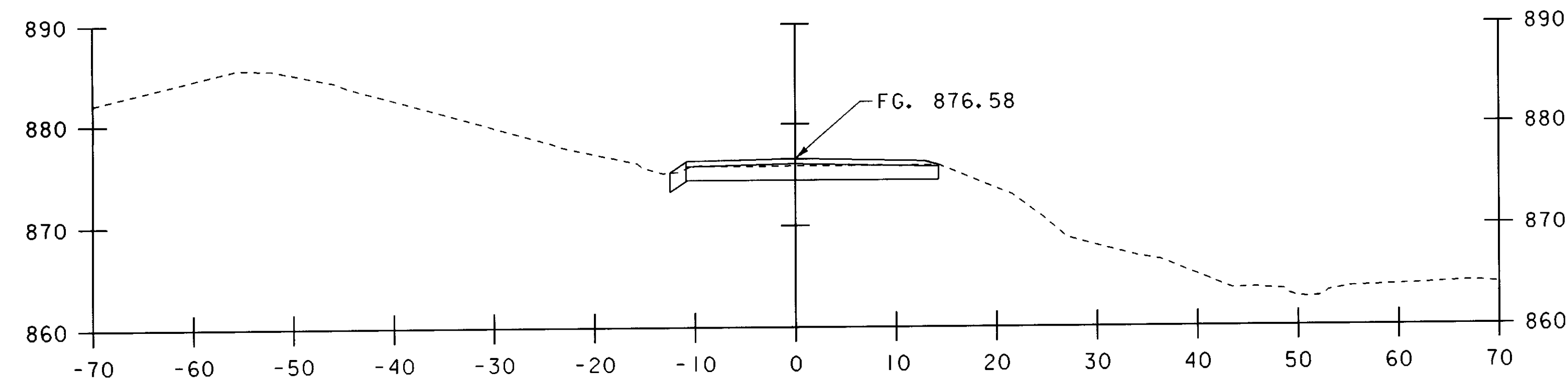


I+35

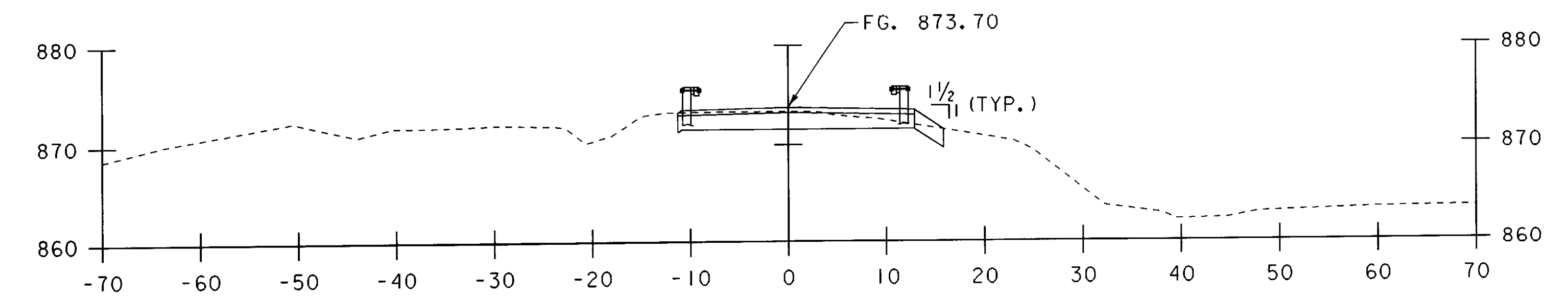


I+75

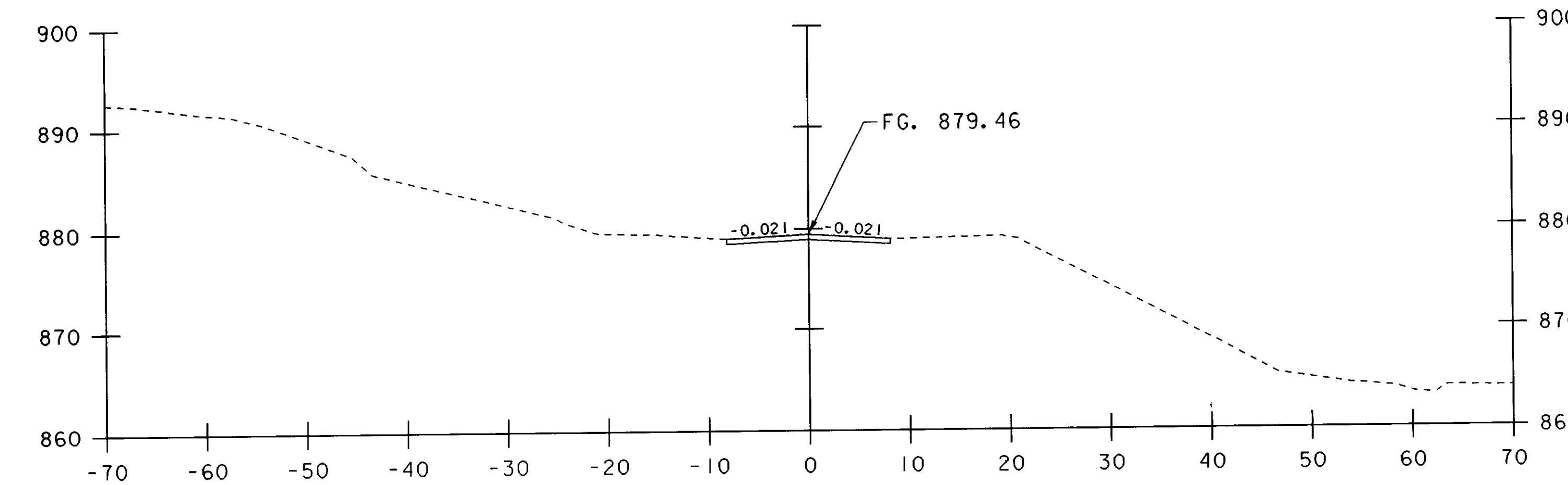


I+25

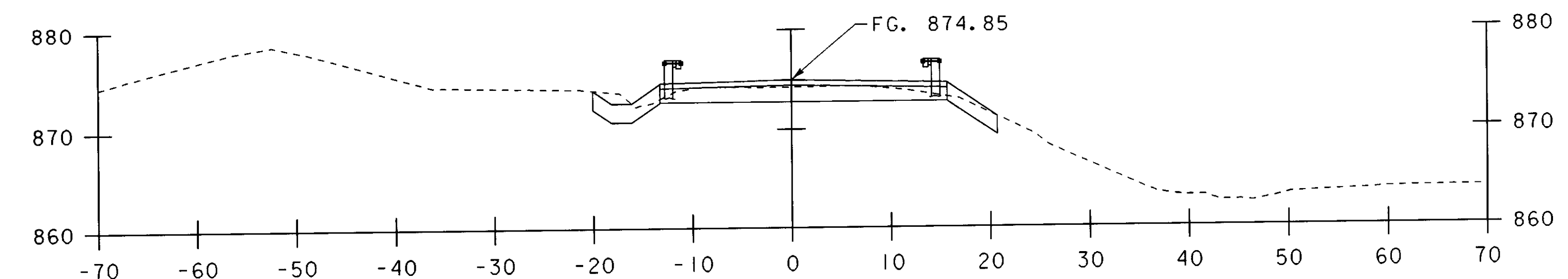
END APPROACH & BEGIN PROJECT STA. I+23.32



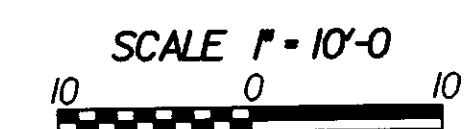
I+50



BEGIN APPROACH STA. I+00



I+40



PROJECT NAME: MONTGOMERY	PLOT DATE: 21-MAY-2008
PROJECT NUMBER: BHO 1448 (37)	DRAWN BY: J. TREI
FILE NAME: s04j148xs	CHECKED BY: J. WEAVER
PROJECT LEADER: J. WEAVER	SHEET 32 OF 33
DESIGNED BY: J. WEAVER	
ROADWAY CROSS SECTIONS	