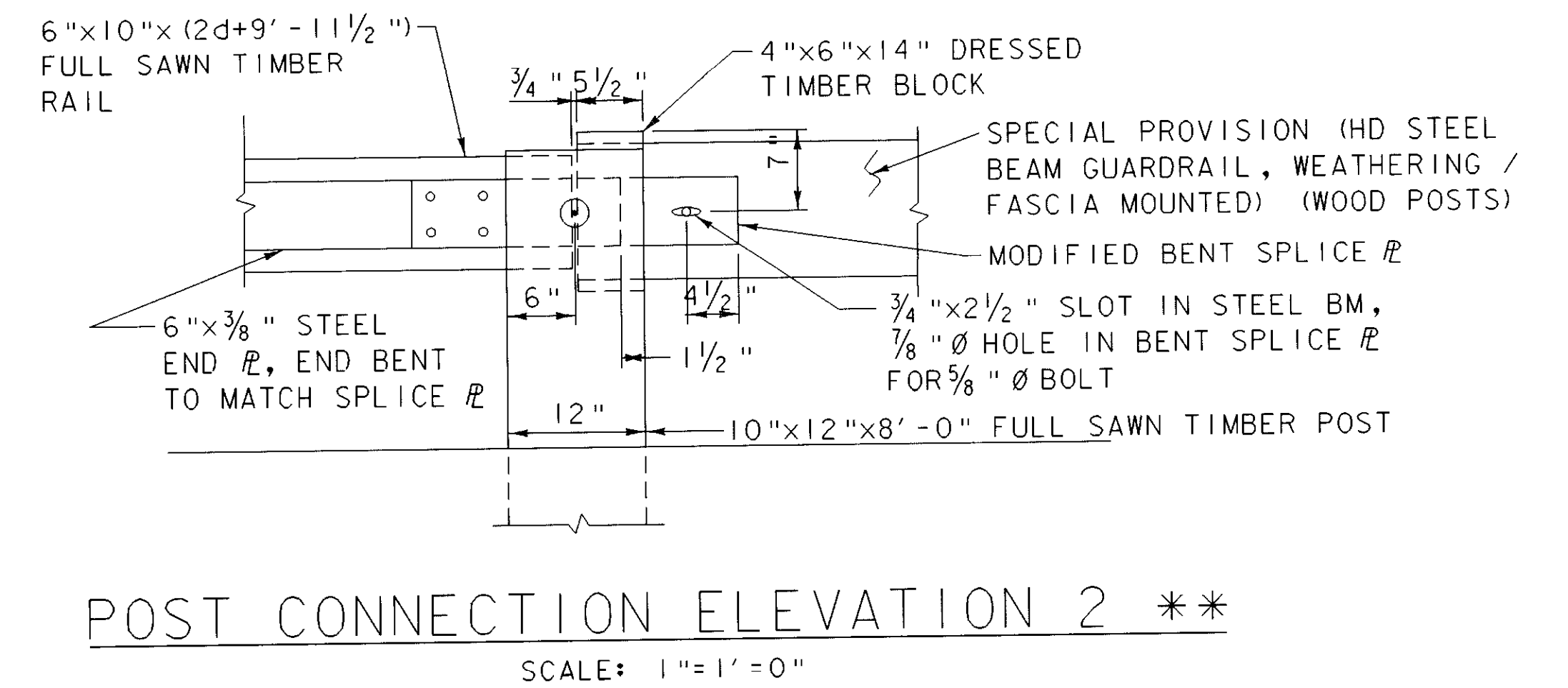
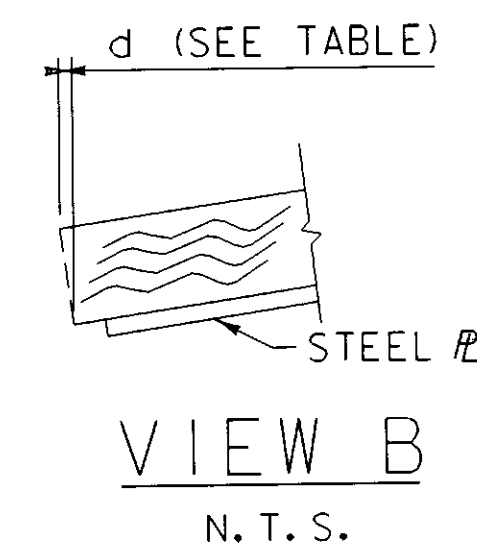
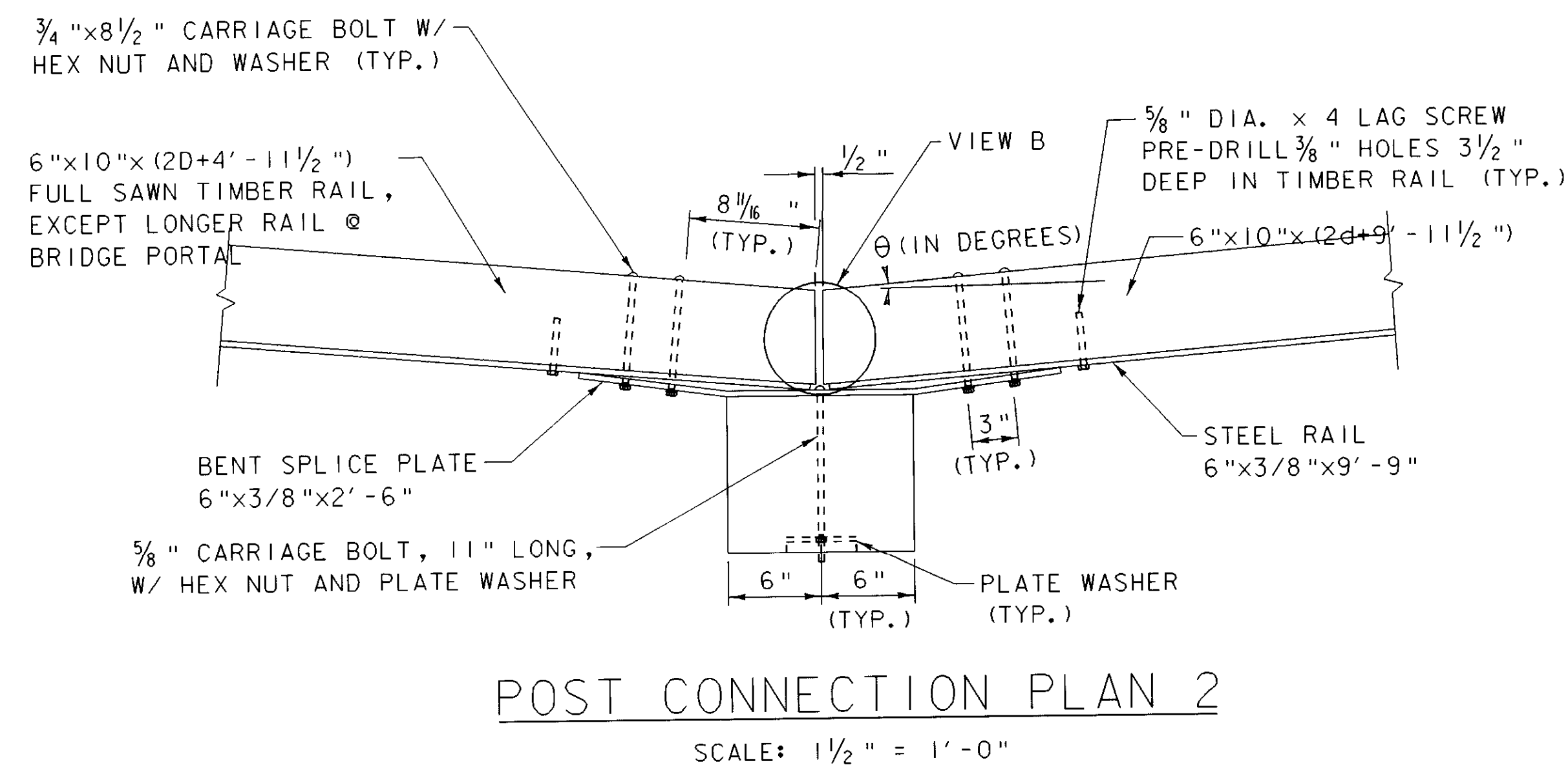
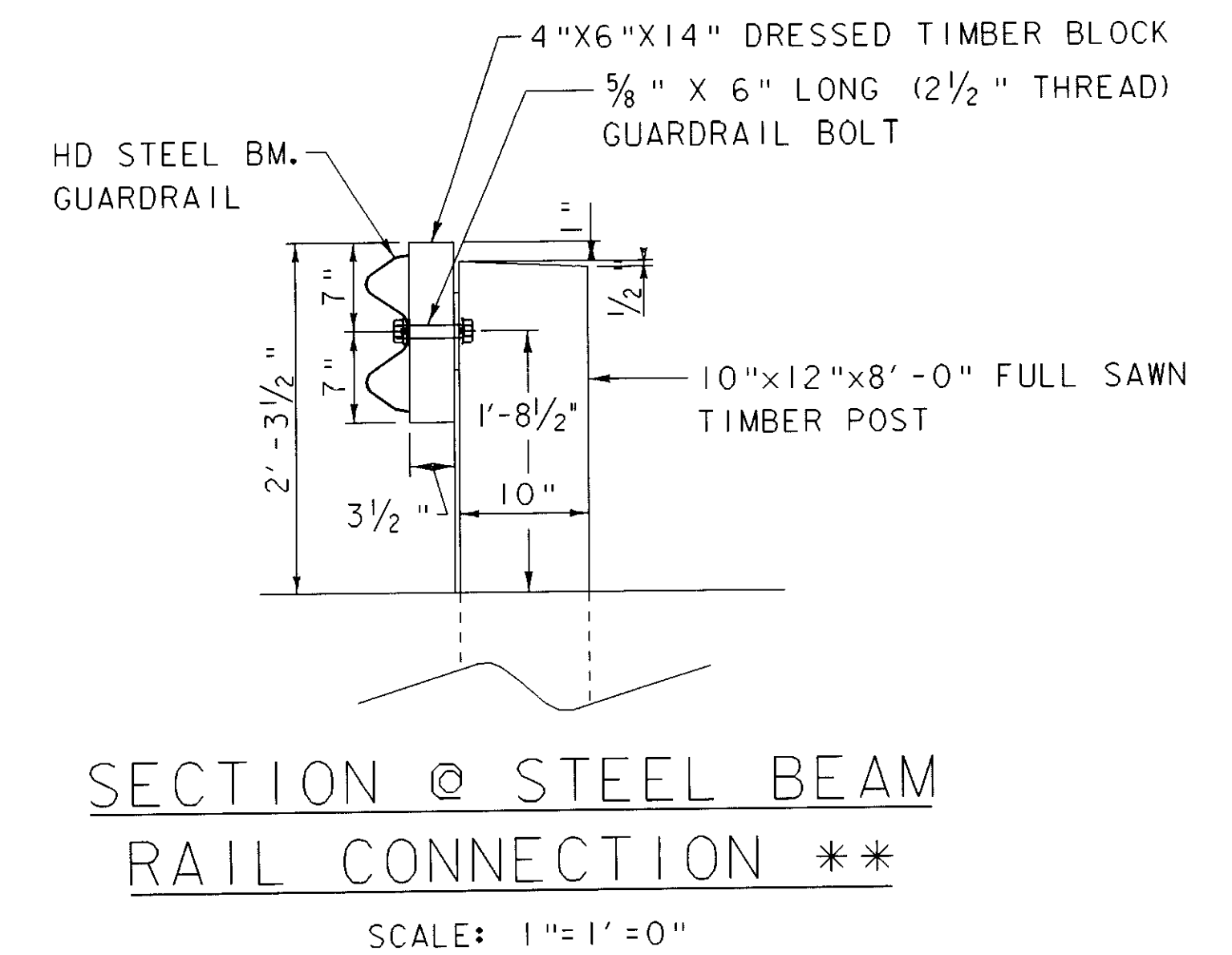
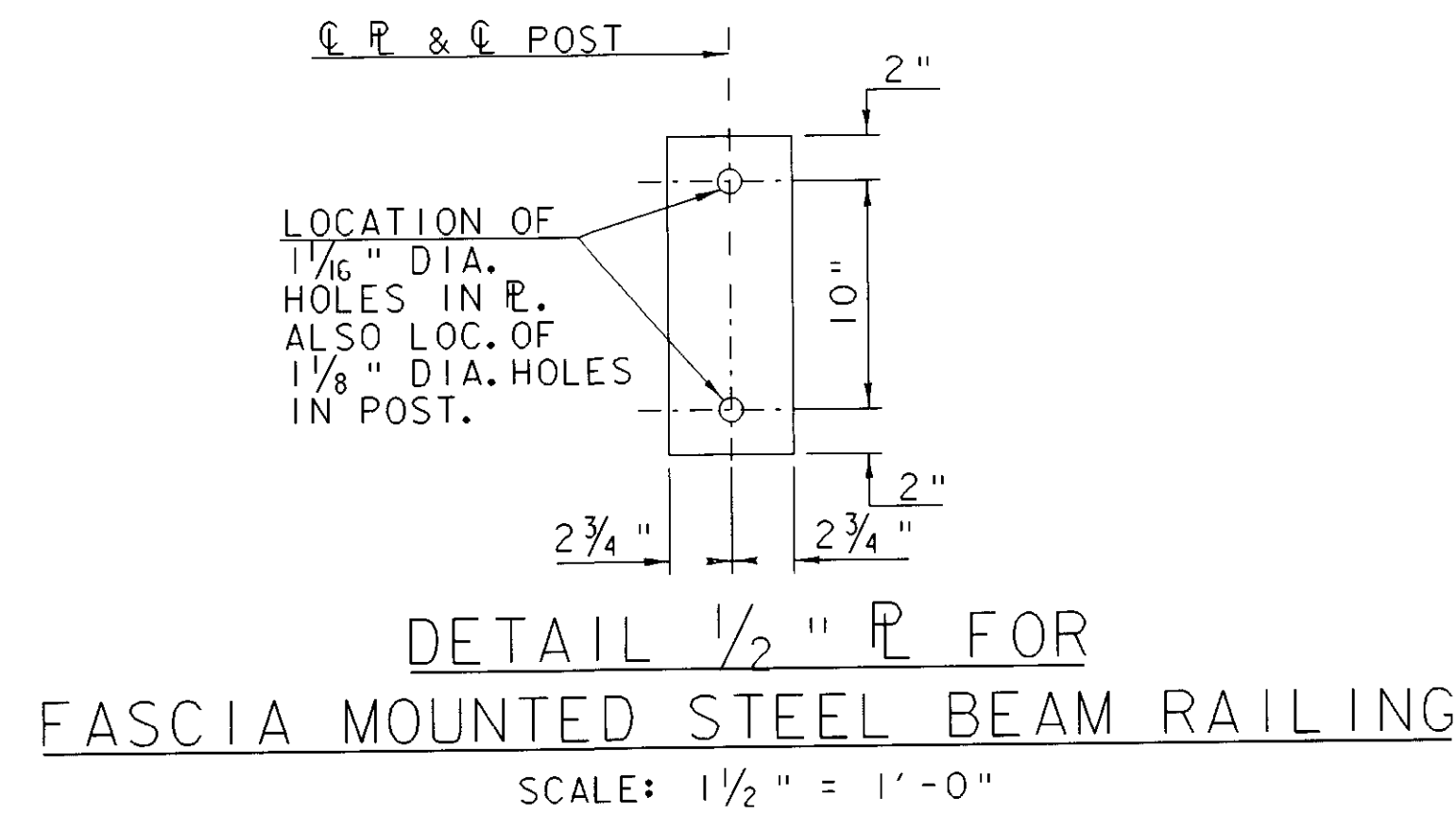
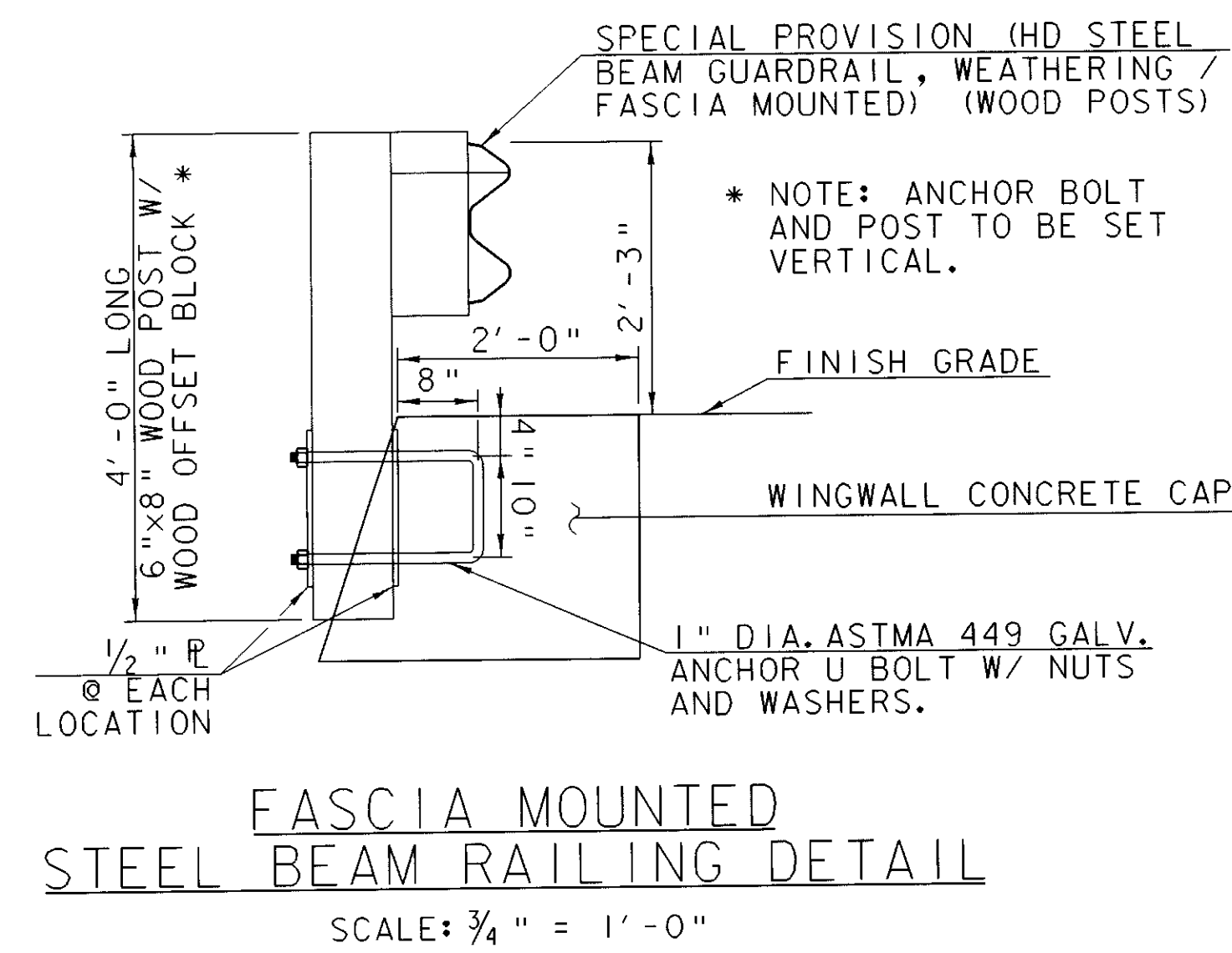
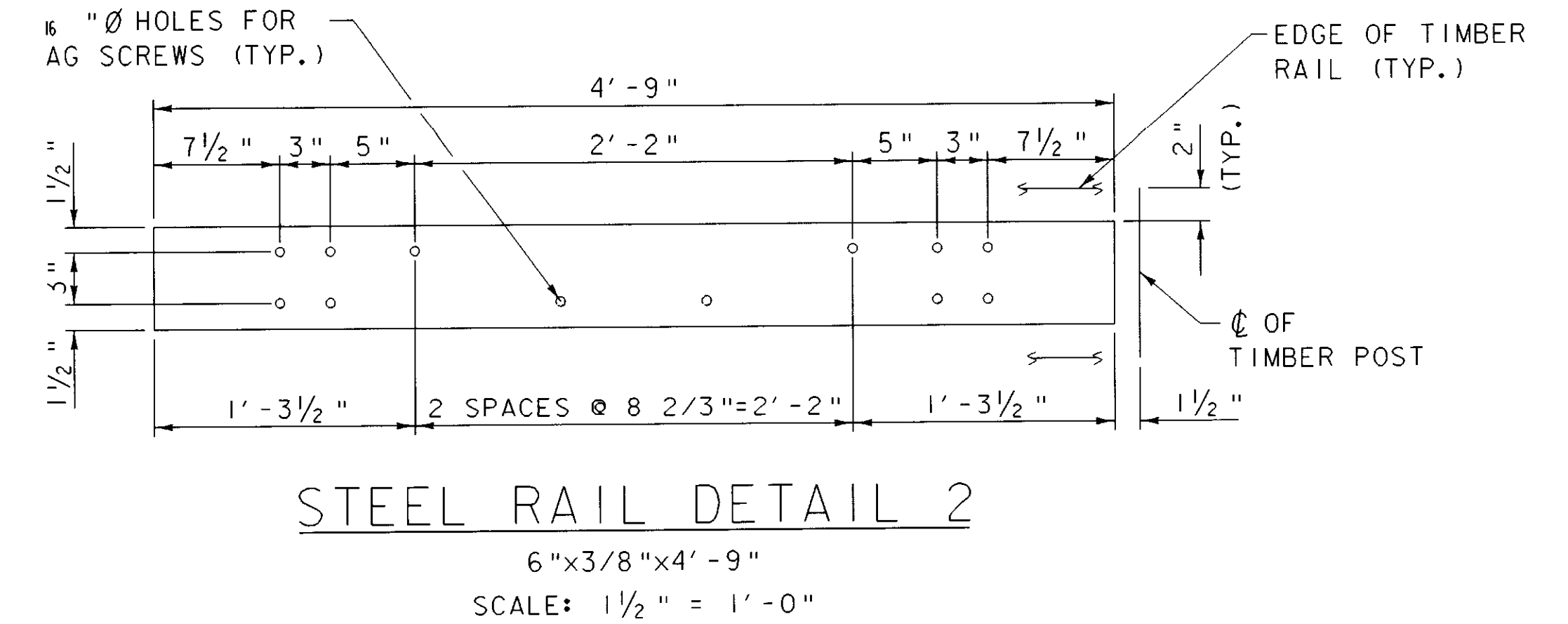
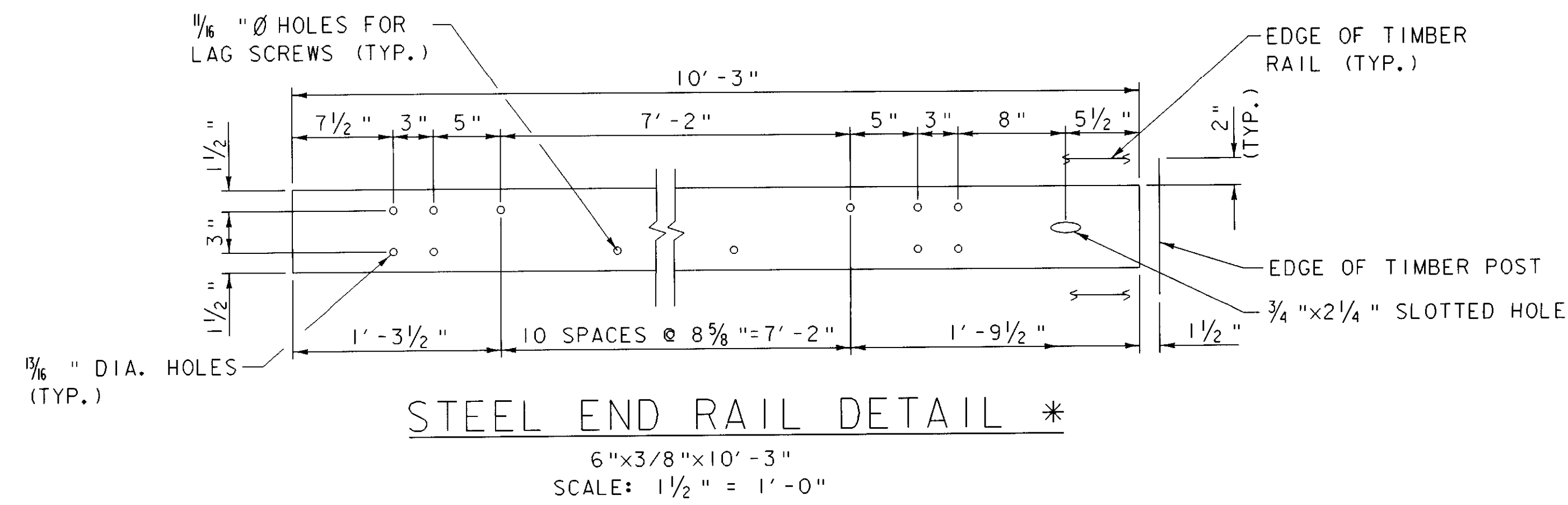


\* END RAIL @ STEEL BM. RAIL CONN. SIMILAR



\*\* FOR ADDITIONAL GUARDRAIL DETAILS SEE STD. G-1

PROJECT NAME: MONTGOMERY	FILE NAME: s04j148dtl.dgn	PLOT DATE: 21-MAY-2008
PROJECT NUMBER: BHO 1448(37)	PROJECT LEADER: J. WEAVER	DRAWN BY: J. TREI
	DESIGNED BY: J. WEAVER	CHECKED BY: J. WEAVER
	GUARDRAIL DETAIL SHEET 2	SHEET 24 OF 33