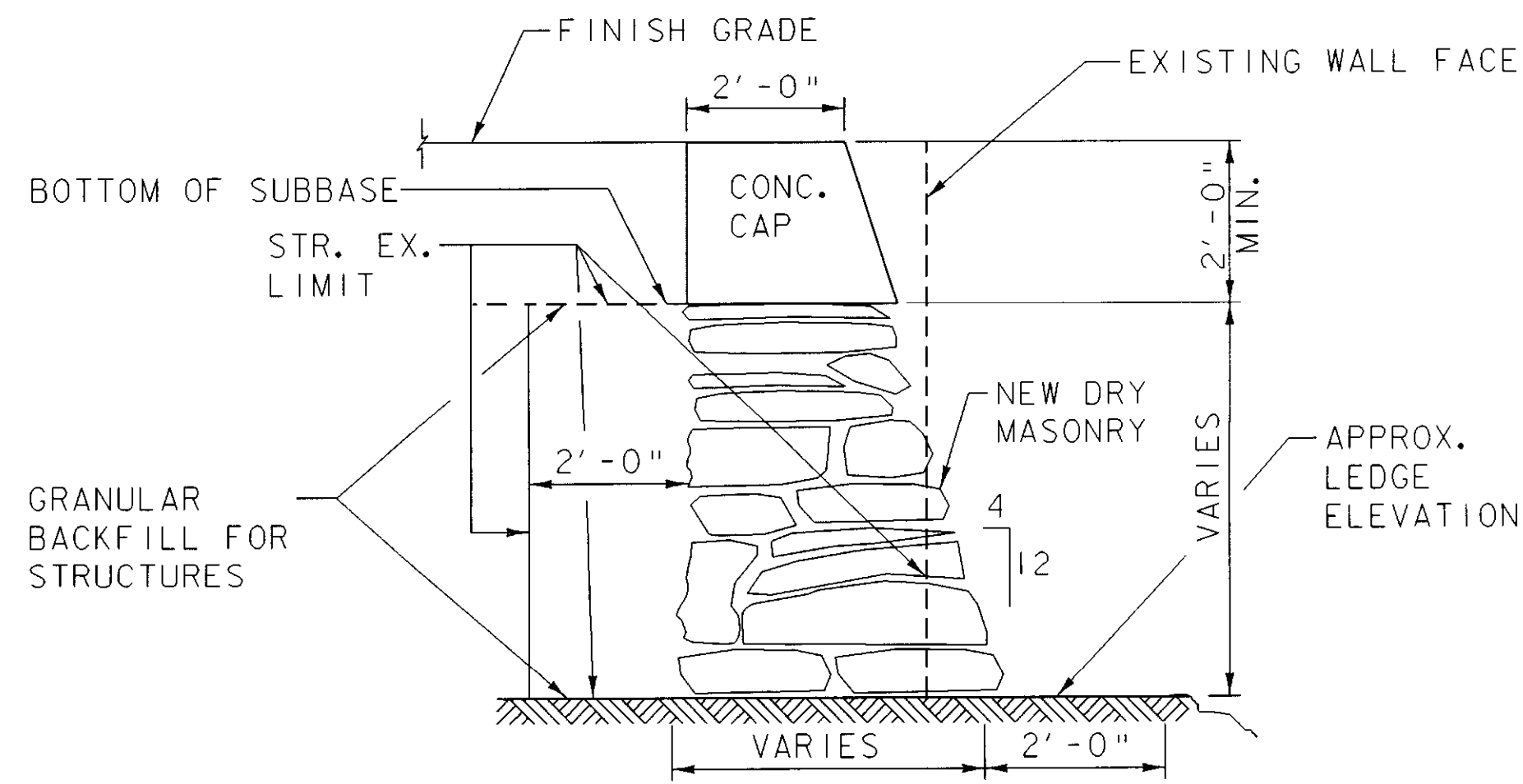


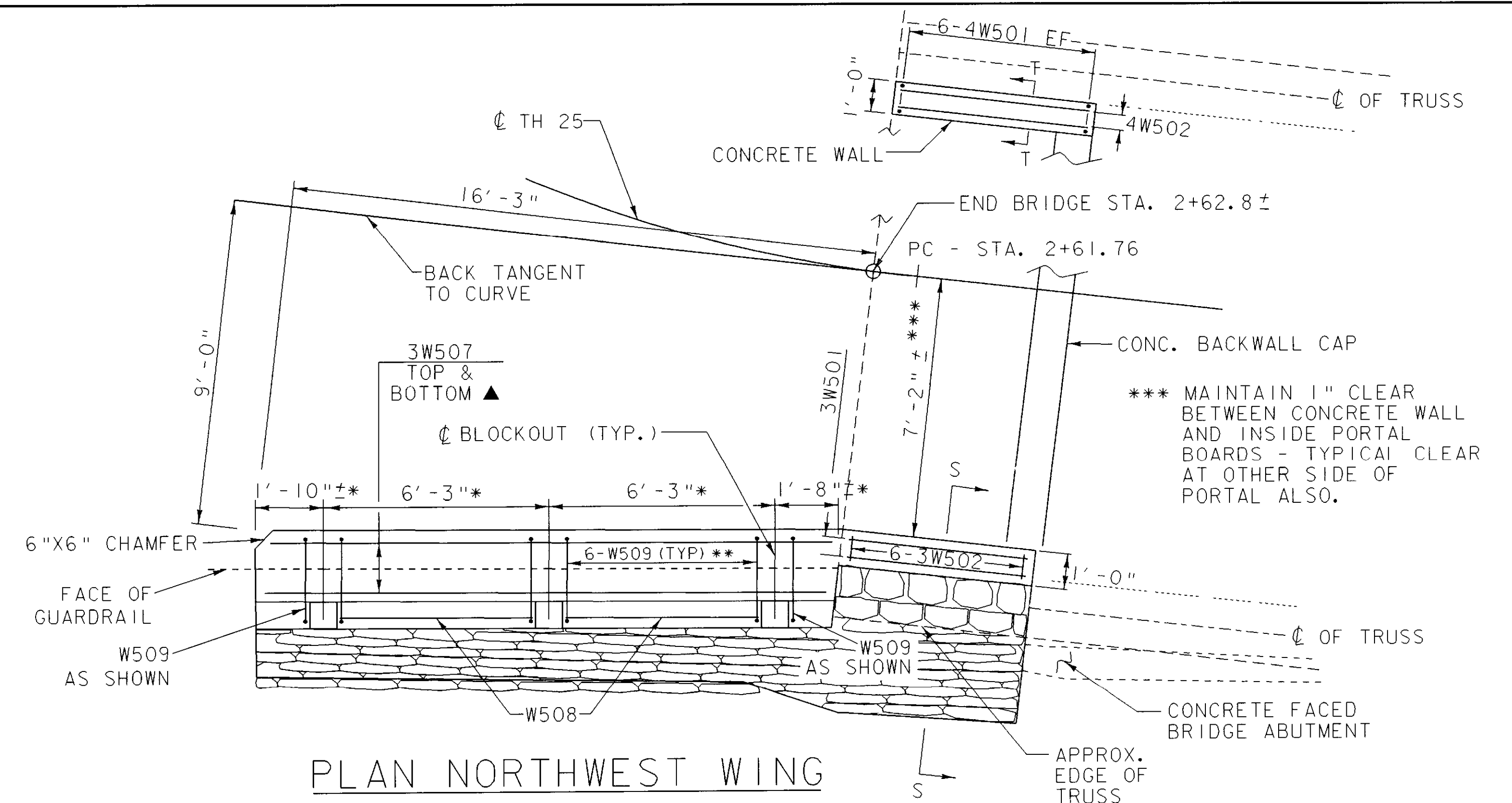
TYPICAL SECTION
NEW STONE WING N.W.

SCALE: 1/2" = 1'-0"
(SIMILAR DETAILS @ WALL SECTION S-S AREA)



TYPICAL EARTHWORK SECTION
NEW STONE WING N.W.

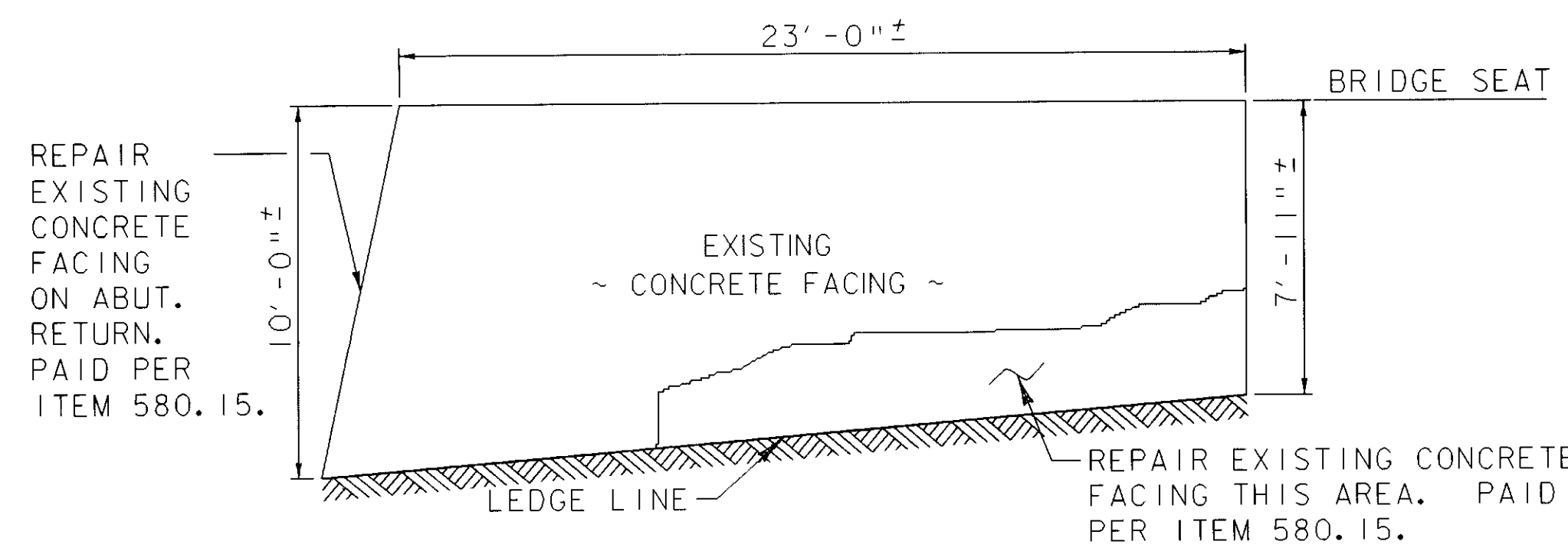
SCALE: 1/2" = 1'-0"



PLAN NORTHWEST WING

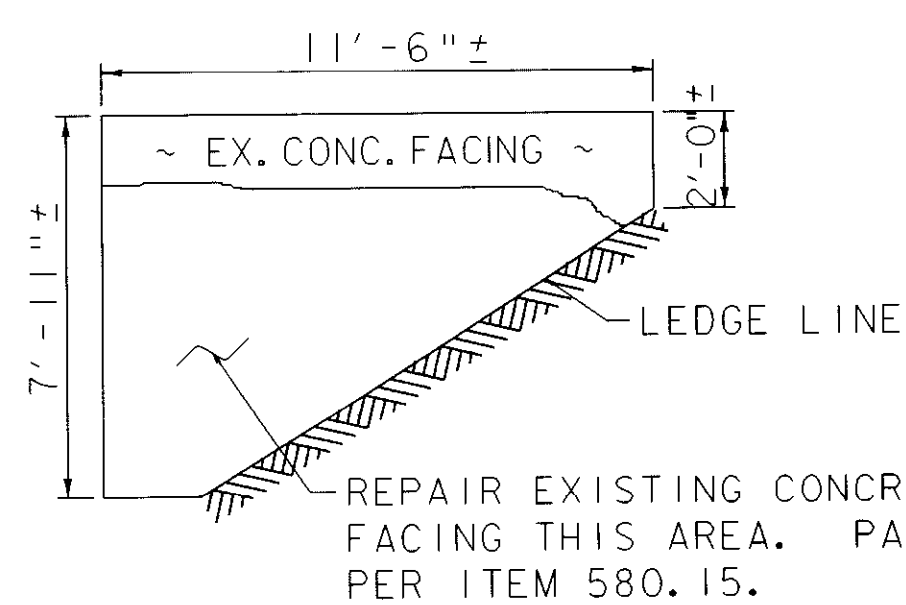
SCALE: 3/8" = 1'-0"

* DIMENSIONS @ FACE OF GUARDRAIL
** BAR SPACING @ FACE OF GUARDRAIL



ELEVATION NORTH ABUTMENT

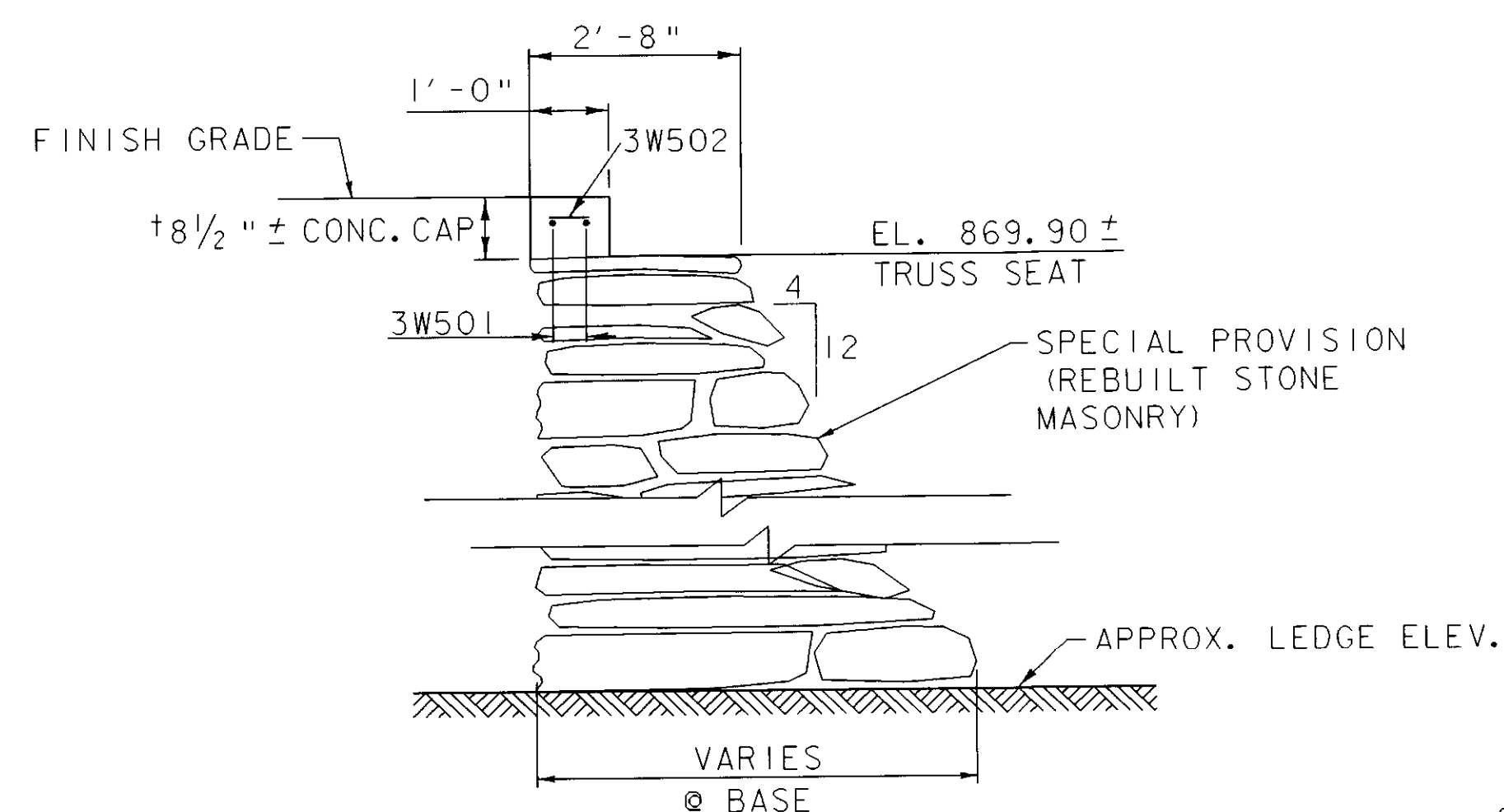
SCALE: 1/4" = 1'-0"



ELEVATION N.E. WING

SCALE: 1/4" = 1'-0"

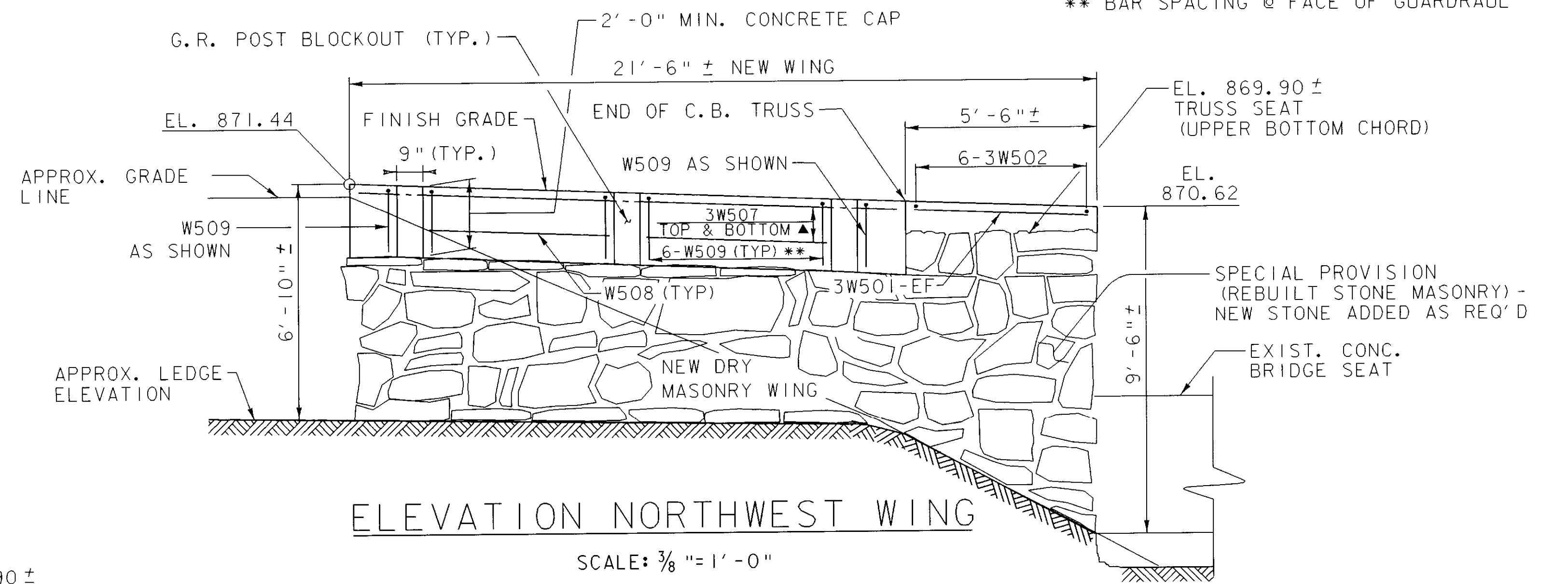
ALL BARS ARE #5s @ 12" UNLESS OTHERWISE NOTED
▲ DENOTES BARS TO BE CUT IN FIELD
MINIMUM CLEARANCE: 3" FROM ALL SURFACES, EXCEPT WHERE NOTED



SECTION S-S

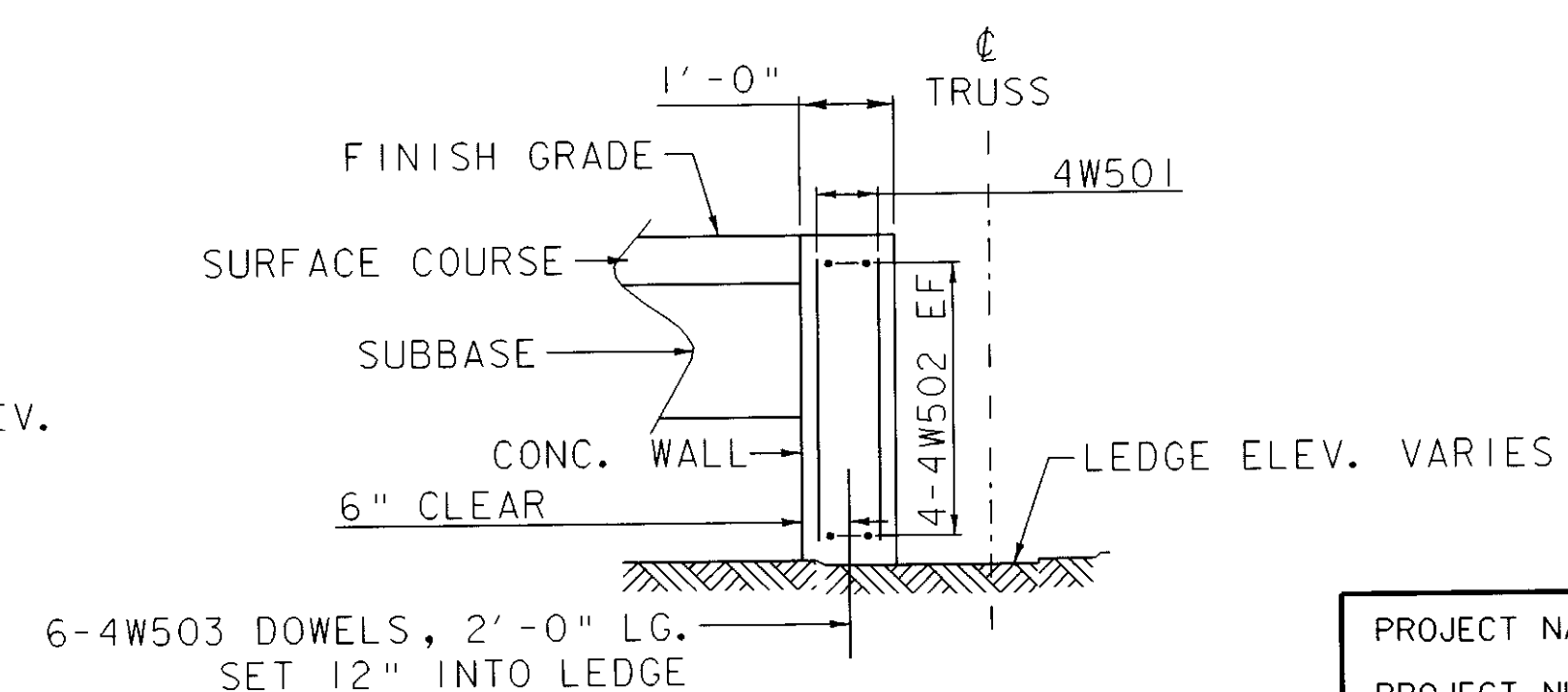
SCALE: 1/2" = 1'-0"

† CONCRETE CAP @ NORTHEAST PORTAL SIMILAR



ELEVATION NORTHWEST WING

SCALE: 3/8" = 1'-0"



SECTION T-T

SCALE: 1/2" = 1'-0"

6-4W503 DOWELS, 2'-0" LG. SET 12" INTO LEDGE

PROJECT NAME: MONTGOMERY
PROJECT NUMBER: BHO 1448 (37)

FILE NAME: s04j148d1.dgn
PROJECT LEADER: J. WEAVER
DESIGNED BY: J. WEAVER
CONSTRUCTION DETAIL SHEET 7

PLOT DATE: 21-MAY-2008
DRAWN BY: J. TREI
CHECKED BY: J. WEAVER
SHEET 22 OF 33